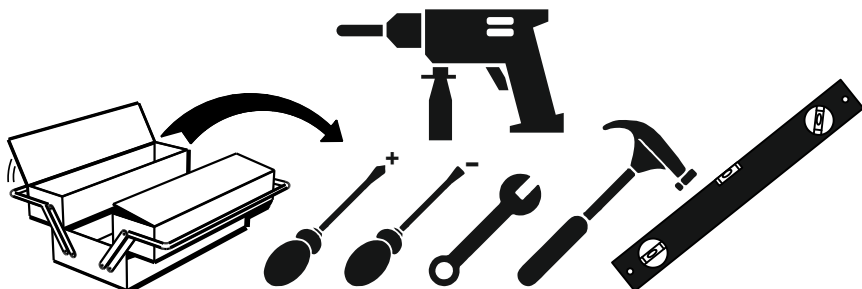
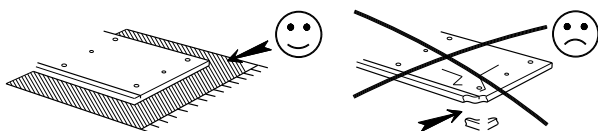
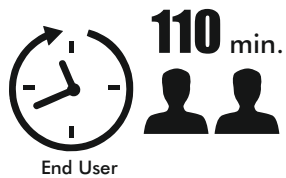
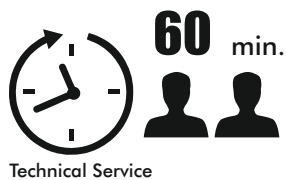
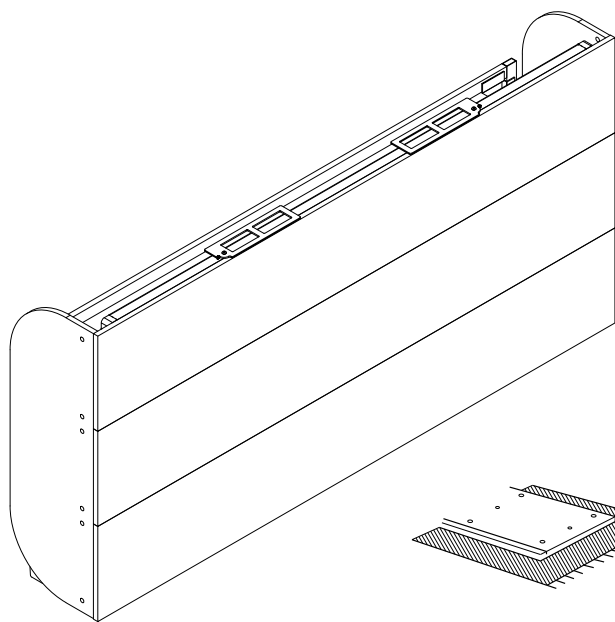


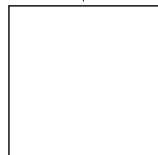


MULTIMO

751-SIMPLE 90 CM



VIDEO

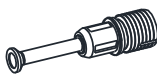




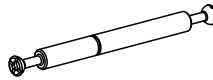

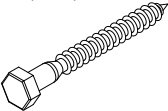
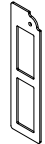
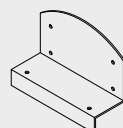
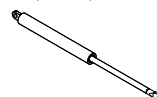
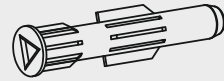


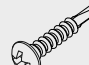


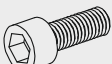
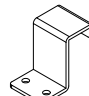
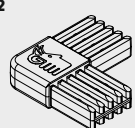

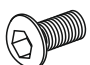
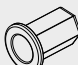
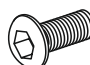


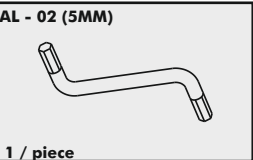
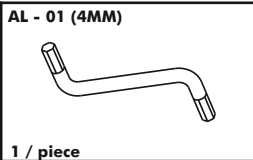
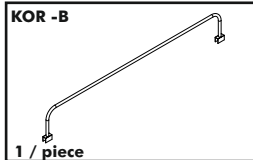
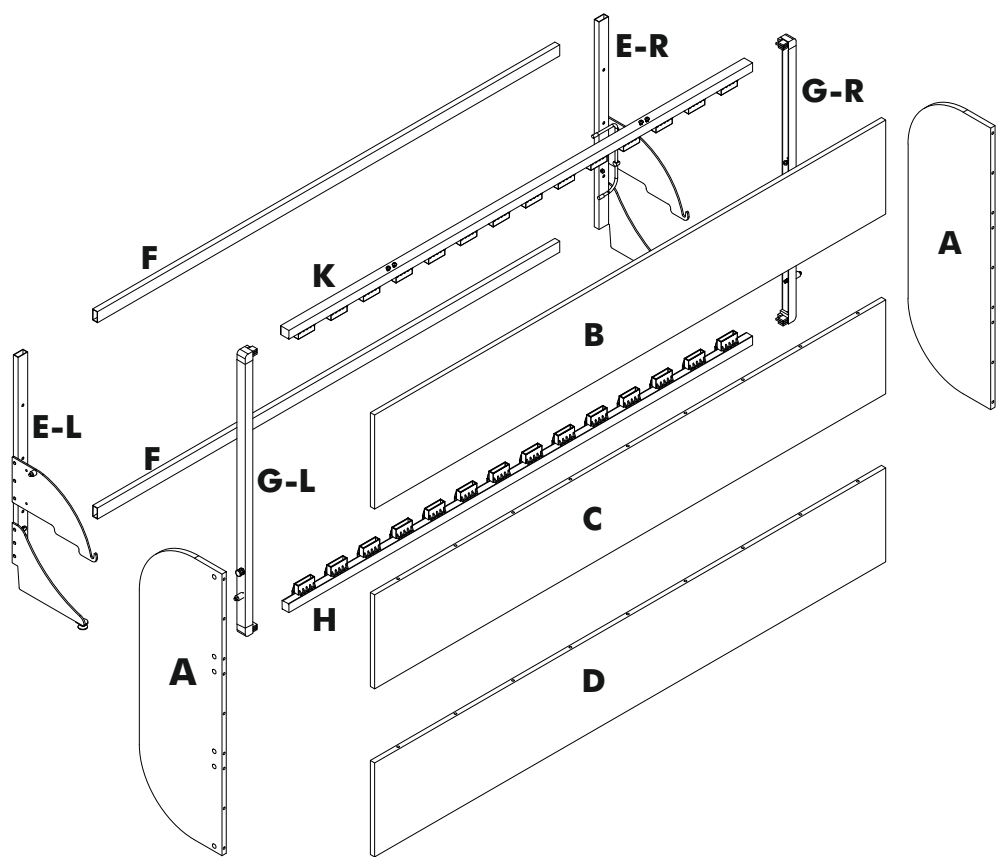
link

Assembly Instructions

Track Title	Piece	(inch)			(mm)			
		Thickness	Length	Width	Piece	Thick	Height	Most
A	2	0,71	36,14	13,58	2	18	918	345
B	1	0,71	84,17	12,09	1	18	2138	307
C	1	0,71	84,17	12,09	1	18	2138	307
D	1	0,71	84,17	12,09	1	18	2138	307
E-R / E-L	2		31,30		2		795	
F	2		75,98		2		1930	

Accessories List

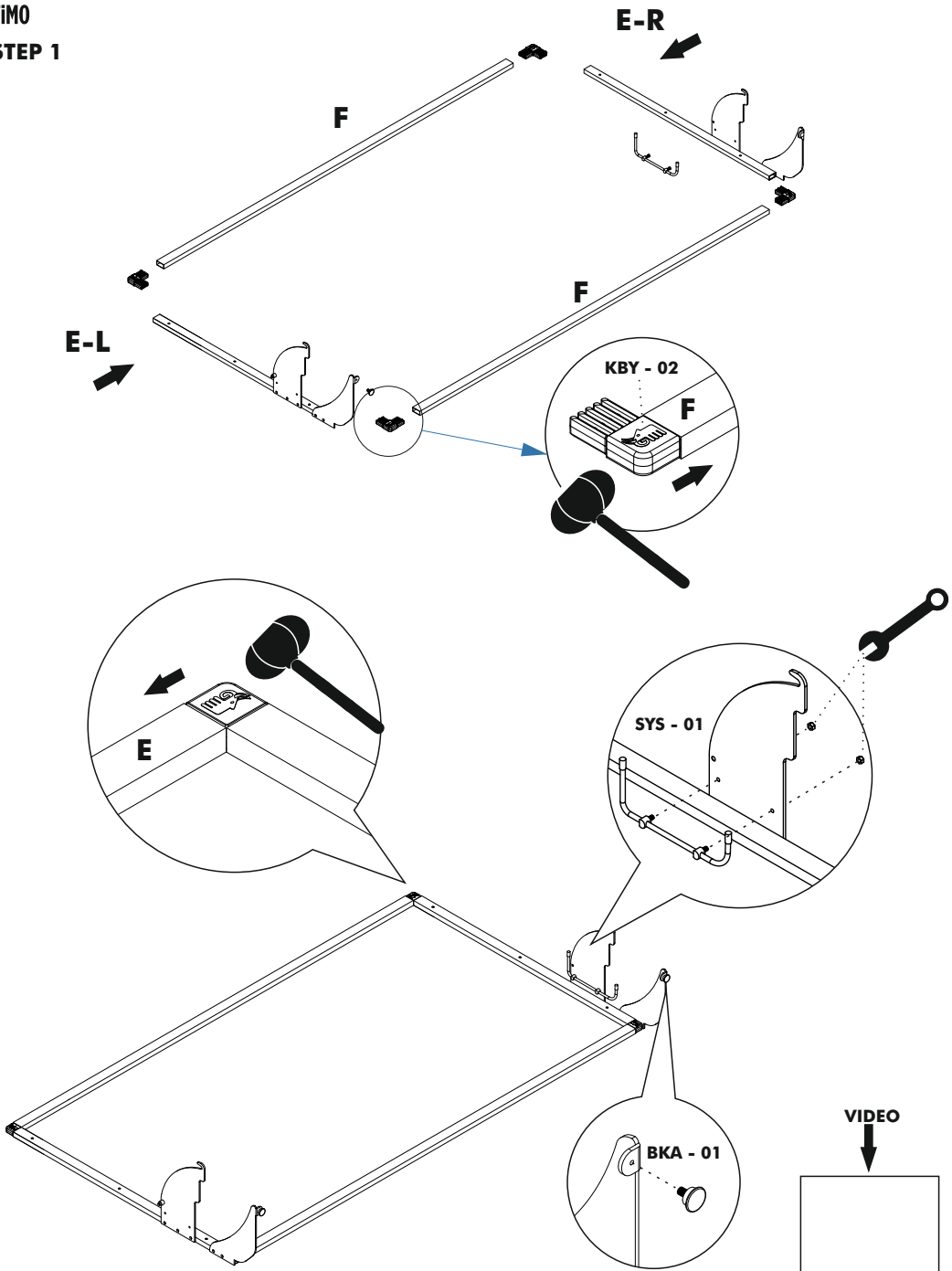
MXN 02  12 / piece	MNG - 01  32 / piece	KVL 01  14 / piece	TAP - 01  32 / piece
SG - 01  4 / piece	MNX - 03  10 / piece	VTB - 02 (4,2x16) mm  36 / piece	TFC - 01(8x70) mm  12 / piece
SC-79  2 / piece	SC-78  2 / piece	AMR 03 (300 N)  2 / piece	DD - 01 (R10)  12 / piece
BKA - 01  2 / piece	PL - 04 (5x12x0,7) mm  4 / piece	YSB - 01 (3,9x16) mm  4 / piece	SC-98  2 / piece
KCE - 01  4 / piece	IM - 02 (6x20) mm  4 / piece	SC-110  14 / piece	KBY- 02  4 / piece
SYS-01  1 / piece	CTM - 01 (6x10) mm  4 / piece	SKT 01  4 / piece	CTM - 04 (8x25) mm  4 / piece



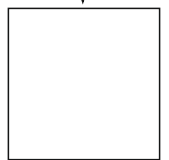


MULTIMO

STEP 1



VIDEO



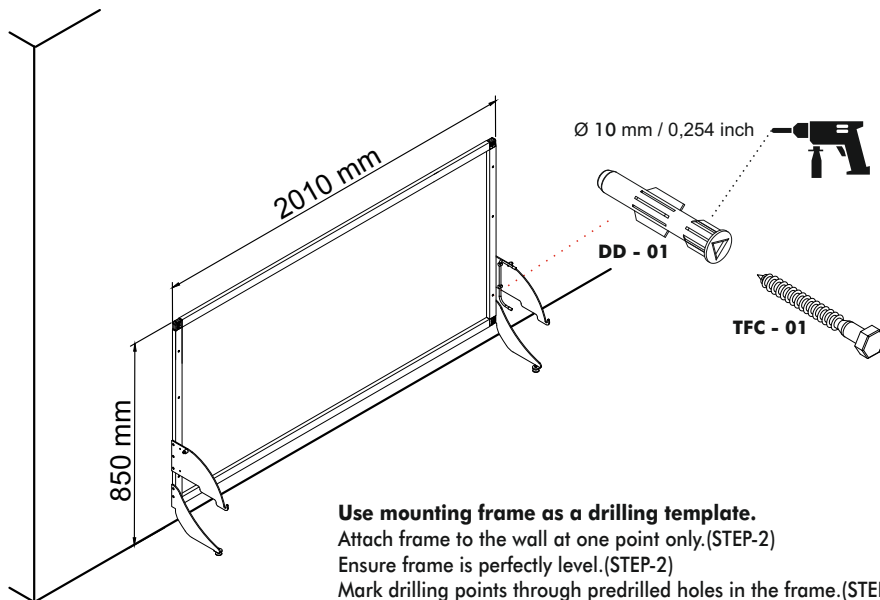
link



ATTENTION!!!

Must be secured to the wall made of brick, concrete or similarly strong material.
Mounting to wooden or metal studs is also acceptable.
Do not mount directly to sheetrock or paper-mache type walls not supported by studs.

STEP 2



Use mounting frame as a drilling template.

Attach frame to the wall at one point only.(STEP-2)

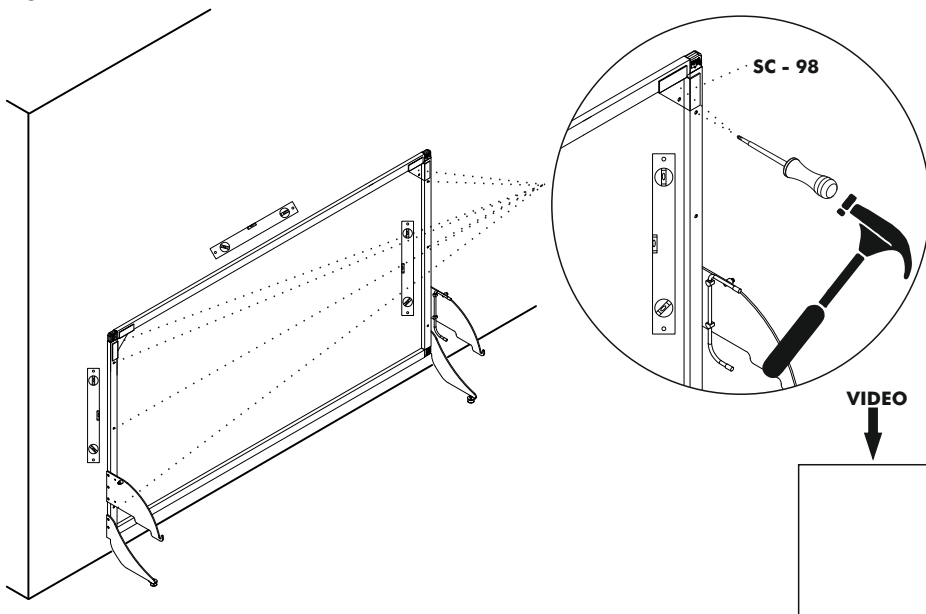
Ensure frame is perfectly level.(STEP-2)

Mark drilling points through predrilled holes in the frame.(STEP-3)

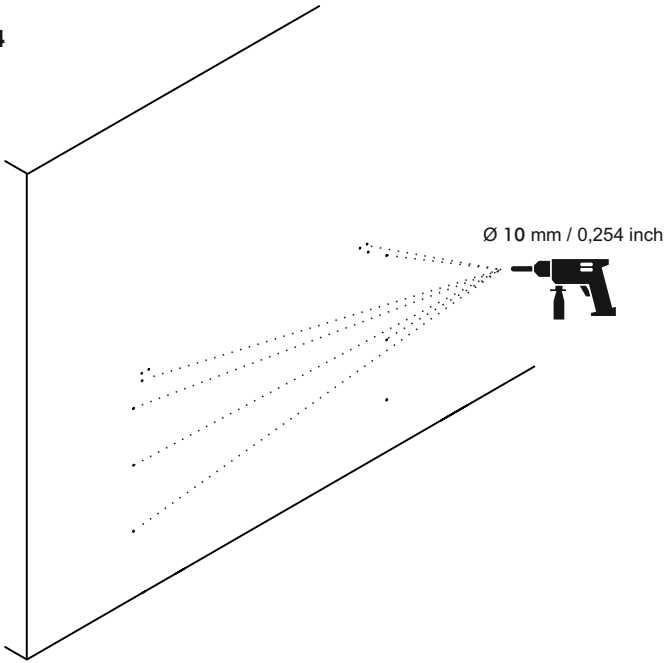
Remove frame from the wall and drill pilot holes in the wall.(STEP-4)

Attach frame to the wall using supplied hardware.(STEP-5-6)

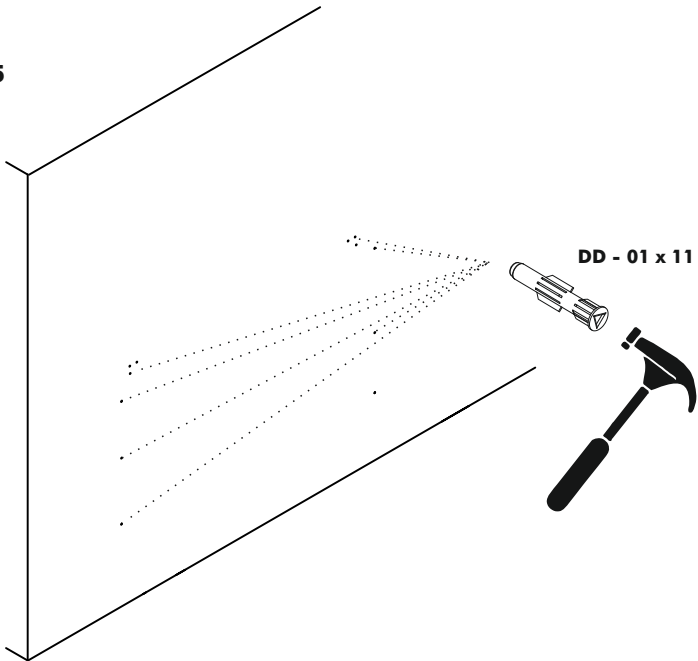
STEP 3



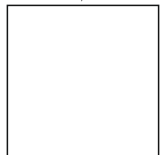
STEP 4



STEP 5

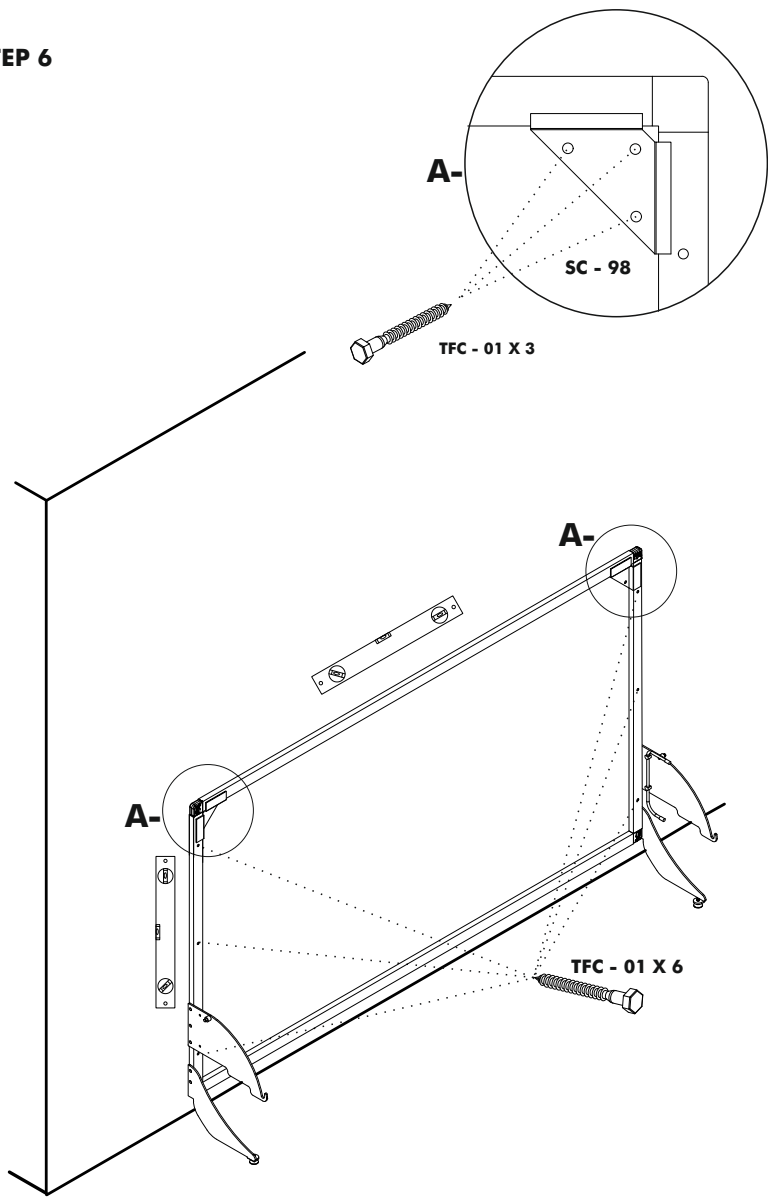


VIDEO

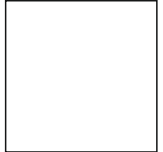


link

STEP 6



VIDEO

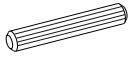


link

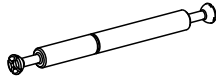
STEP 7



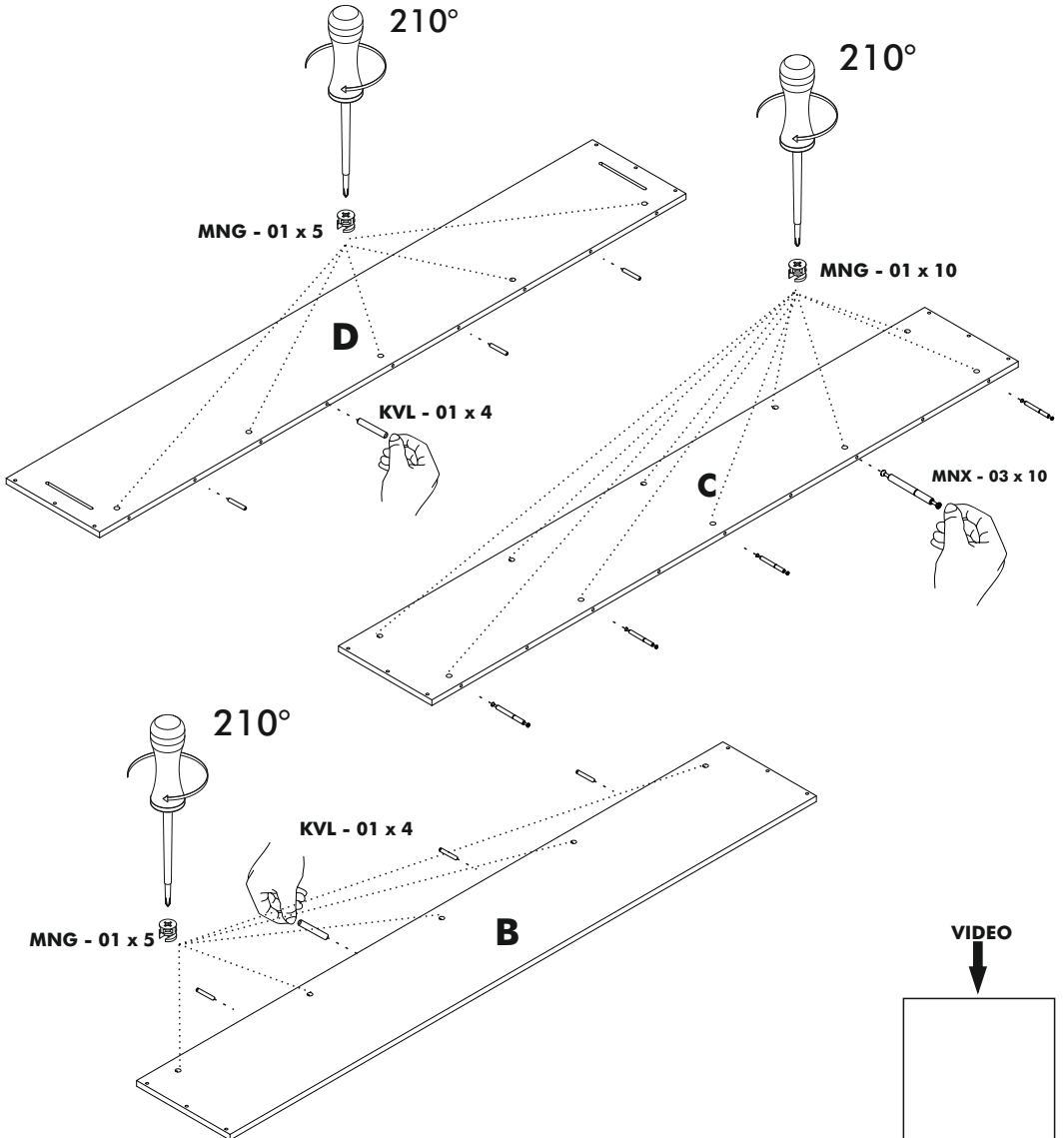
MNG - 01



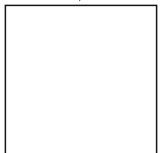
KVL 01



MNX - 03

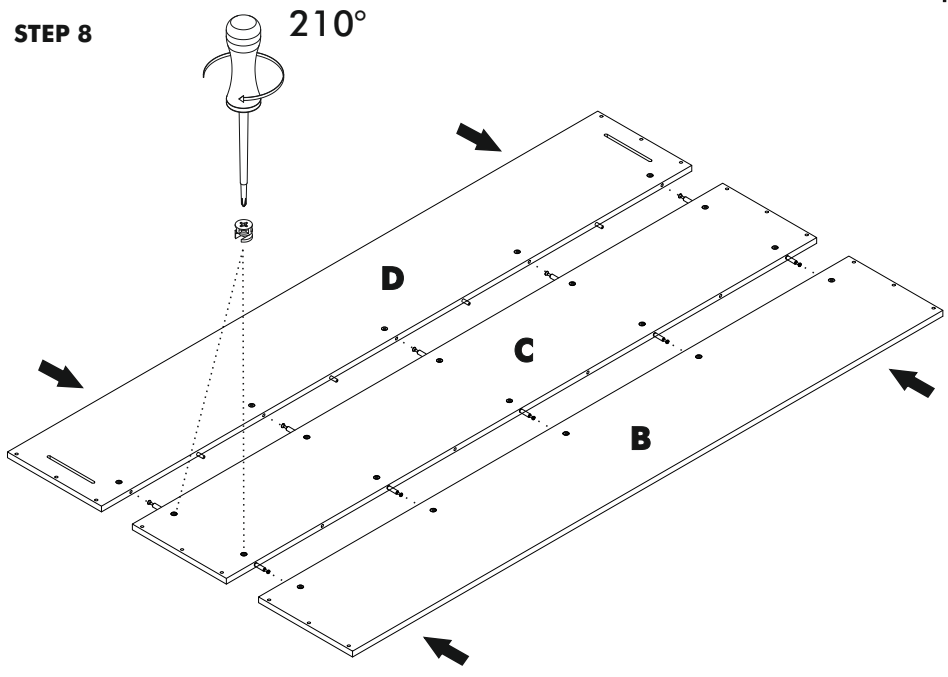


VIDEO

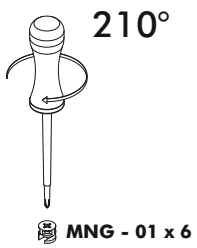


link

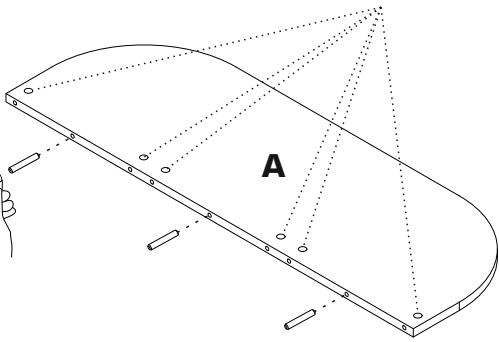
STEP 8



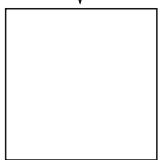
STEP 9



KVL - 01 x 3

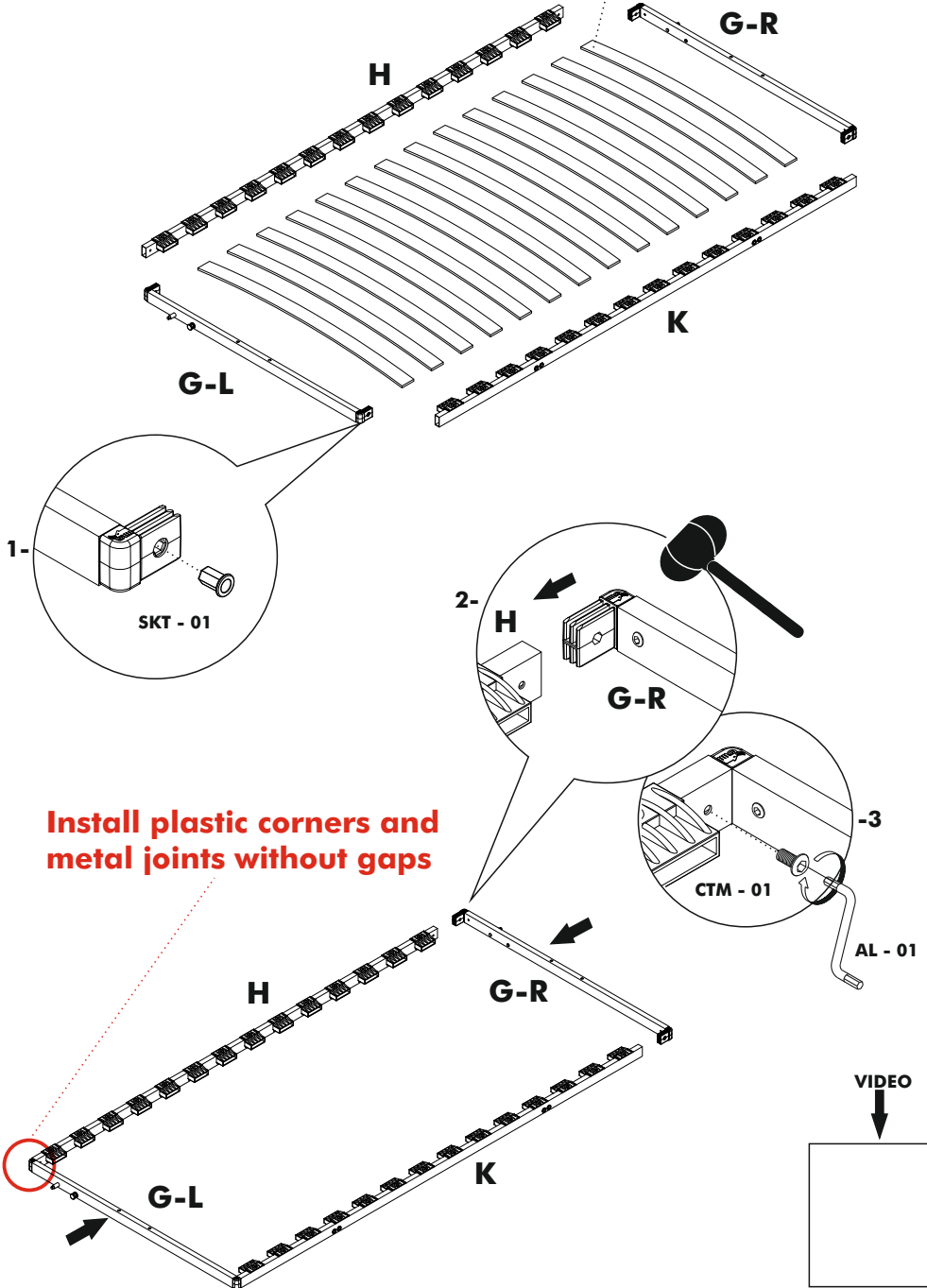


VIDEO



STEP 10

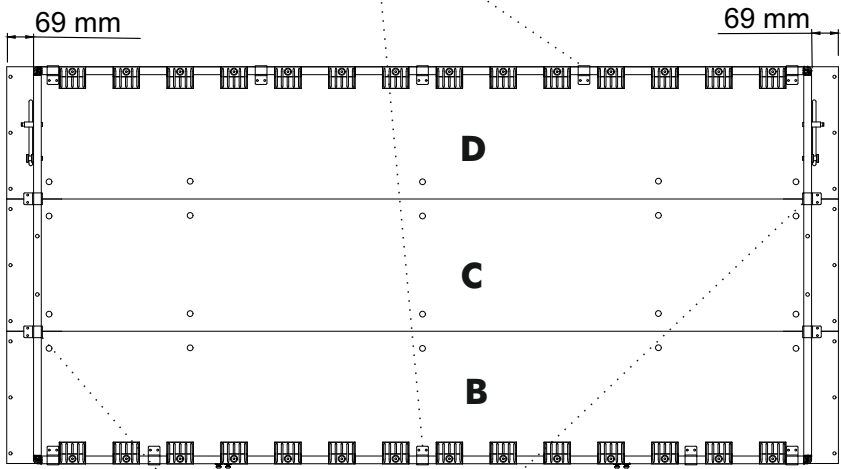
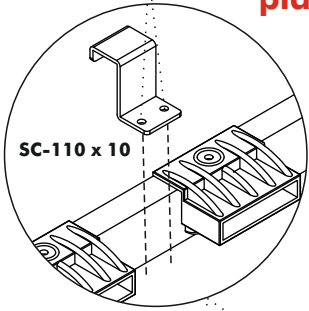
LTA - 01 x 14



STEP 11

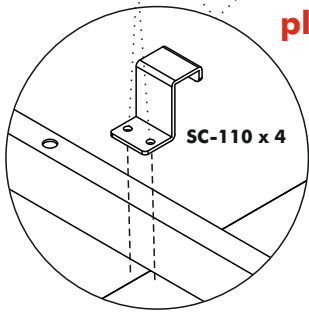
VTB - 02 x 20

Assemble the brackets over the places shown over H,K profiles



VTB - 02 x 8

Assemble the brackets over the places shown over G-L,G-R profiles

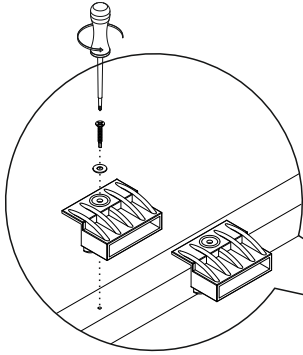


VIDEO

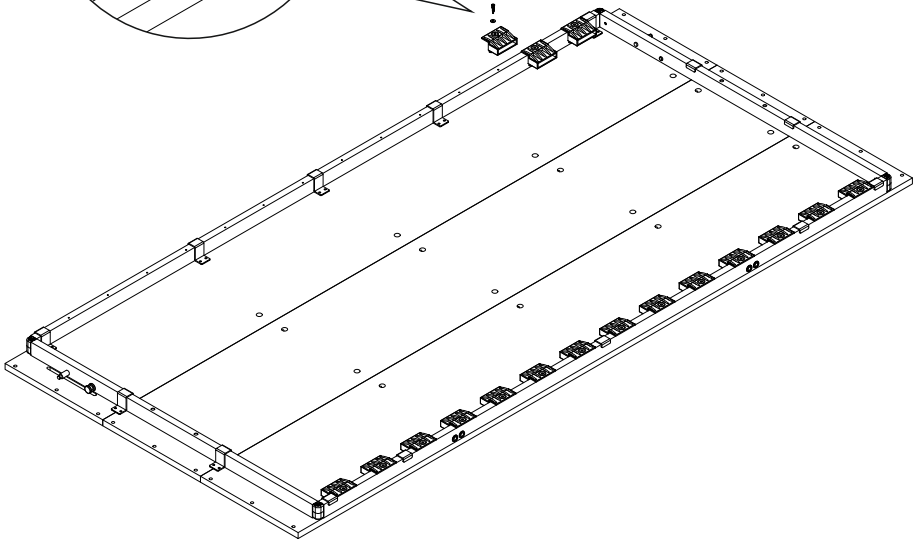


link

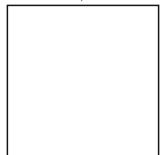
STEP 12



Unscrew the Screws

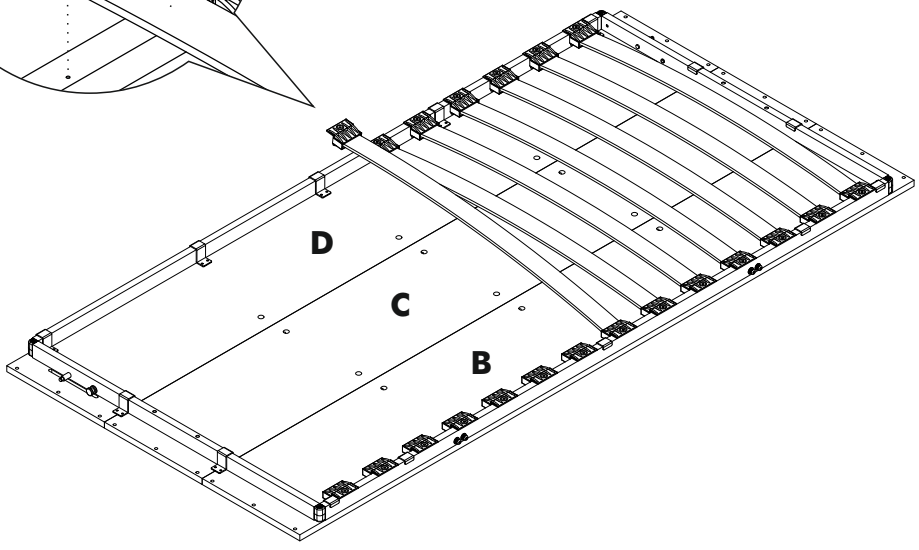
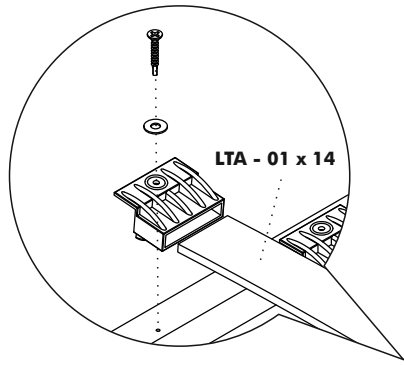


VIDEO

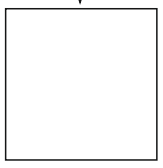


link

STEP 13

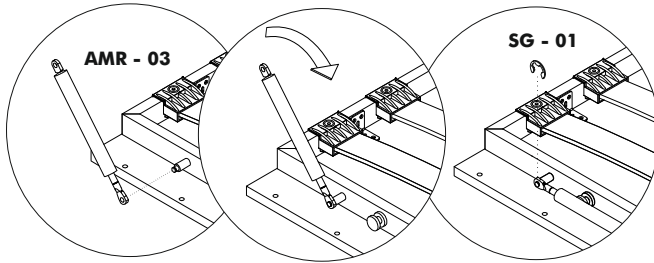
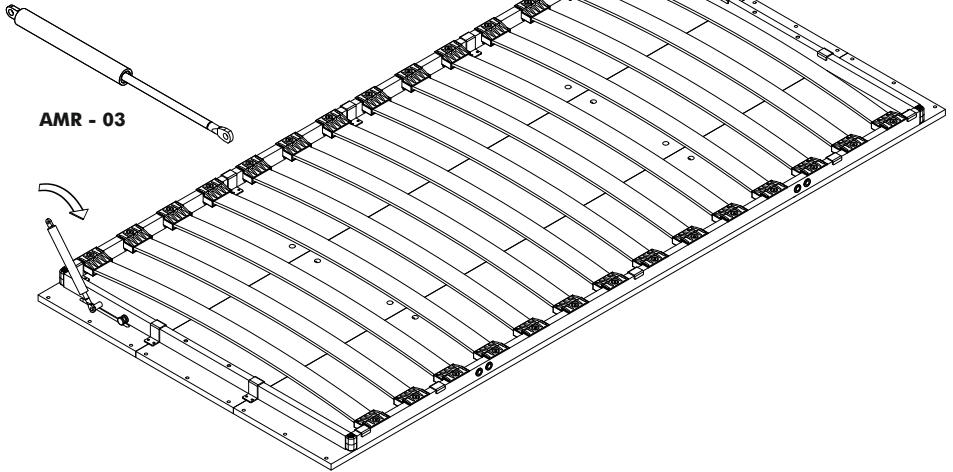


VIDEO



link

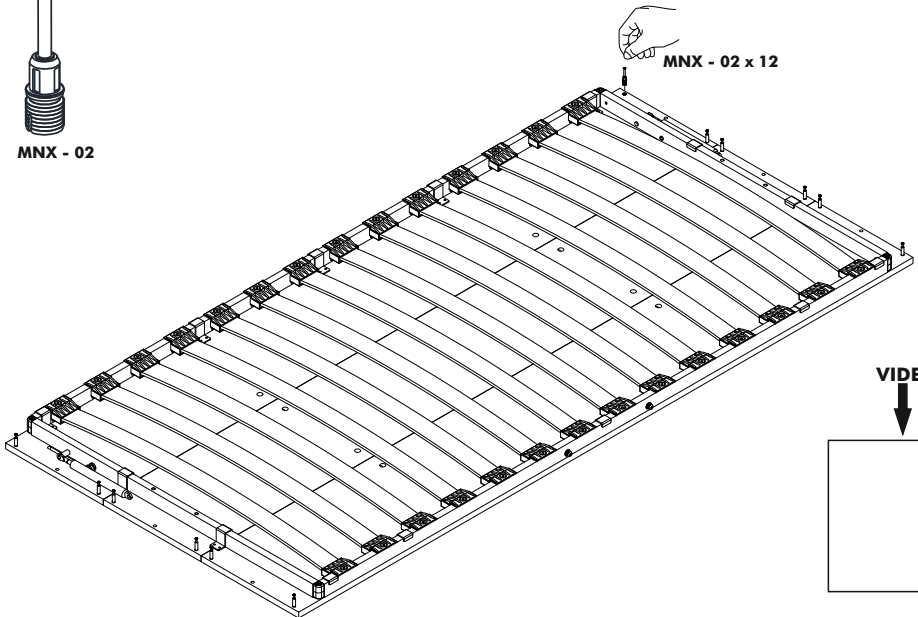
STEP 14



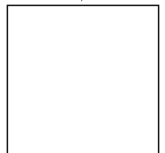
STEP 15



MNX - 02

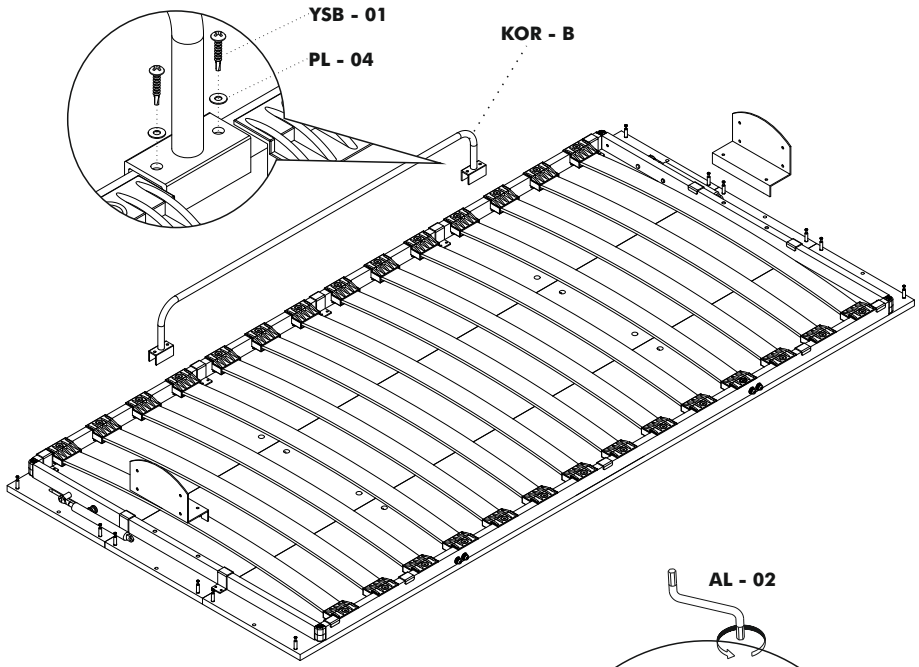


VIDEO

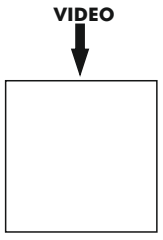
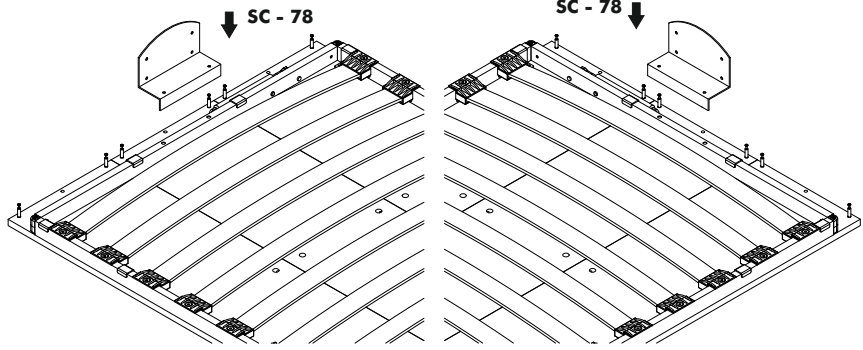
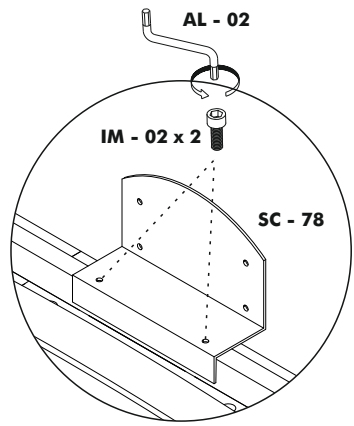


link

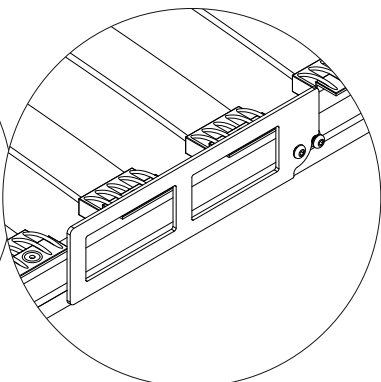
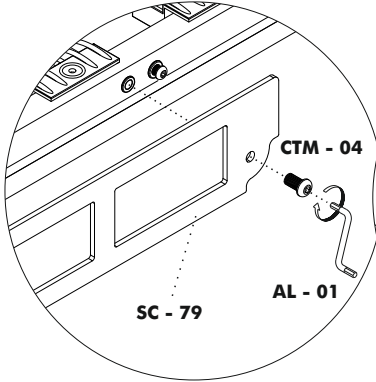
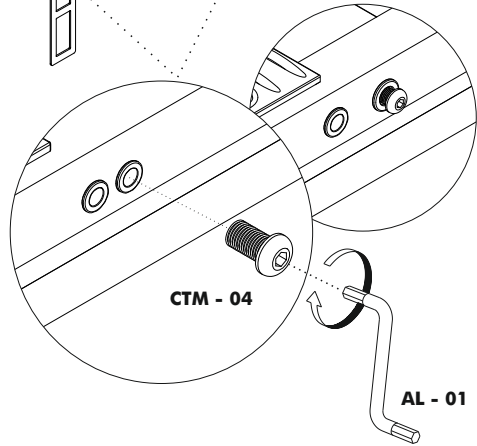
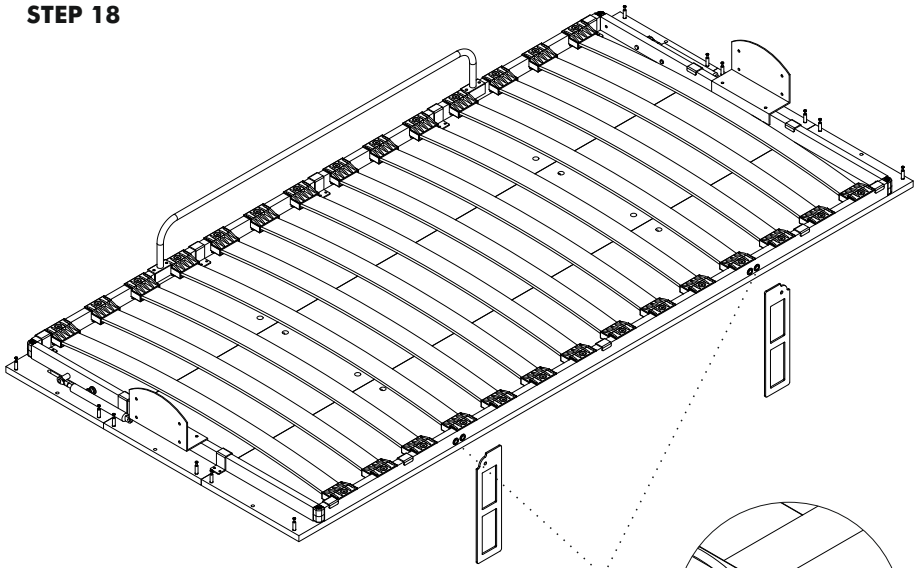
STEP 16



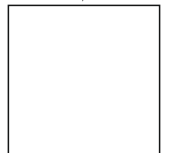
STEP 17



STEP 18

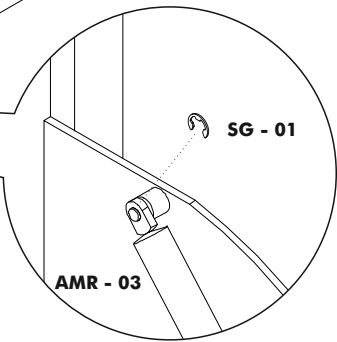
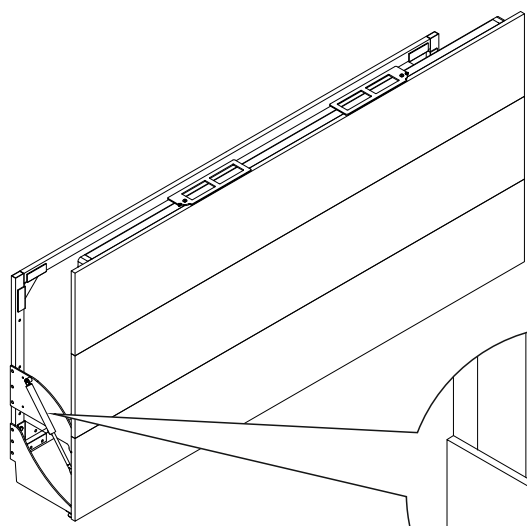
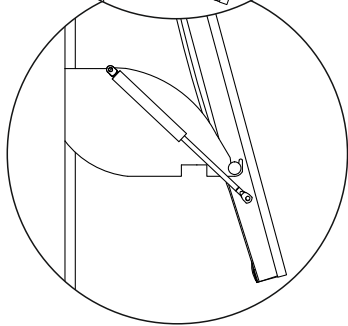
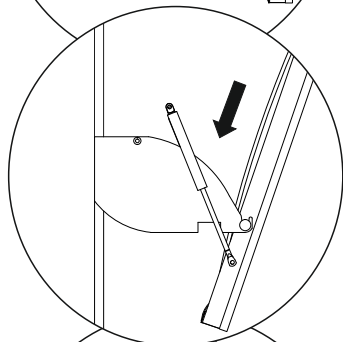
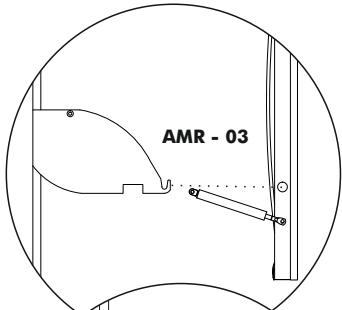
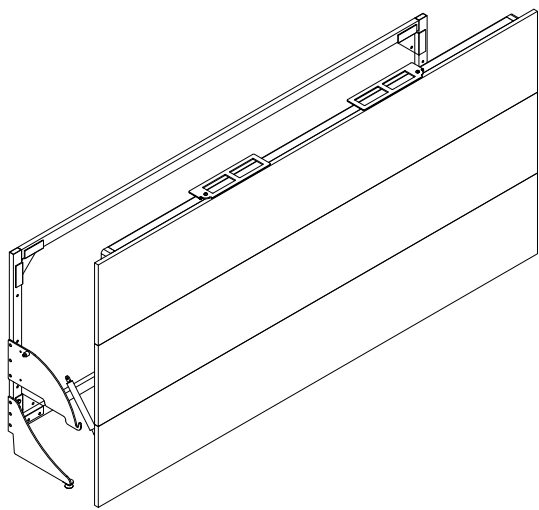


VIDEO

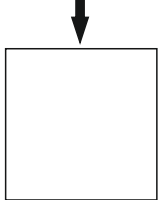


link

STEP 19

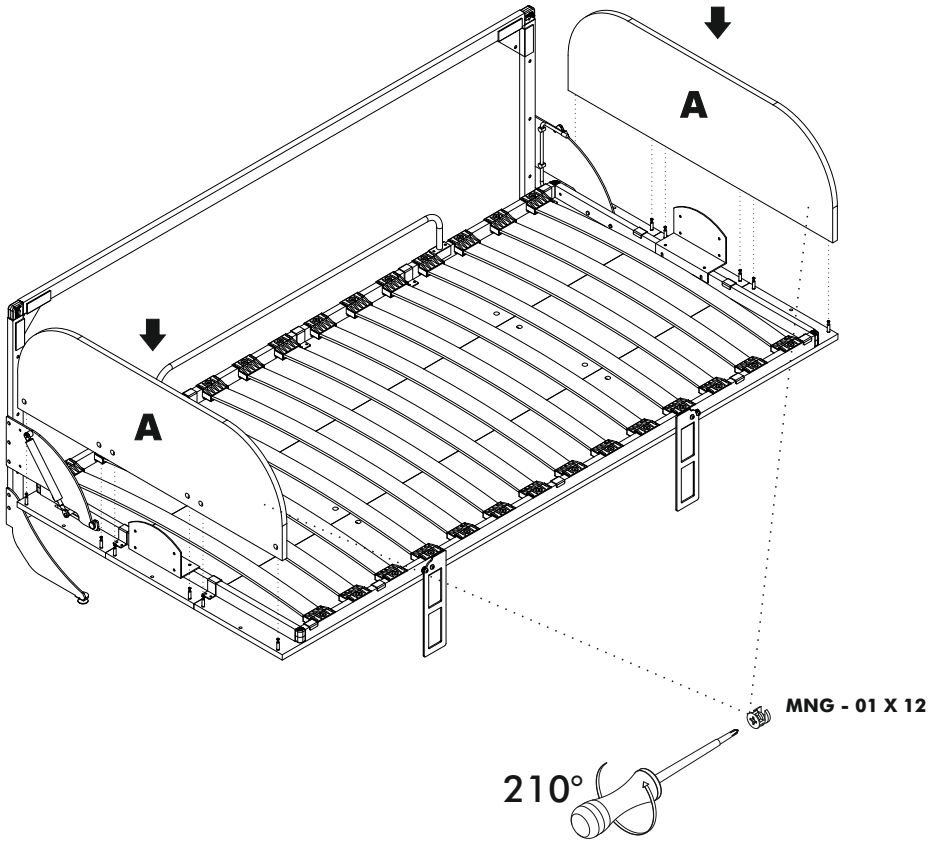


VIDEO

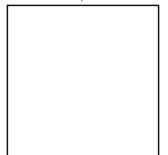


link

STEP 20

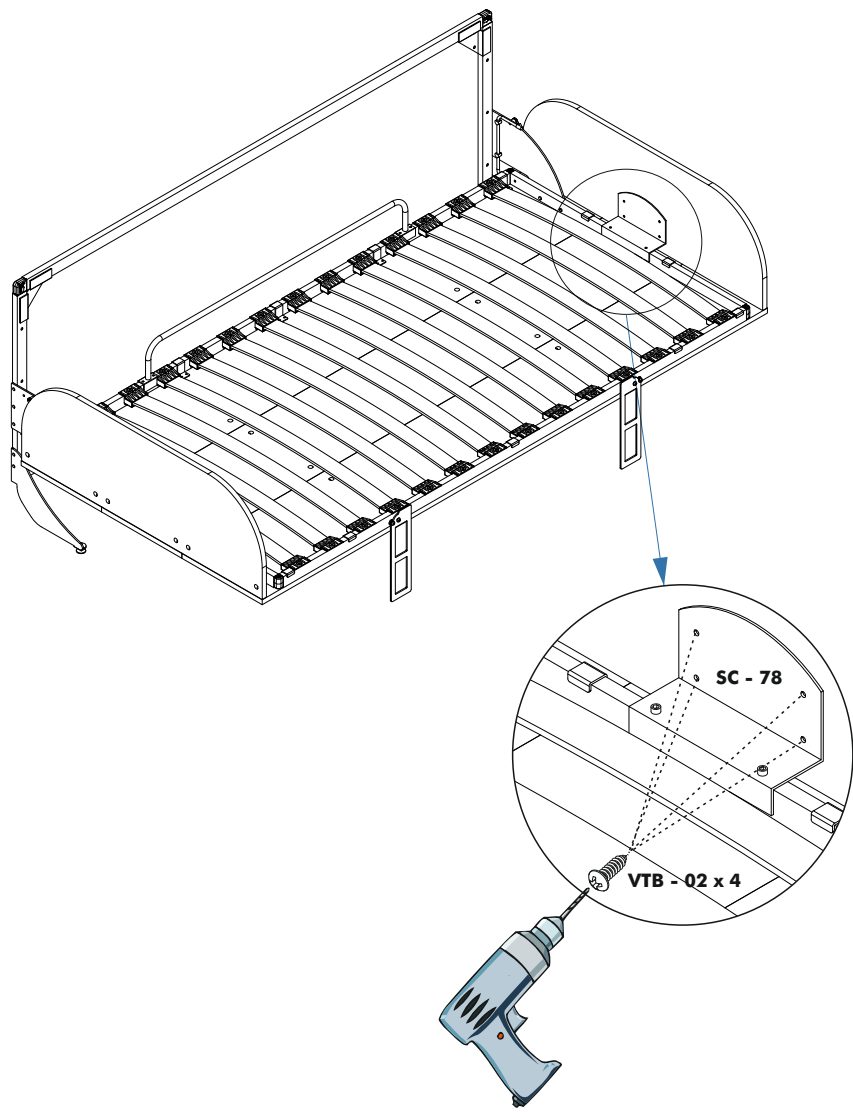


VIDEO

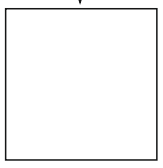


link

STEP 21

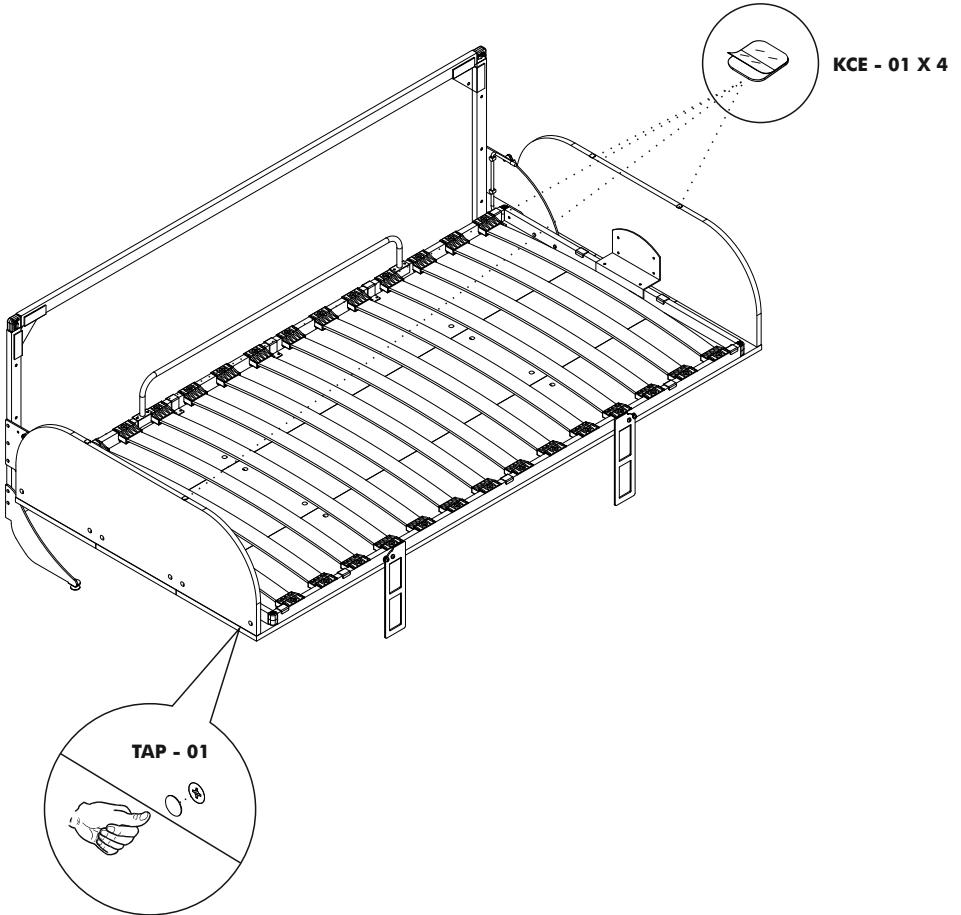


VIDEO

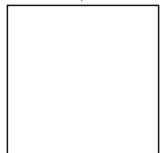


link

STEP 22



VIDEO

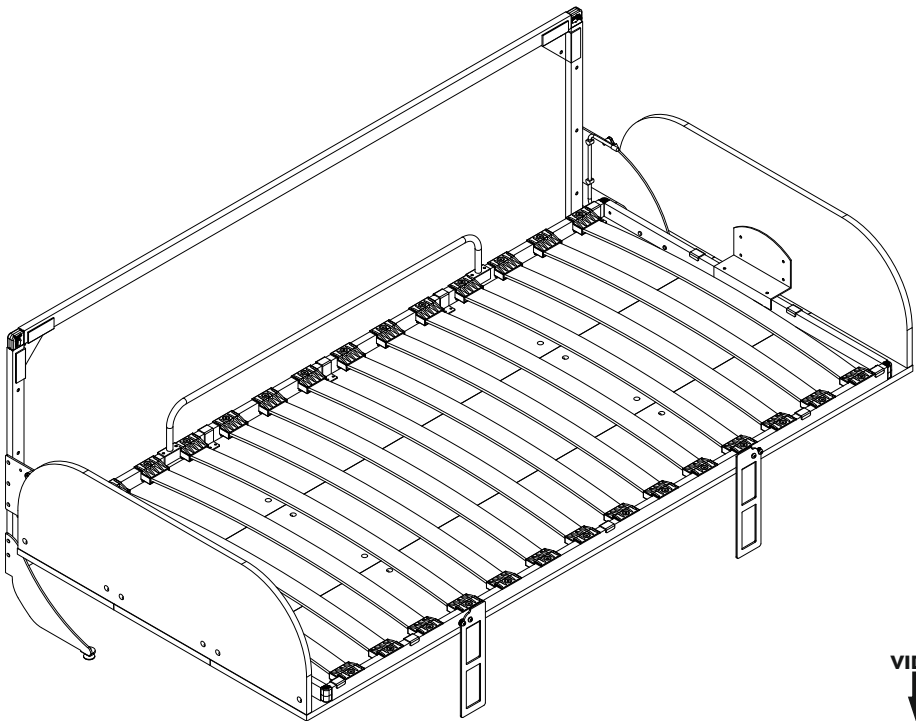
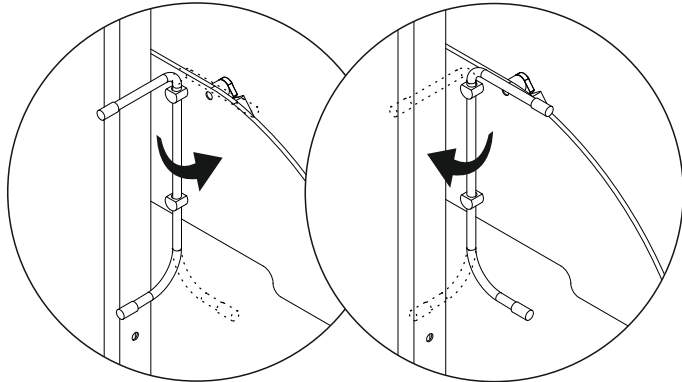


link

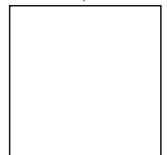
STEP 23

1. BED CLOSED

2. BED OPEN



VIDEO



link

ATTENTION / HOW TO / READ ME / OWNER'S GUIDE

1. Unless an item is free standing, when mounting on a regular drywall, furniture must be fastened to wood or metal studs. Solid walls made of brick, concrete or similar materials are also acceptable. Do not mount furniture on to paper-mache or sheetrock like material without properly affixing it to stud.
2. For safety and longevity of the product you must periodically inspect the mounting and mechanical connections for integrity and tightness. Confirm that hardware remains properly affixed and connections are snug.
3. Unless noted otherwise on the product page, Wall Bed mattress thickness may not exceed 6,29 inch. Make sure to remove pillows and excess blankets before closing. This keeps mechanism free of obstructions and unnecessary stress.
4. Do not lean or rest heavy objects on sides or top of furniture. This may cause balance issues and compromise the integrity of your mounting connections.
5. Please use beds, desks and shelving as intended. Improper use may cause personal injury and damage to property.
6. With seasonal humidity change you must inspect interior and exterior of furniture.
7. Single, Twin, Twin XL beds accommodate the weight of one person, up to 250 lb. Exceeding recommended weight restrictions may lead to personal injury and property damage.
8. Before any un-mounting or disassembly please contact Multimo for technical support and instructions. Failure to properly detach wall bed may result in personal injury and property damage.
9. Some wall beds have legs that fully extend when open - be aware of where the leg is and will be.



WARNINGS

IMPORTANT! HAZARD WARNING!

All Wall Beds contain sophisticated and powerful lifting mechanism.
Failure to follow assembly and installation instructions may result in **severe personal injury and damage of the product.**

SECURE RIGIDLY TO A WALL!

Improper attaching wall bed to a wall will create a tip-over hazard and may result in severe personal injury or even death.

ONLY qualified installers should install or remove a wall bed.

10. For Bunk Beds:

- a. Always use provided ladder when accessing top bunk.
- b. Be slow, careful and aware of surroundings when opening top bunk.
- c. Do not horseplay. Beds are to be slept on only.



WARNINGS

To help prevent serious or fatal injuries due to entrapment or falls

- Never allow a child under 6 on upper bunk.
- Use only Twin/Twin XL size mattress on upper bunk.
- Ensure mattress thickness doesn't exceed 6", and that mattress surface at least 5" below upper edge of guard rails



WARRANTY

RETAIL RESIDENTIAL TERM

Lifetime guarantee on hardware.
5 year structural guarantee on cabinetry.

COMMERCIAL TERM

Lifetime guarantee on hardware.
2 year structural guarantee on cabinetry.



MULTiMO

www.multimo.com