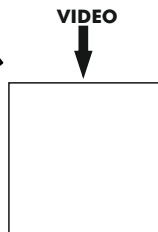
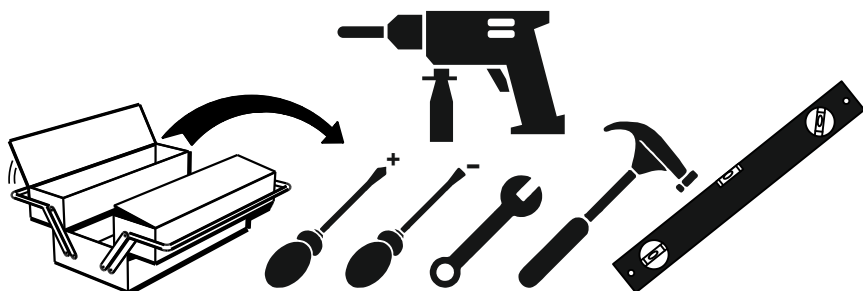
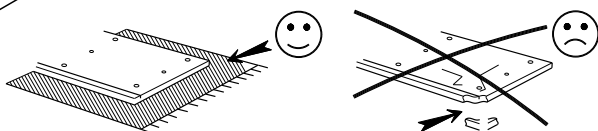
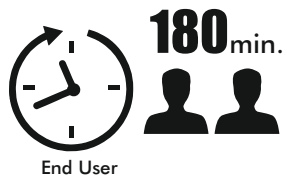
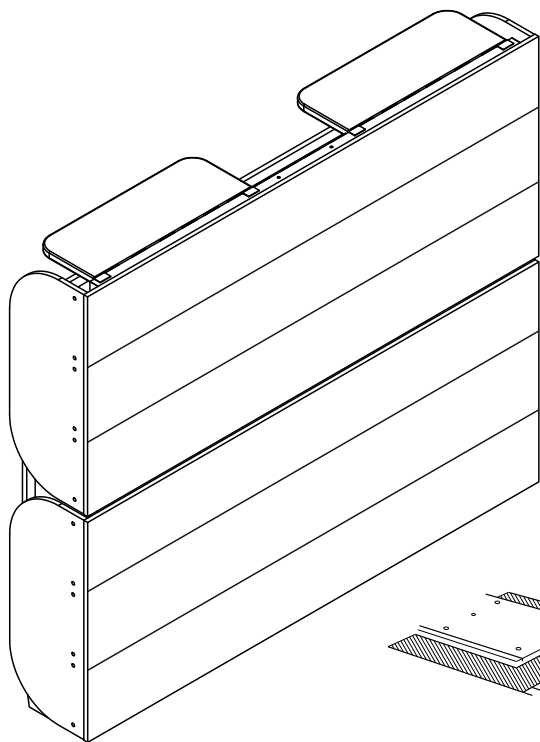




# MULTIMO

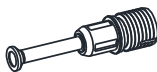




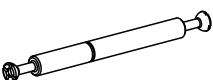

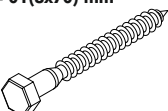

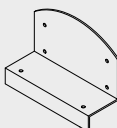
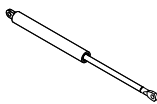
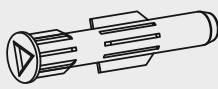



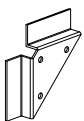

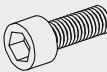
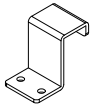
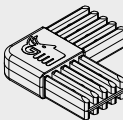

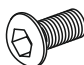
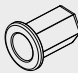

## 750- SIMPLE BUNK

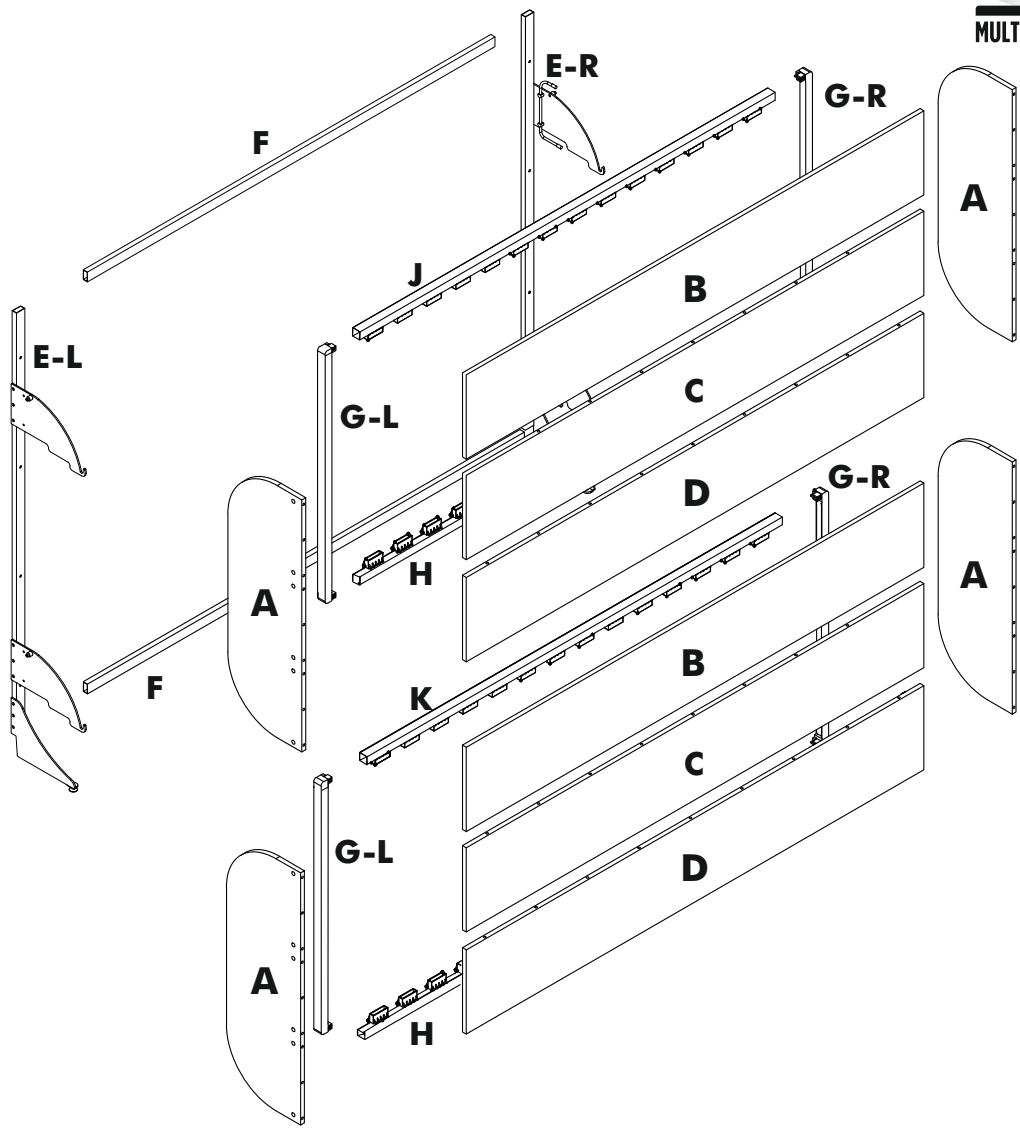


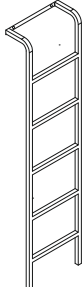
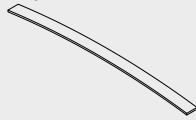


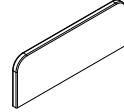
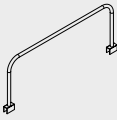
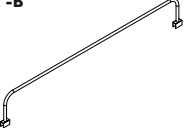
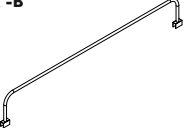
link

Track Title	Piece	(inch)			(mm)			
		Thickness	Length	Width	Piece	Thick	Height	Most
<b>A</b>	4	0,71	36,14	13,58	4	18	918	345
<b>B</b>	2	0,71	84,17	12,09	2	18	2138	307
<b>C</b>	2	0,71	84,17	12,09	2	18	2138	307
<b>D</b>	2	0,71	84,17	12,09	2	18	2138	307
<b>E-R / E-L</b>	2		65,94		2		1675	
<b>F</b>	2		75,98		2		1930	

### Accessories List

<b>MXN 02</b>  24 / piece	<b>MNG - 01</b>  64 / piece	<b>KVL 01</b>  28 / piece	<b>TAP - 01</b>  64 / piece
<b>SG - 01</b>  8 / piece	<b>MXN - 03</b>  20 / piece	<b>VTB - 02 (4,2x16) mm</b>  72 / piece	<b>TFC - 01(8x70) mm</b>  14 / piece
<b>SC-79</b>  2 / piece	<b>SC-78</b>  4 / piece	<b>AMR 03 (300 N)</b>  4 / piece	<b>DD - 01 ( R10 )</b>  14 / piece
<b>BKA - 01</b>  2 / piece	<b>PL - 04 (5x12x0,7) mm</b>  16 / piece	<b>YSB - 01 ( 3,9x16 ) mm</b>  16 / piece	<b>SC-98</b>  2 / piece
<b>KCE - 01</b>  8 / piece	<b>IM - 02 (6x20) mm</b>  8 / piece	<b>SC-110</b>  28 / piece	<b>KBY- 02</b>  4 / piece
<b>SYS-01</b>  2 / piece	<b>CTM - 01 ( 6x10 ) mm</b>  8 / piece	<b>SKT 01</b>  8 / piece	<b>CTM - 04 ( 8x25 ) mm</b>  6 / piece

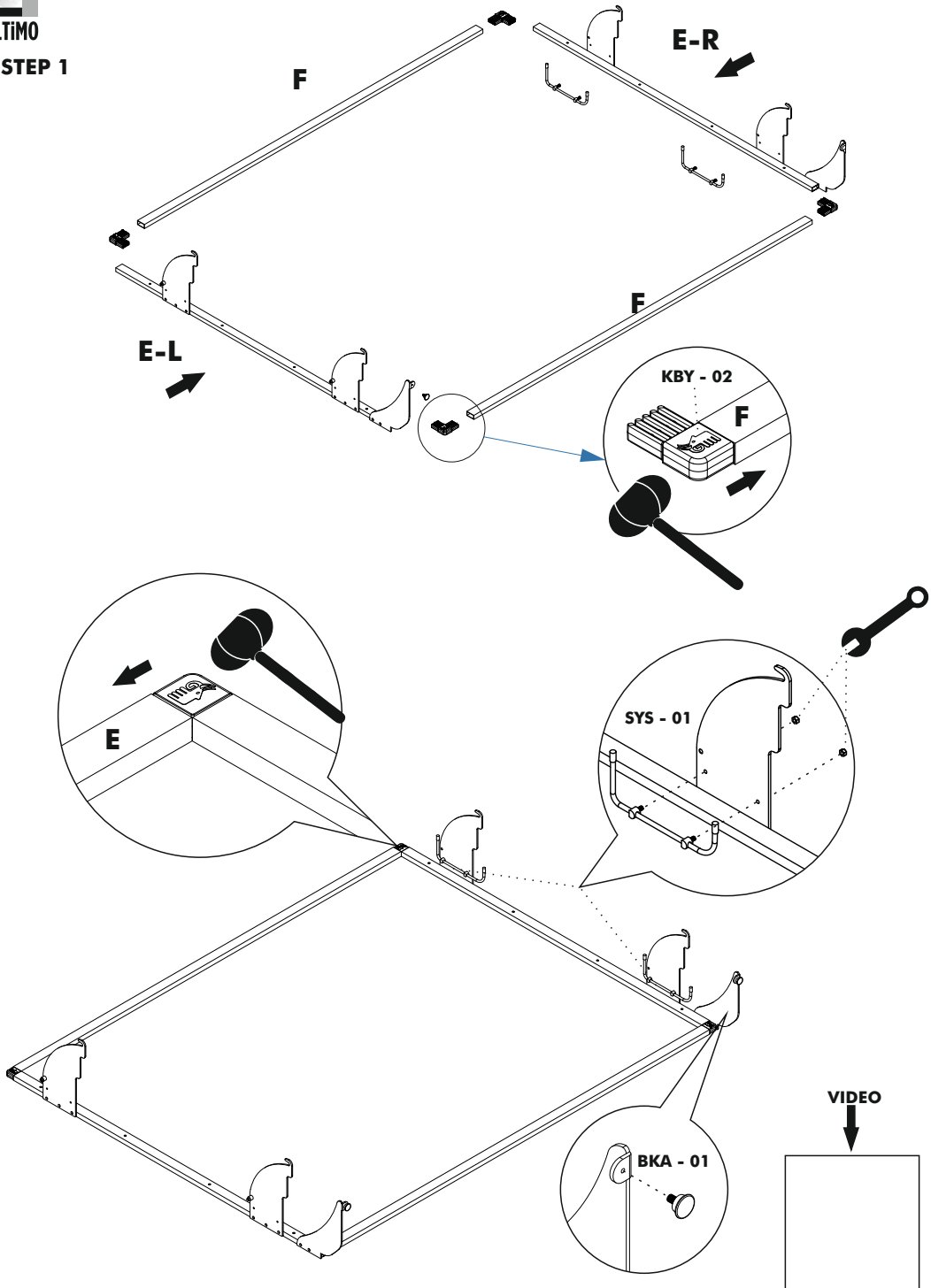


<p><b>MRD 01</b></p>  <p>1 / piece</p>	<p><b>LTA - 01</b></p>  <p>28 / piece</p>	<p><b>AL - 01 (4MM)</b></p>  <p>1 / piece</p>	<p><b>AL - 02 (5MM)</b></p>  <p>1 / piece</p>
<p><b>KLF - F (fabric cover)</b></p>  <p>2 / piece</p>	<p><b>KOR - F</b></p>  <p>2 / piece</p>	<p><b>KOR - B</b></p>  <p>2 / piece</p>	<p><b>KOR - B</b></p>  <p>2 / piece</p>



MULTIMO

STEP 1

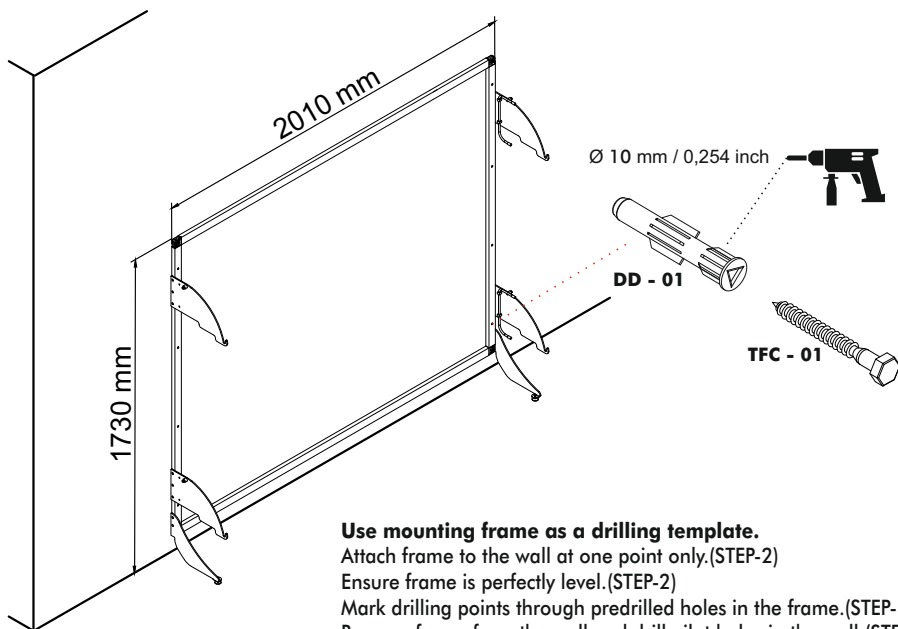




### ATTENTION!!!

Must be secured to the wall made of brick, concrete or similarly strong material.  
Mounting to wooden or metal studs is also acceptable.  
Do not mount directly to sheetrock or paper-mache type walls not supported by studs.

## STEP 2



### Use mounting frame as a drilling template.

Attach frame to the wall at one point only. (STEP-2)

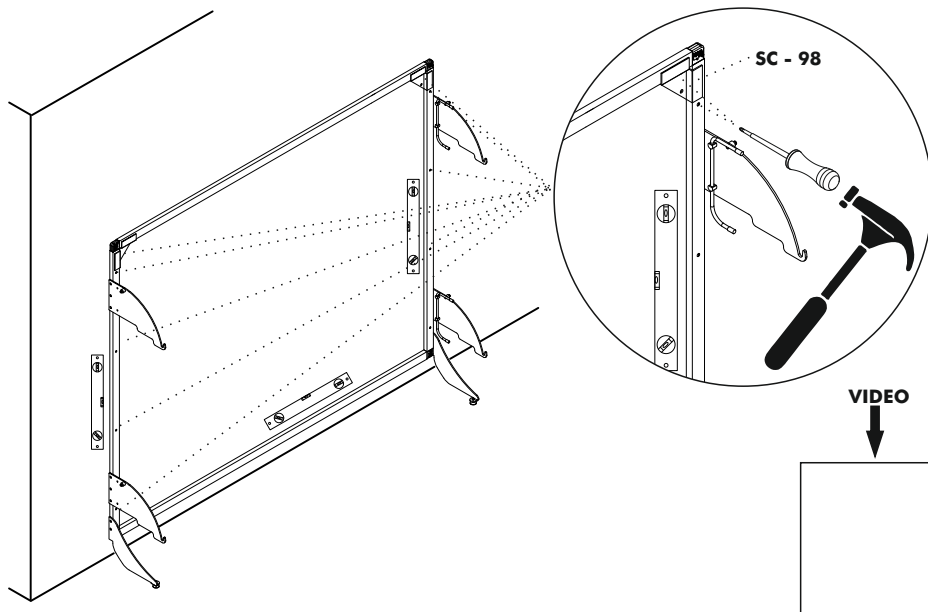
Ensure frame is perfectly level. (STEP-3)

Mark drilling points through predrilled holes in the frame. (STEP-3)

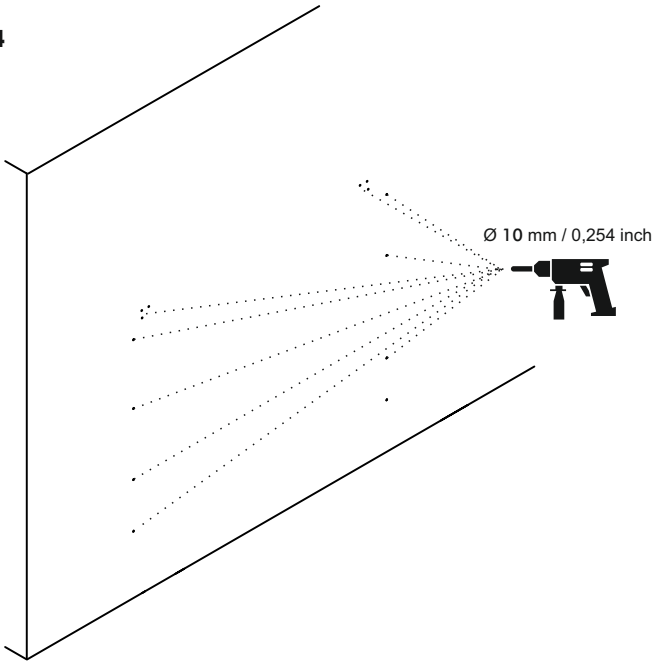
Remove frame from the wall and drill pilot holes in the wall. (STEP-4)

Attach frame to the wall using supplied hardware. (STEP-5-6)

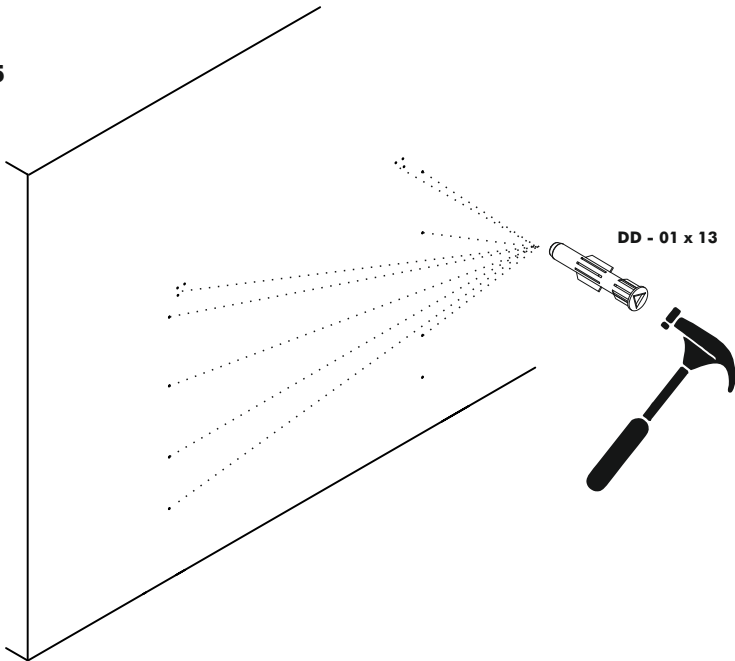
## STEP 3



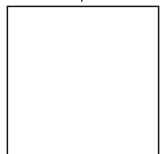
**STEP 4**



**STEP 5**

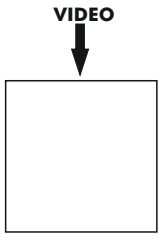
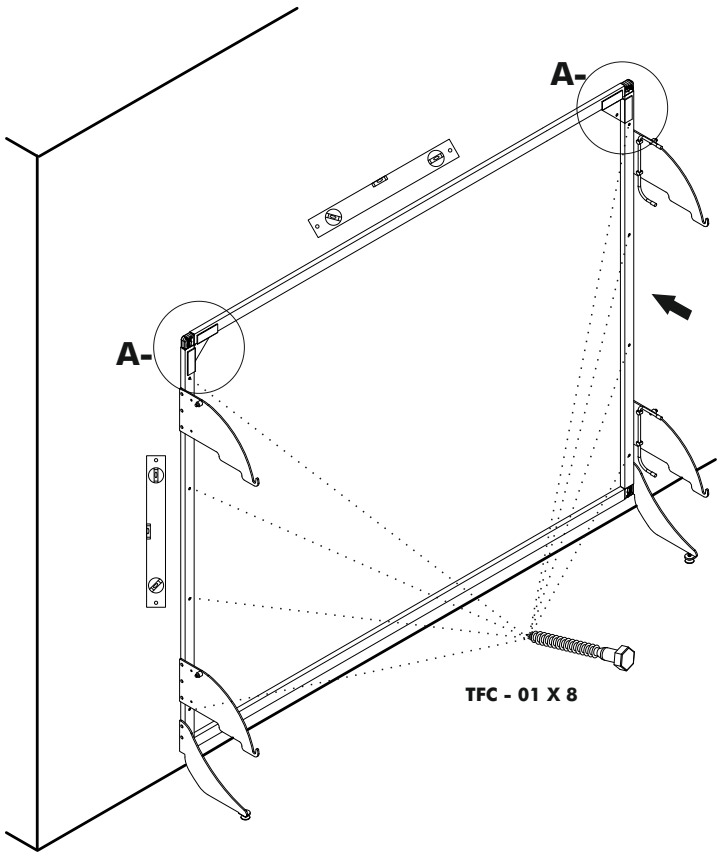
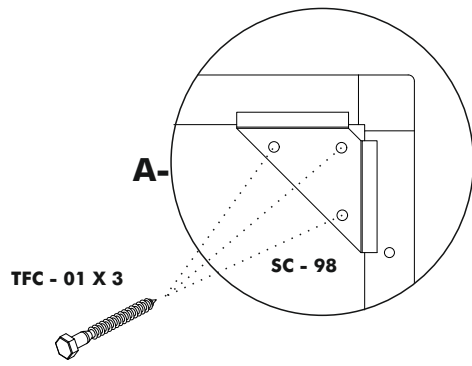


**VIDEO**



link

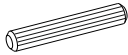
**STEP 6**



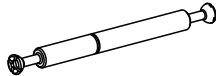
STEP 7



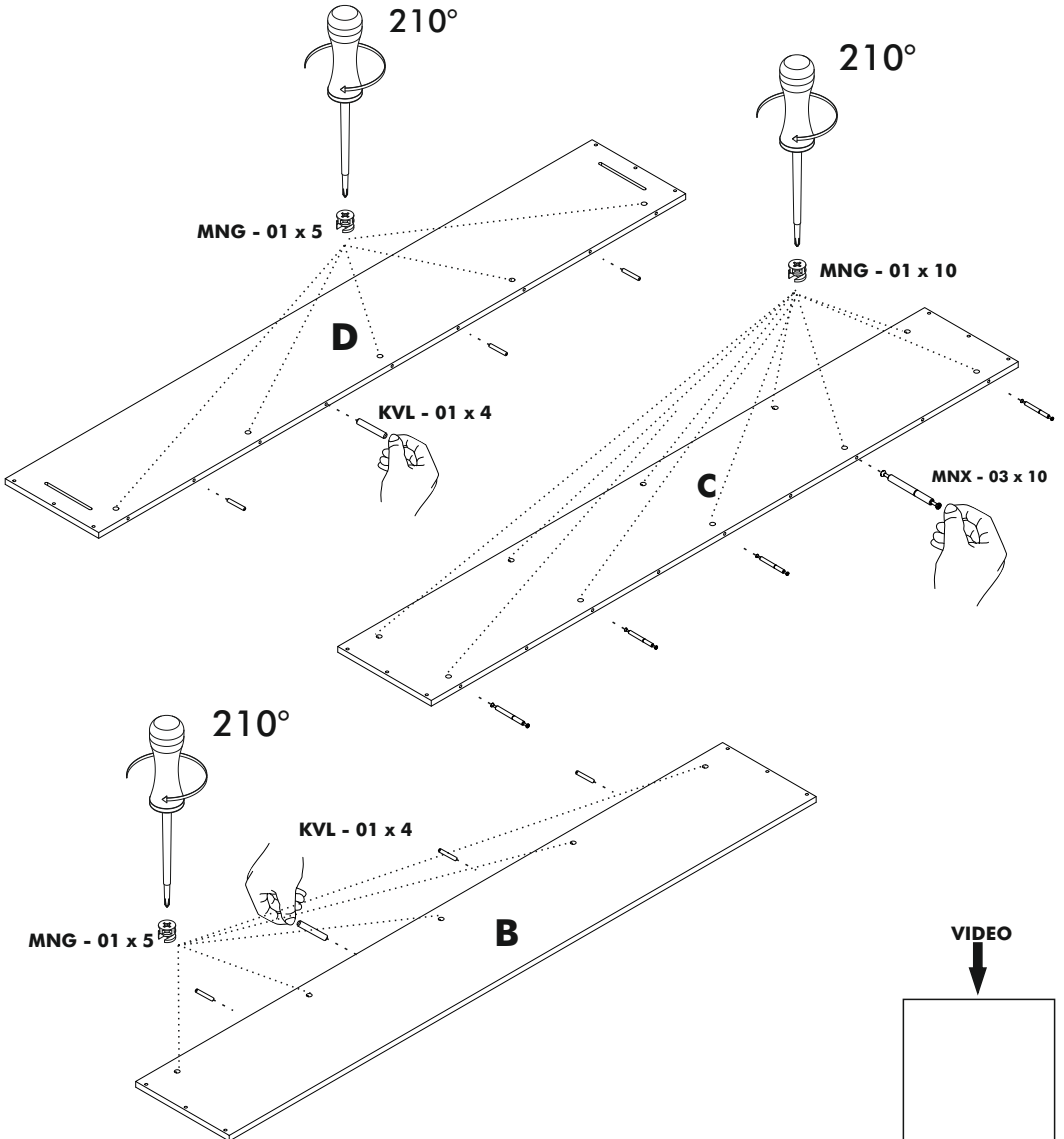
MNG - 01



KVL 01

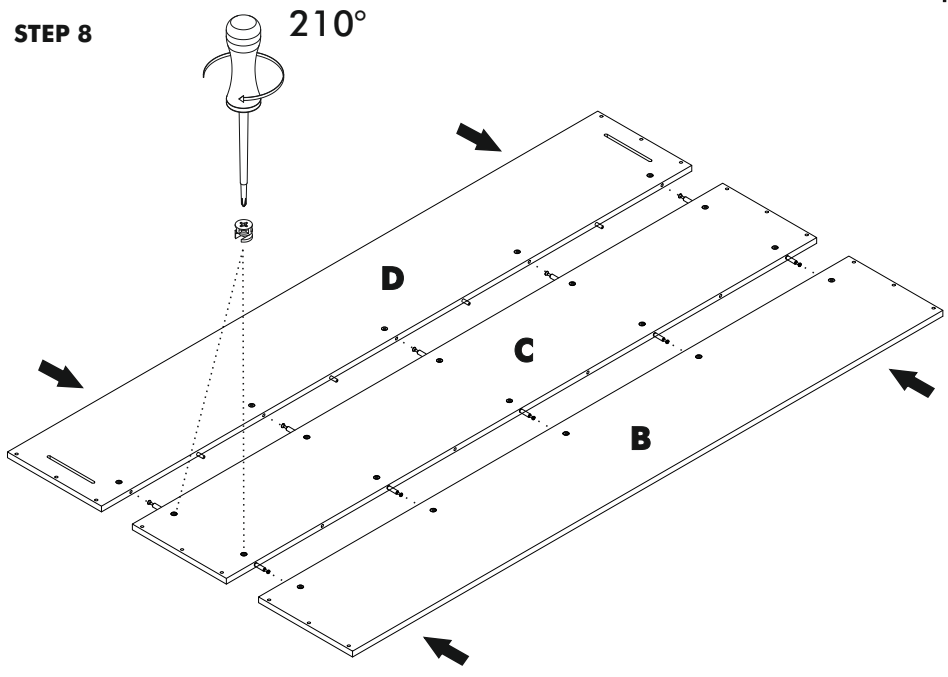


MNX - 03

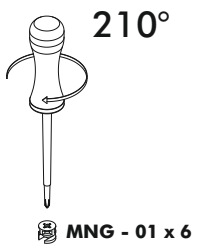




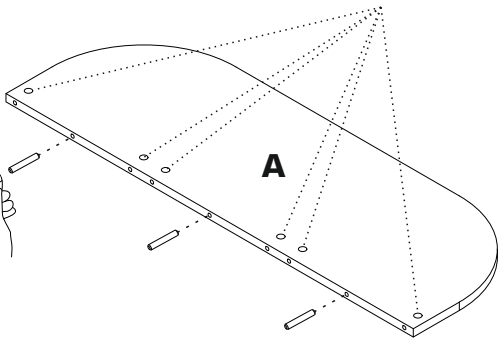
**STEP 8**



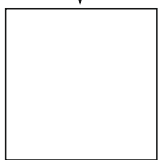
**STEP 9**



**KVL - 01 x 3**



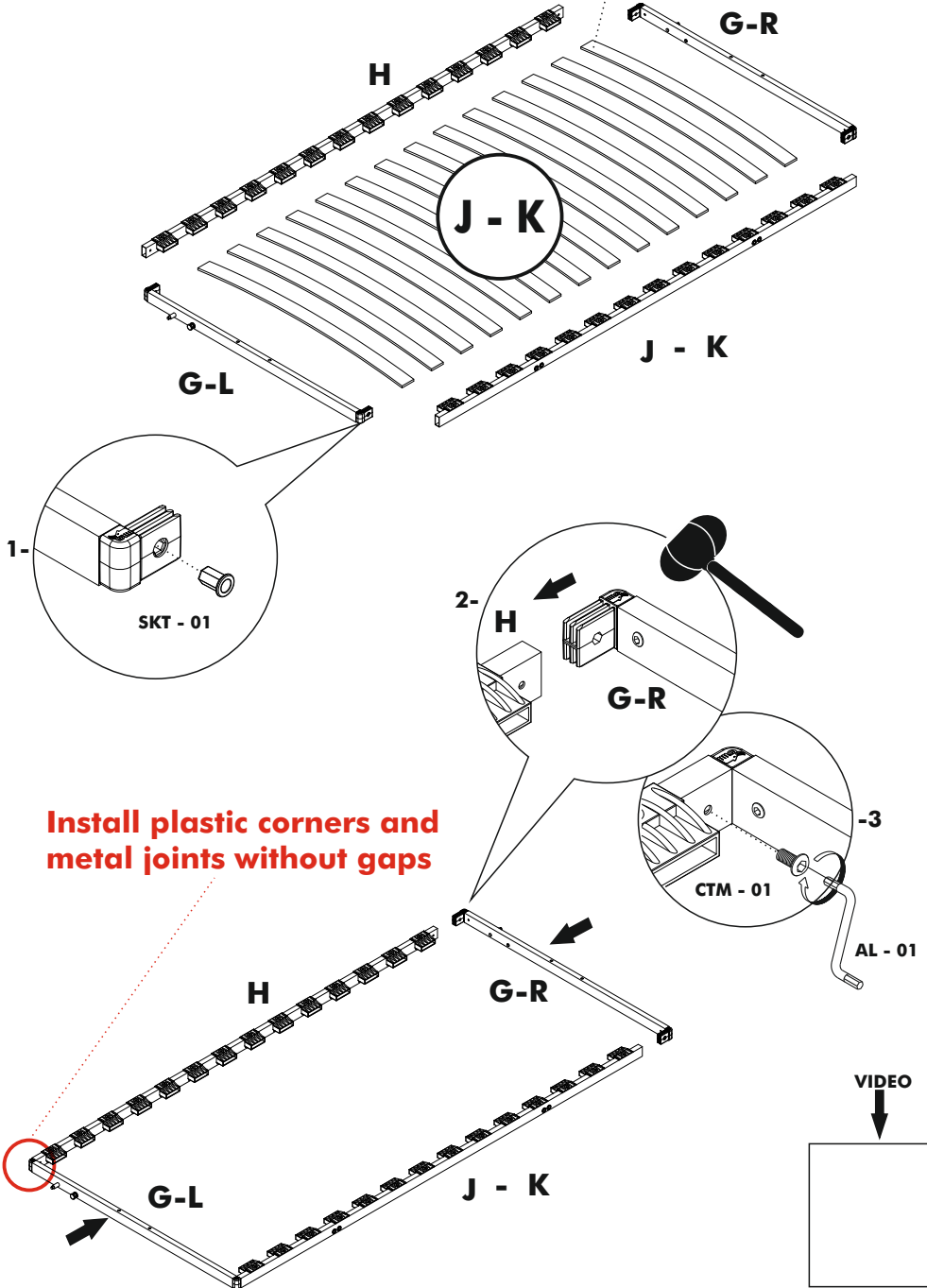
**VIDEO**



link

STEP 10

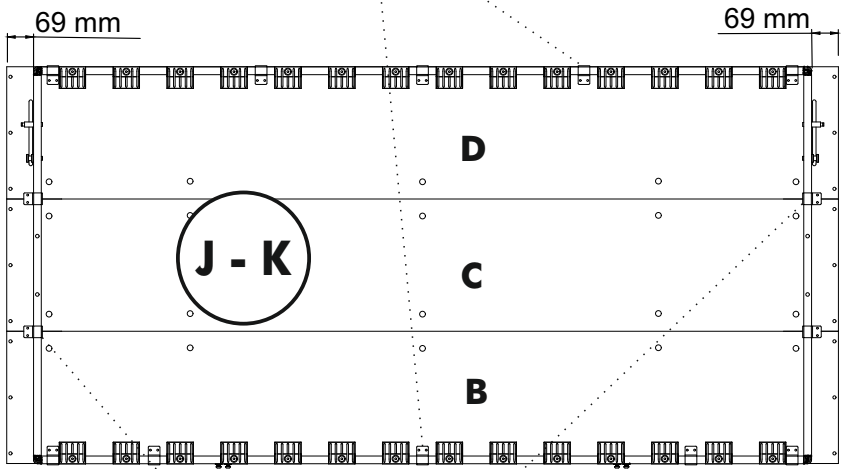
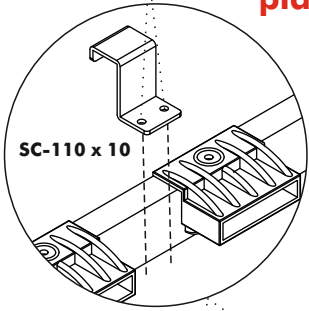
LTA - 01 x 14



**STEP 11**

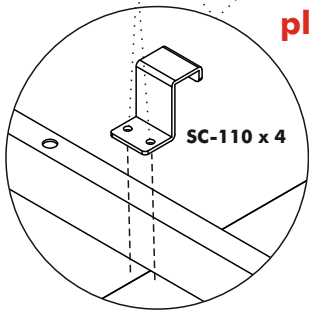
VTB - 02 x 20

**Assemble the brackets over the places shown over H,J,K profiles**

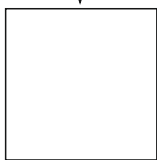


VTB - 02 x 8

**Assemble the brackets over the places shown over G-L,G-R profiles**

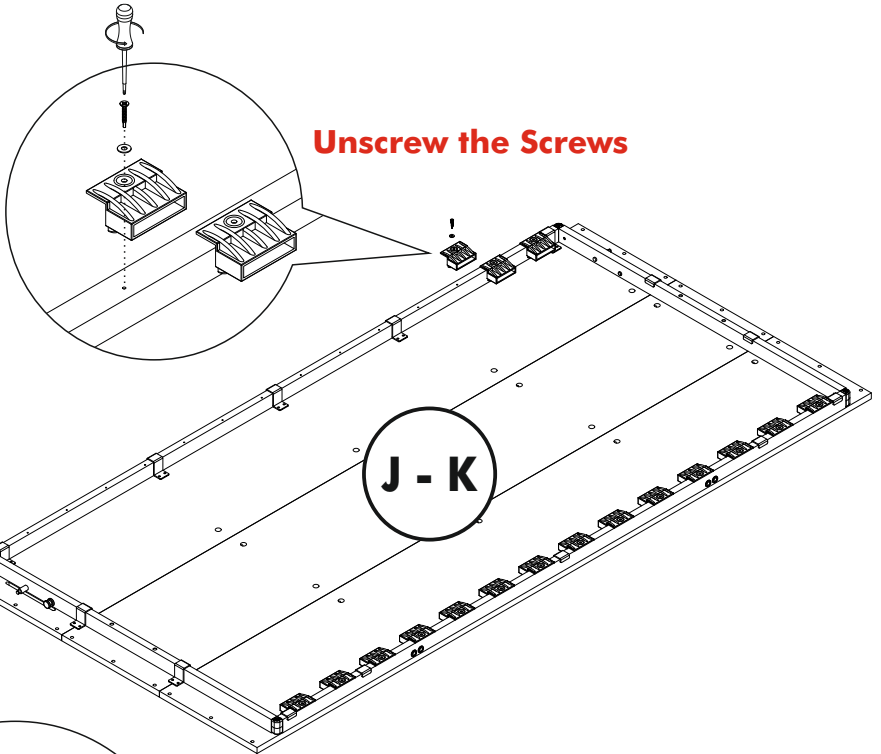


**VIDEO**

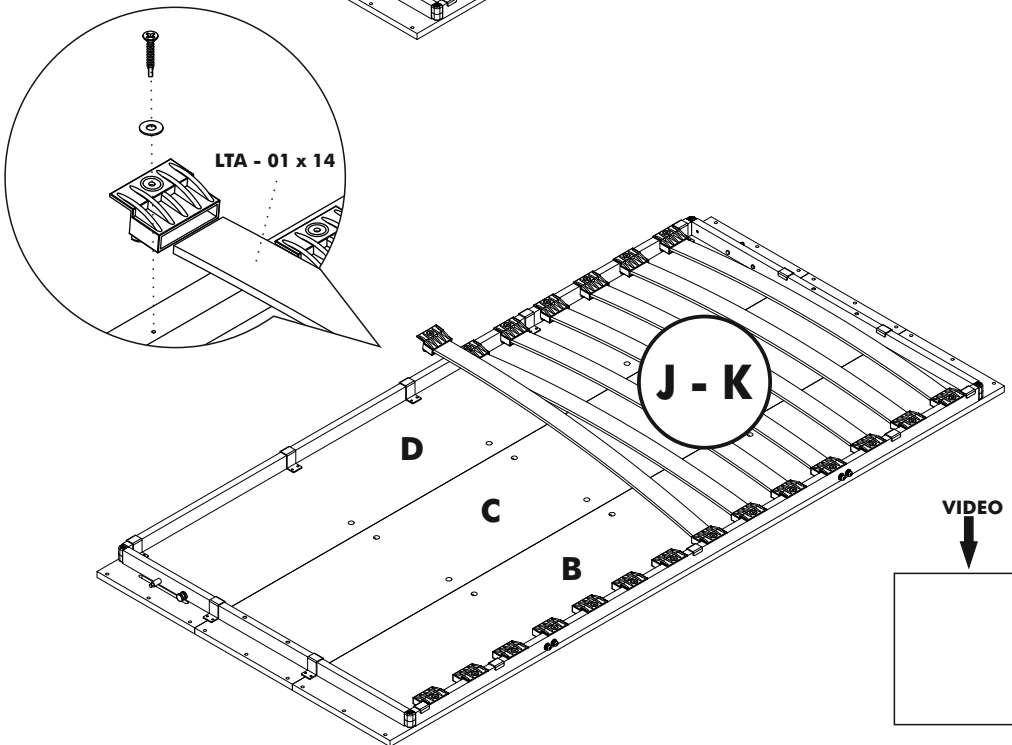


link

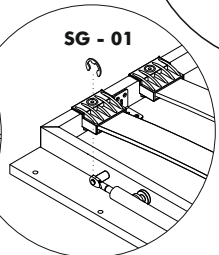
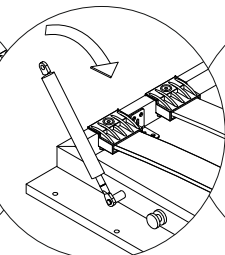
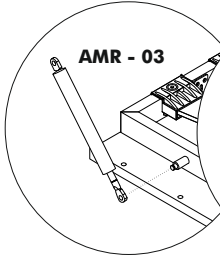
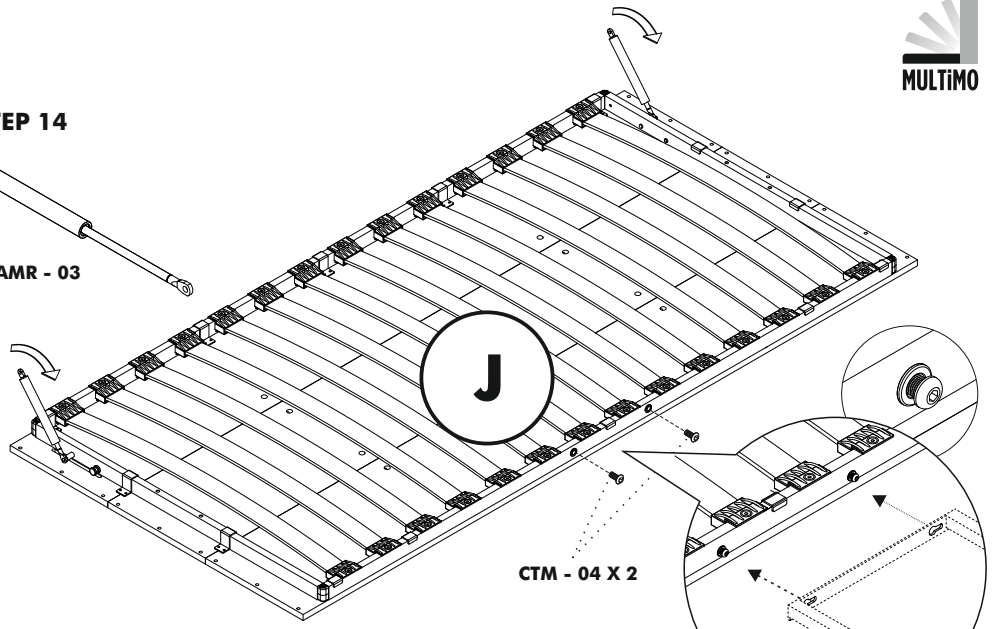
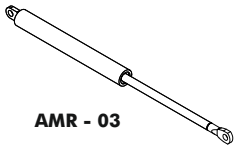
STEP 12



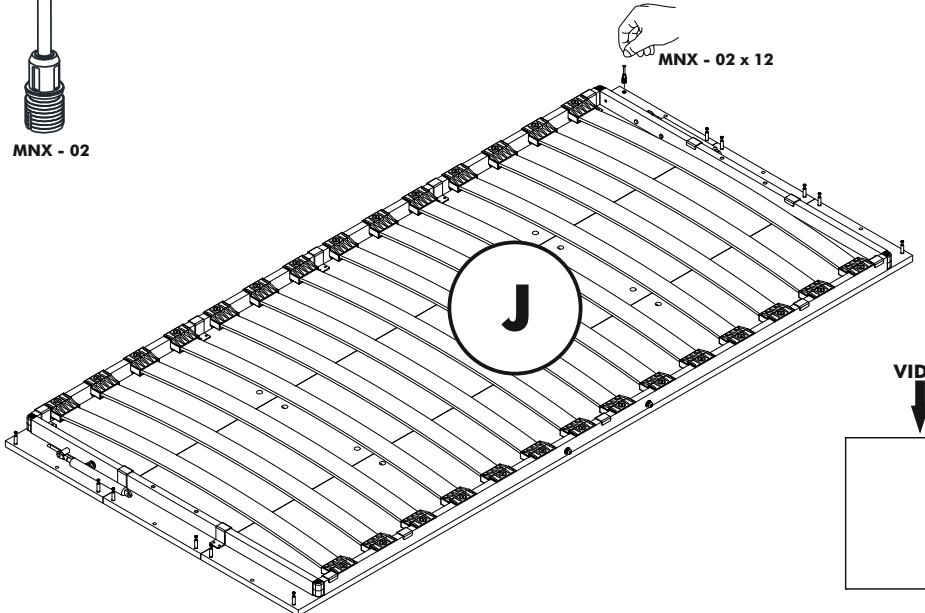
STEP 13



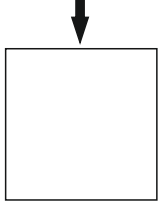
**STEP 14**



**STEP 15**

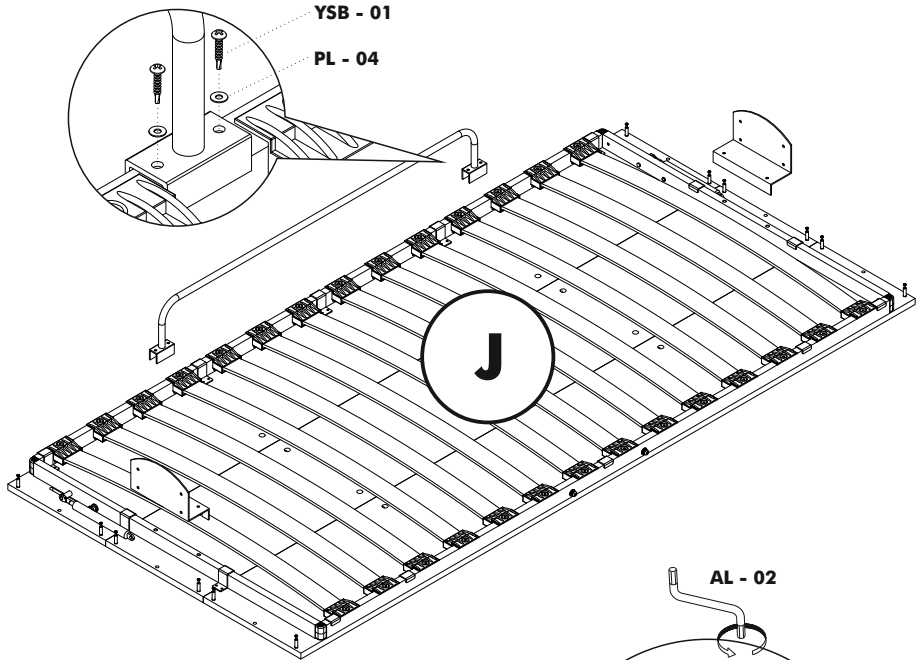


**VIDEO**

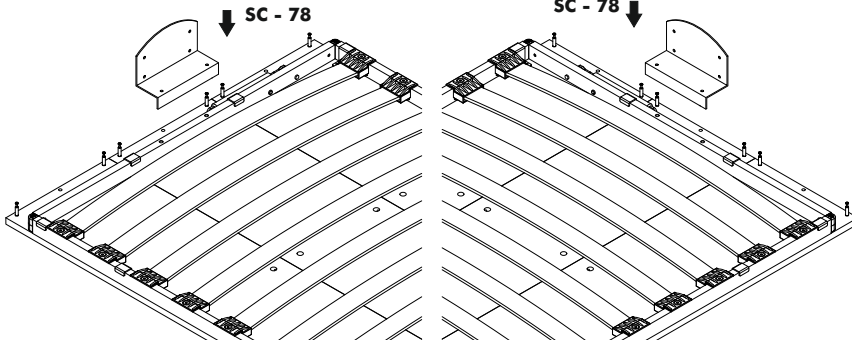
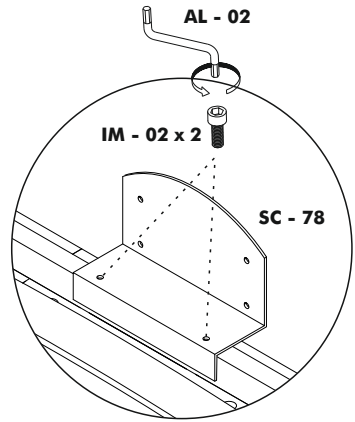


link

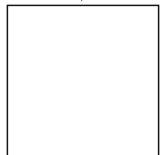
**STEP 16**



**STEP 17**

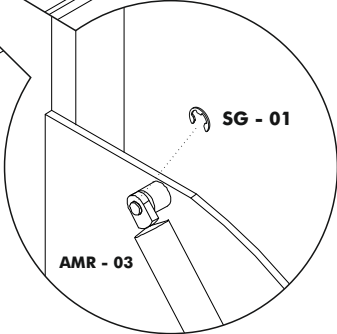
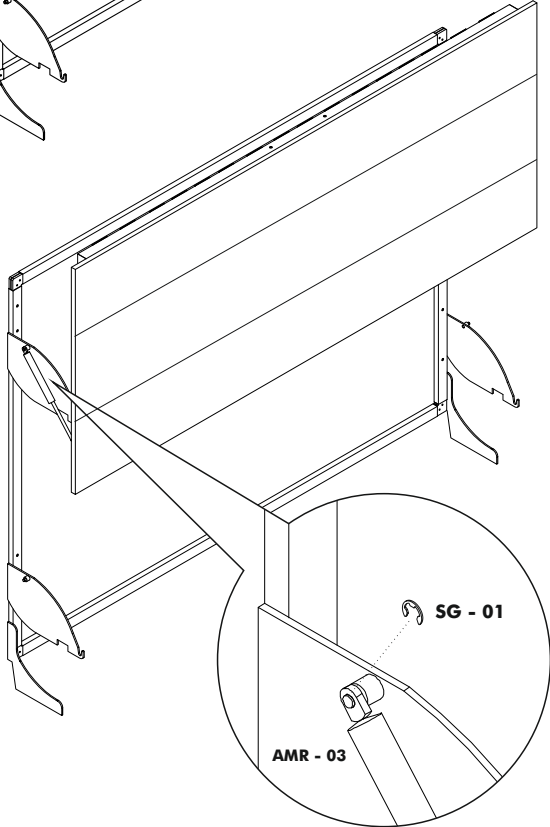
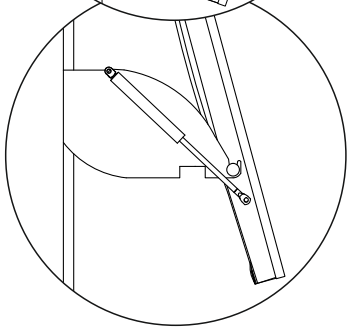
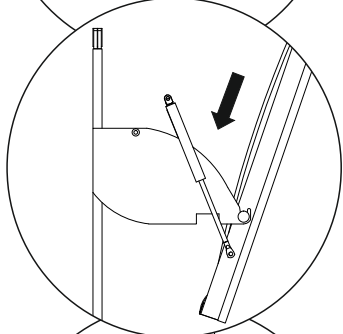
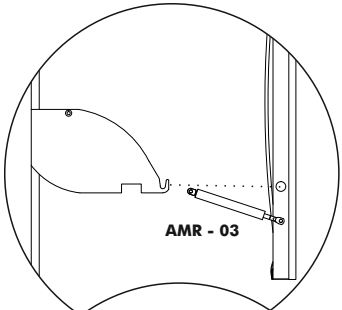
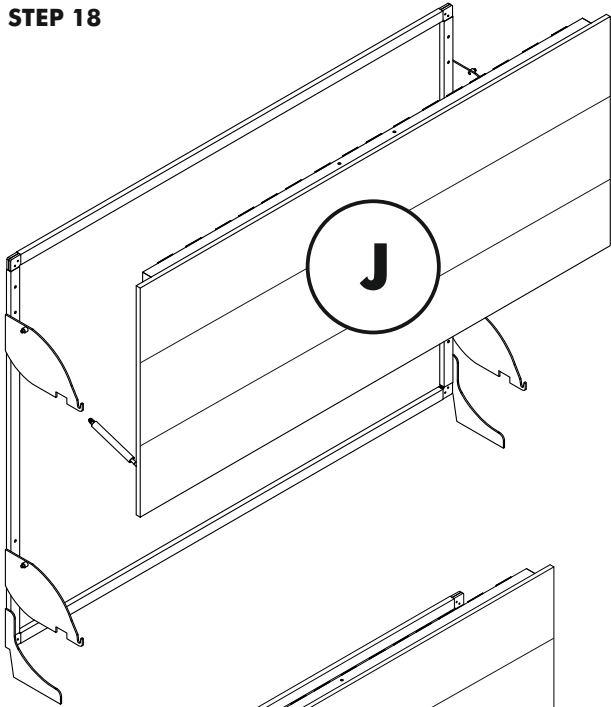


**VIDEO**



link

**STEP 18**

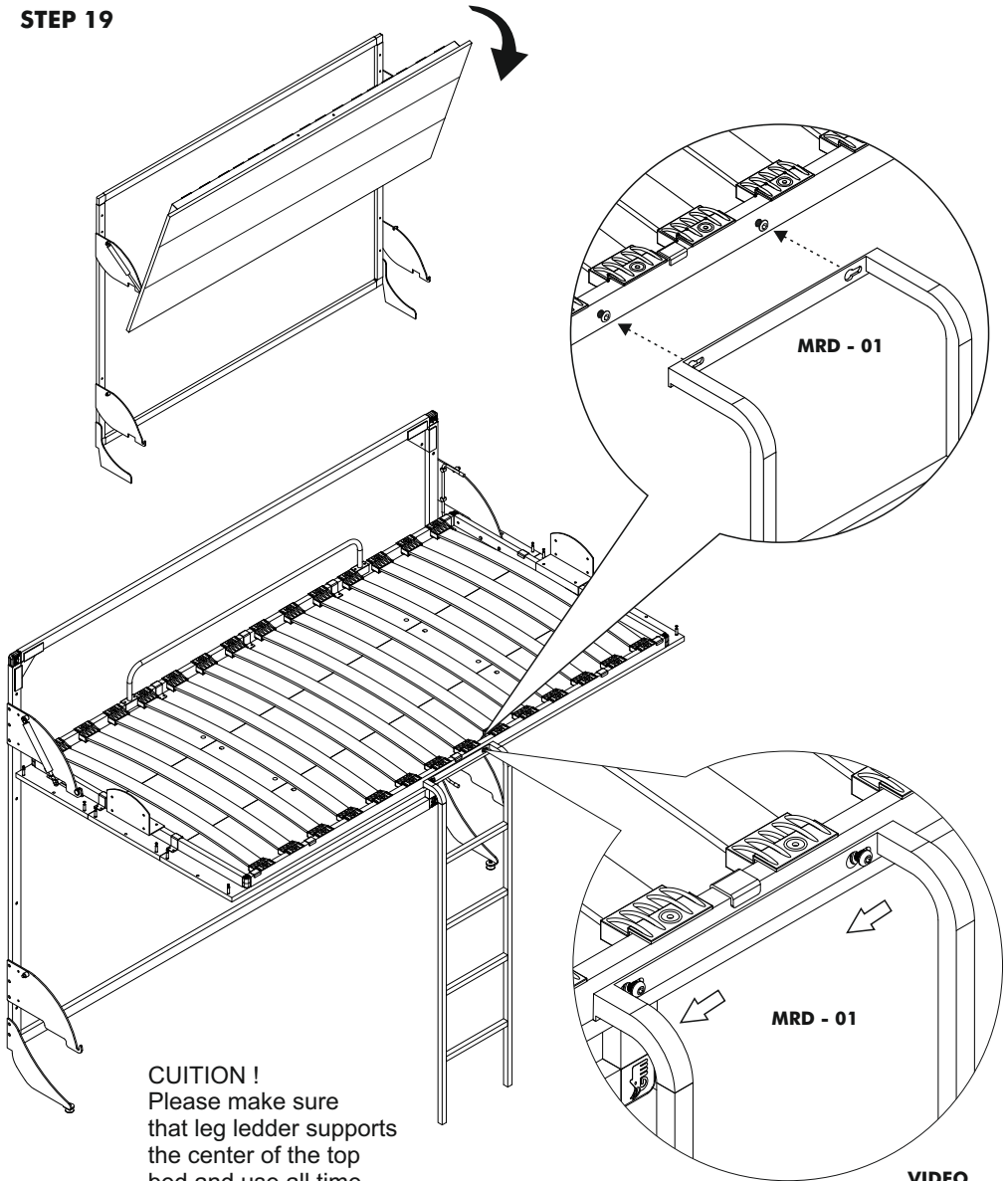


**VIDEO**



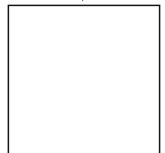
link

STEP 19



**CAUTION !**  
Please make sure  
that leg ledder supports  
the center of the top  
bed and use all time  
when the bed is opened

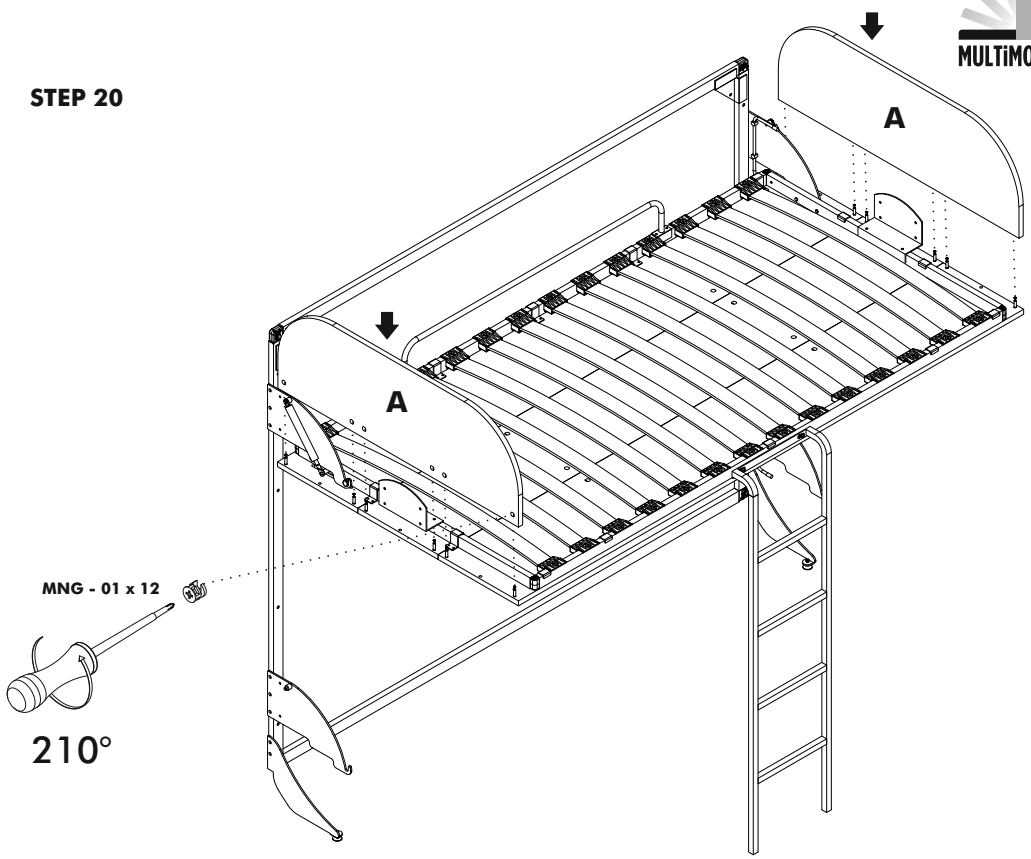
VIDEO



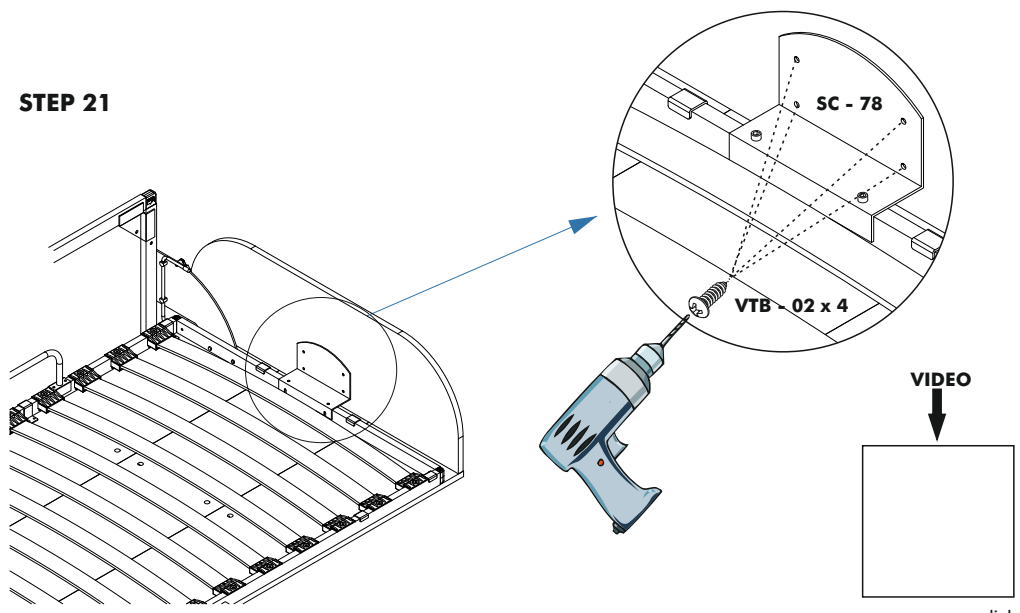
link



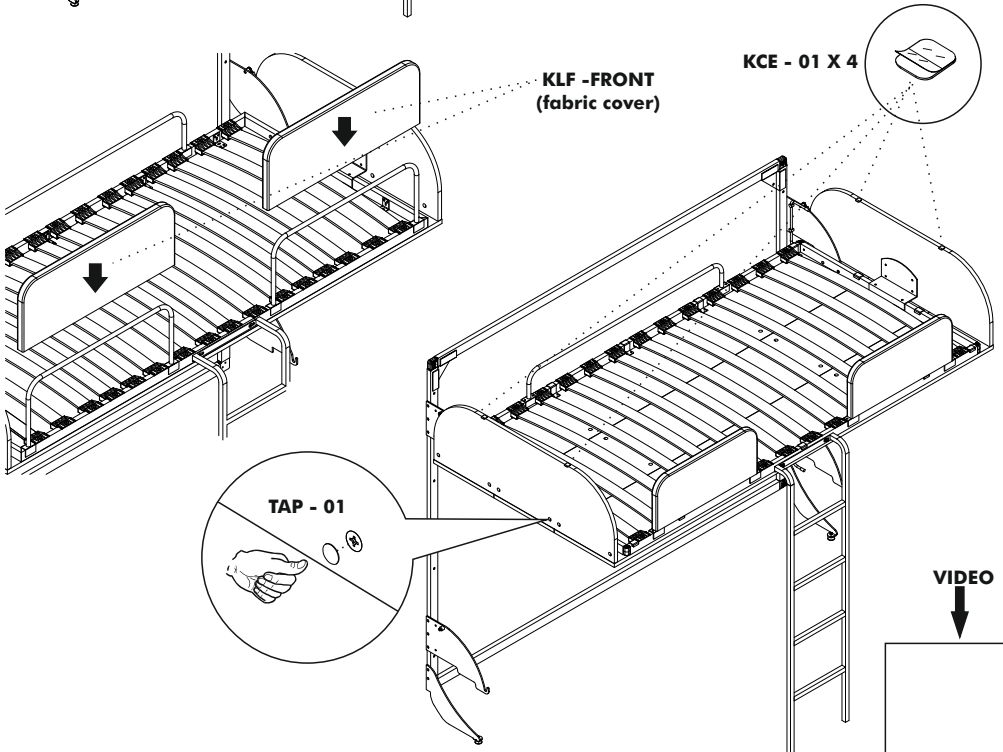
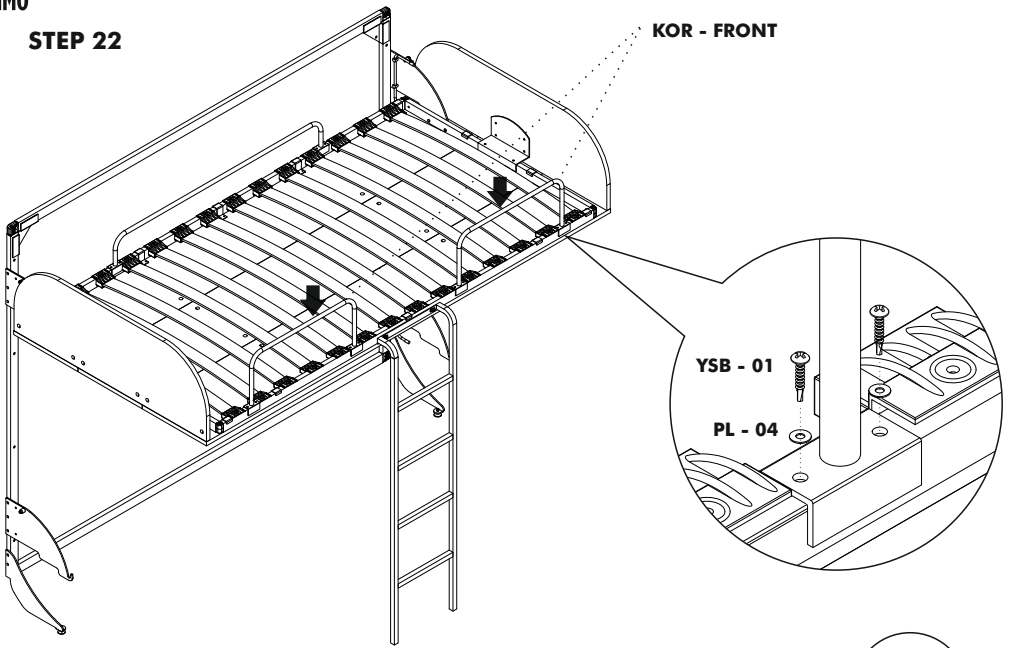
**STEP 20**



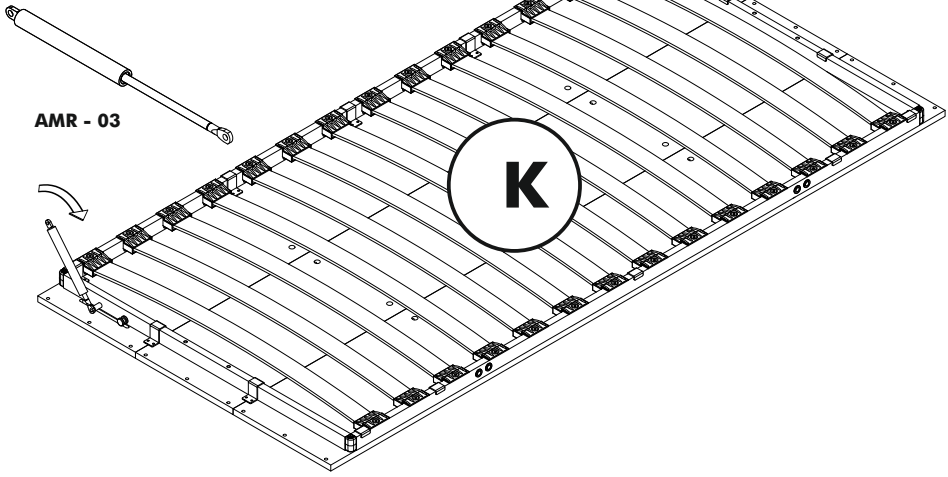
**STEP 21**



STEP 22

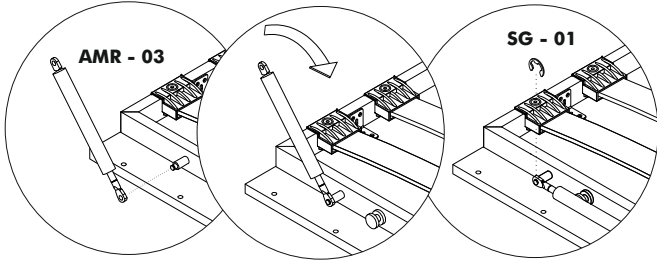


**STEP 23**



**AMR - 03**

**K**



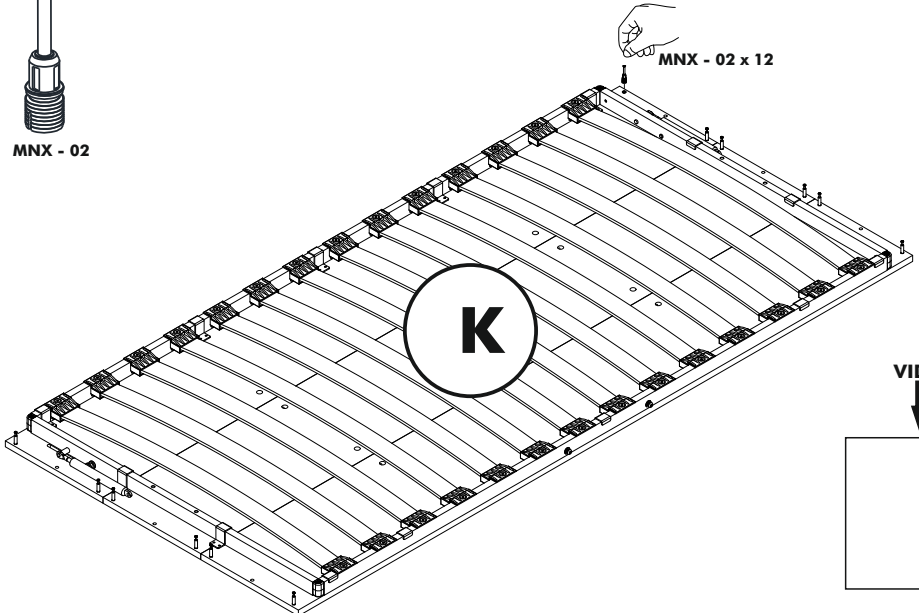
**AMR - 03**

**SG - 01**

**STEP 24**



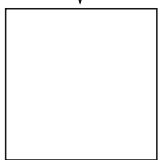
**MNX - 02**



**MNX - 02 x 12**

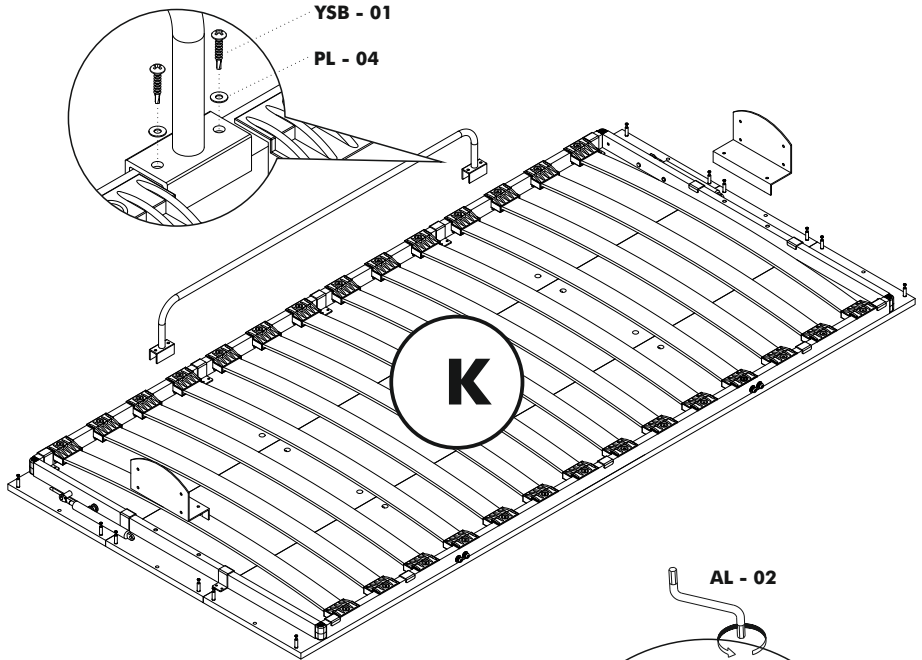
**K**

**VIDEO**

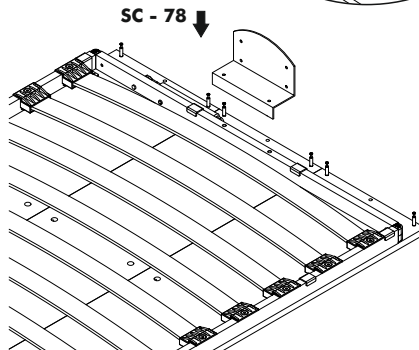
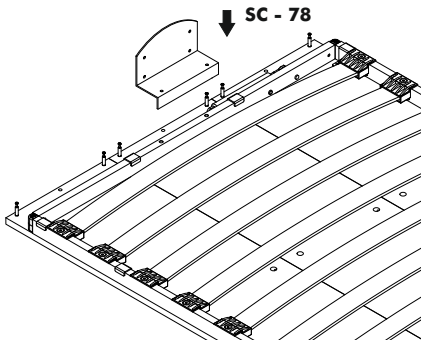
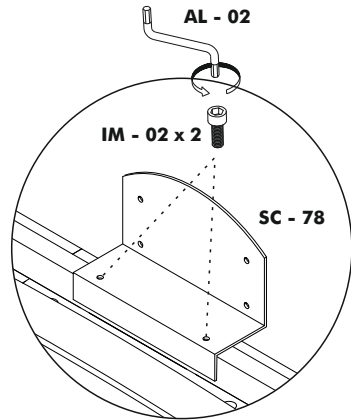


link

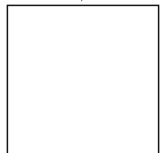
**STEP 25**



**STEP 26**

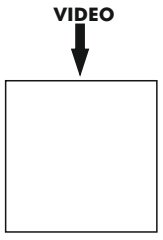
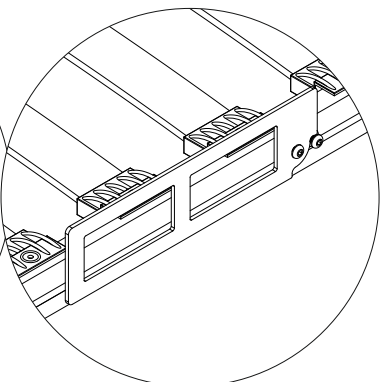
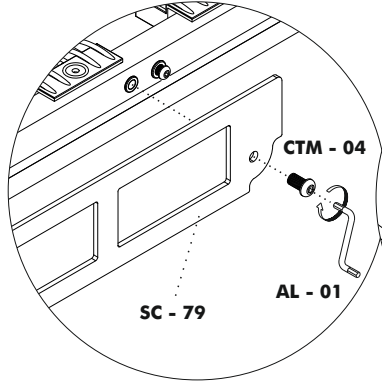
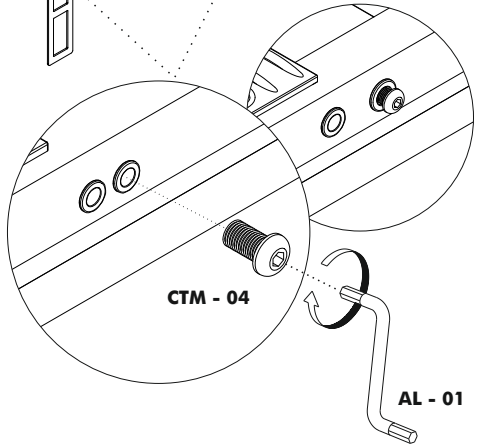
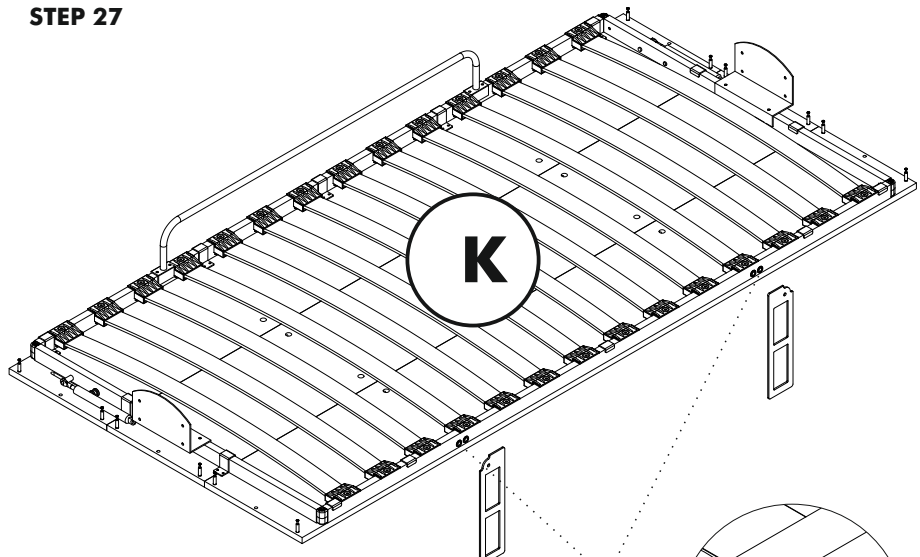


**VIDEO**

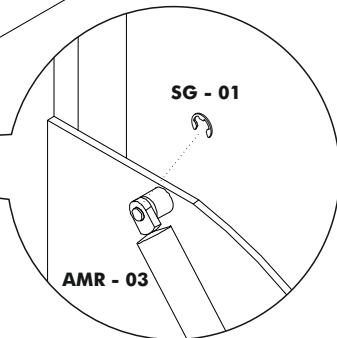
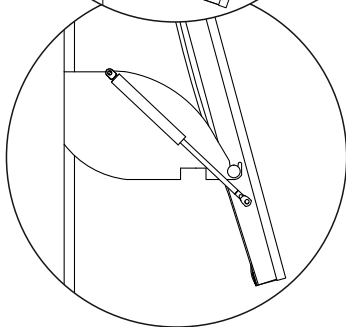
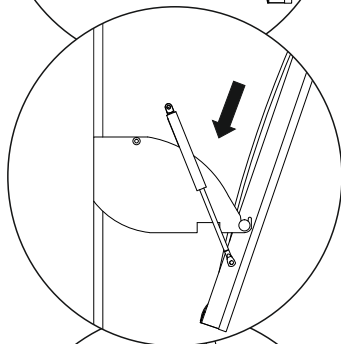
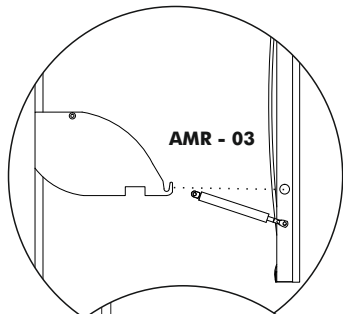
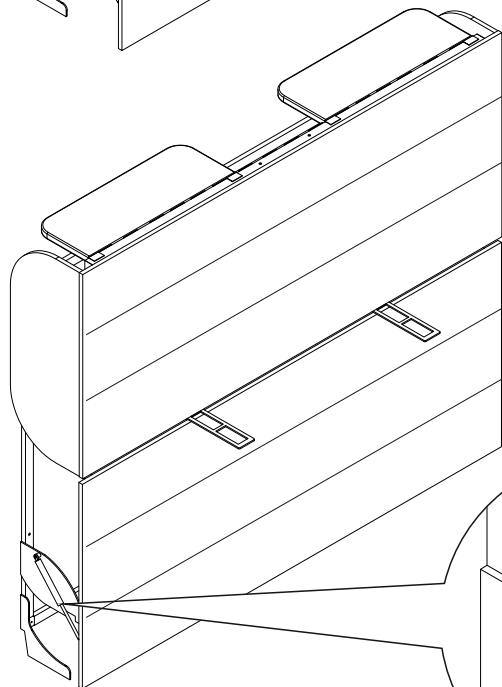
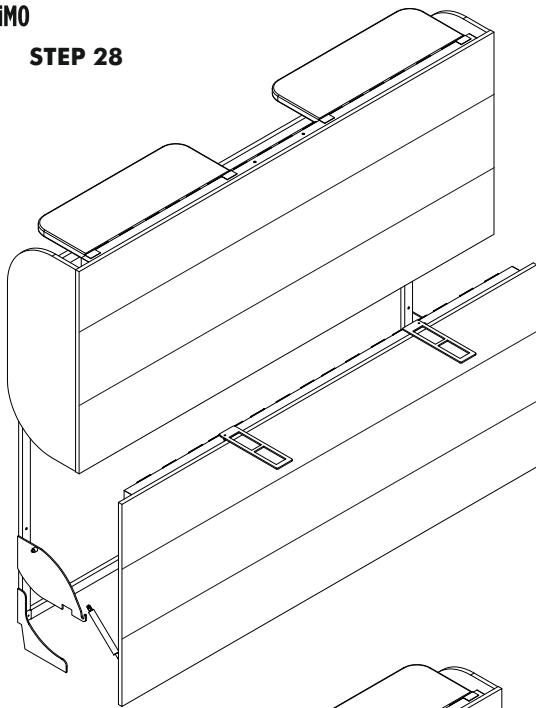


link

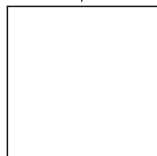
**STEP 27**



STEP 28

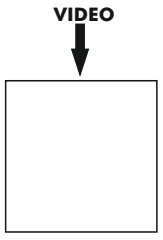
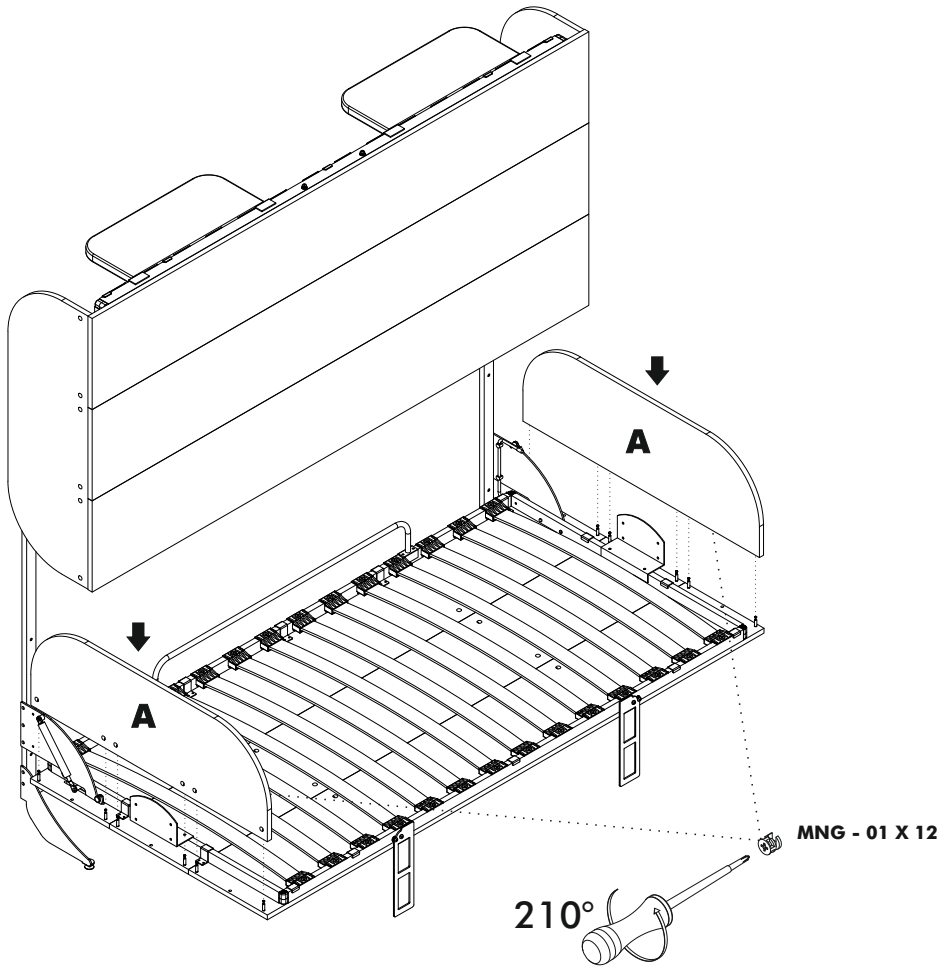


VIDEO



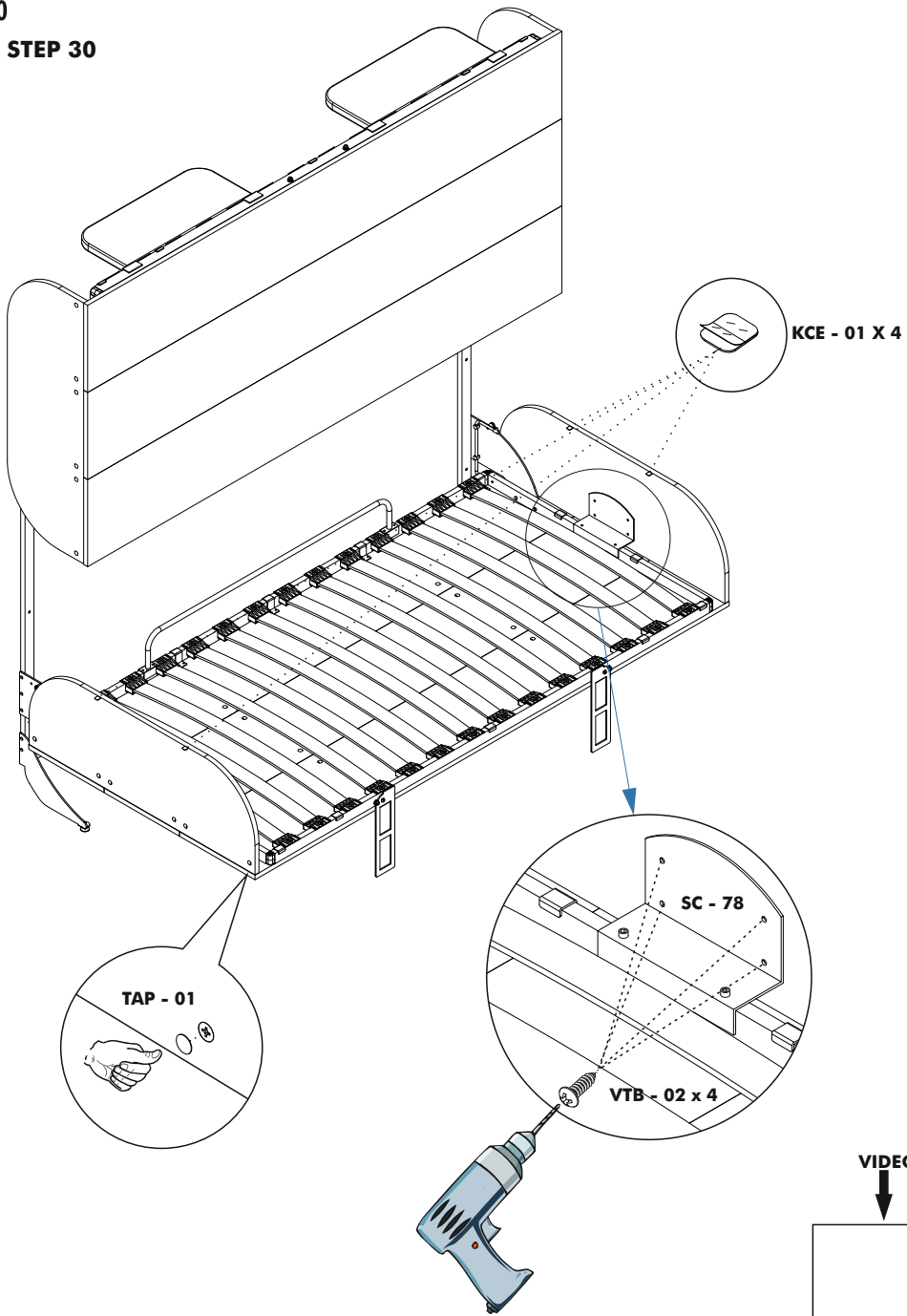
link

**STEP 29**



link

STEP 30

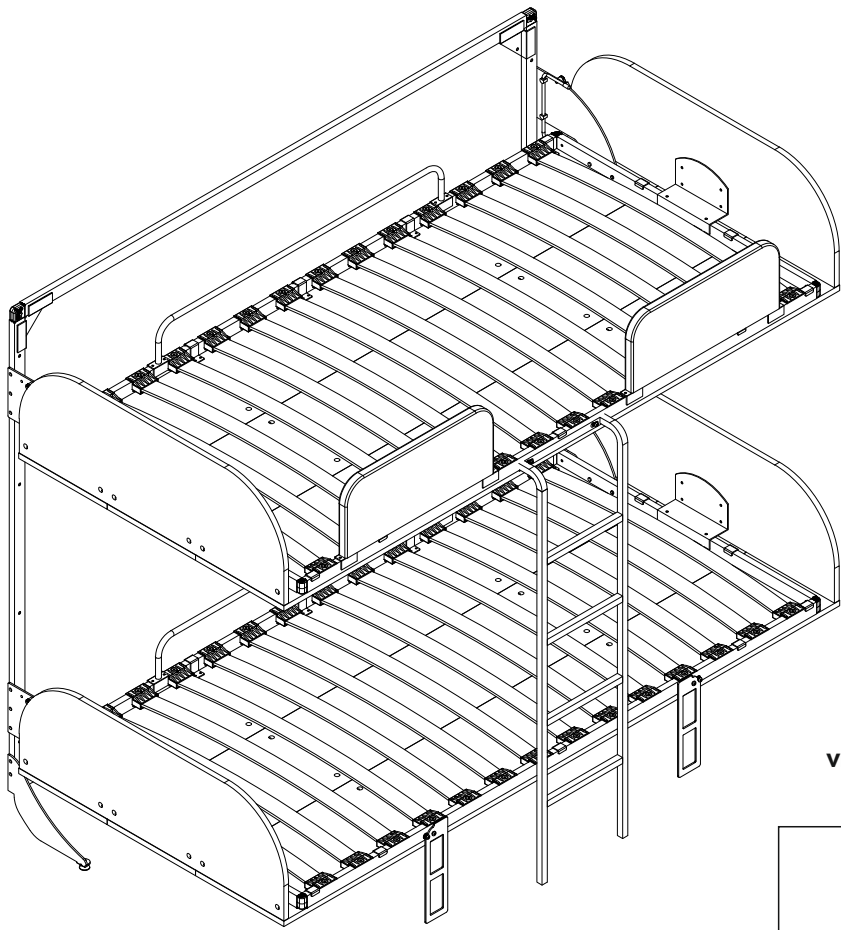
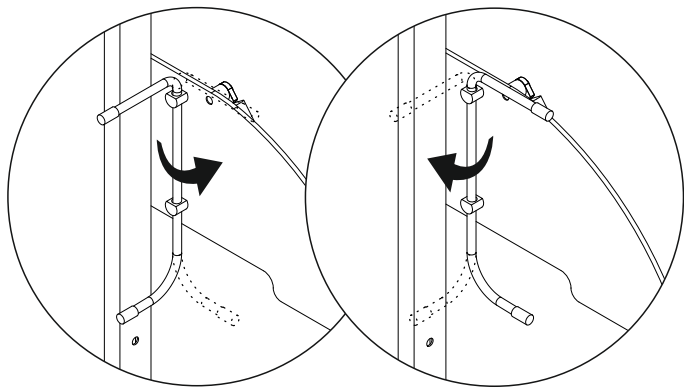




**STEP 31**

**1. BED CLOSED**

**2. BED OPEN**



**VIDEO**



link

## ATTENTION / HOW TO / READ ME / OWNER'S GUIDE

1. Unless an item is free standing, when mounting on a regular drywall, furniture must be fastened to wood or metal studs. Solid walls made of brick, concrete or similar materials are also acceptable. Do not mount furniture on to paper-mache or sheetrock like material without properly affixing it to stud.
2. For safety and longevity of the product you must periodically inspect the mounting and mechanical connections for integrity and tightness. Confirm that hardware remains properly affixed and connections are snug.
3. Unless noted otherwise on the product page, Wall Bed mattress thickness may not exceed 6,29 inch. Make sure to remove pillows and excess blankets before closing. This keeps mechanism free of obstructions and unnecessary stress.
4. Do not lean or rest heavy objects on sides or top of furniture. This may cause balance issues and compromise the integrity of your mounting connections.
5. Please use beds, desks and shelving as intended. Improper use may cause personal injury and damage to property.
6. With seasonal humidity change you must inspect interior and exterior of furniture.
7. Single, Twin, Twin XL beds accommodate the weight of one person, up to 250 lb. Exceeding recommended weight restrictions may lead to personal injury and property damage.
8. Before any un-mounting or disassembly please contact Multimo for technical support and instructions. Failure to properly detach wall bed may result in personal injury and property damage.
9. Some wall beds have legs that fully extend when open - be aware of where the leg is and will be.



## WARNINGS

### IMPORTANT! HAZARD WARNING!

All Wall Beds contain sophisticated and powerful lifting mechanism.  
Failure to follow assembly and installation instructions may result in **severe personal injury and damage of the product.**

### SECURE RIGIDLY TO A WALL!

Improper attaching wall bed to a wall will create a tip-over hazard and may result in severe personal injury or even death.

**ONLY qualified installers should install or remove a wall bed.**

10. For Bunk Beds:

- a. Always use provided ladder when accessing top bunk.
- b. Be slow, careful and aware of surroundings when opening top bunk.
- c. Do not horseplay. Beds are to be slept on only.



## WARNINGS

**To help prevent serious or fatal injuries due to entrapment or falls**

- Never allow a child under 6 on upper bunk.
- Use only Twin/Twin XL size mattress on upper bunk.
- Ensure mattress thickness doesn't exceed 6", and that mattress surface at least 5" below upper edge of guard rails



## WARRANTY

### RETAIL RESIDENTIAL TERM

Lifetime guarantee on hardware.  
**5 year** structural guarantee on cabinetry.

---

### COMMERCIAL TERM

Lifetime guarantee on hardware.  
**2 year** structural guarantee on cabinetry.



**MULTiMO**

[www.multimo.com](http://www.multimo.com)