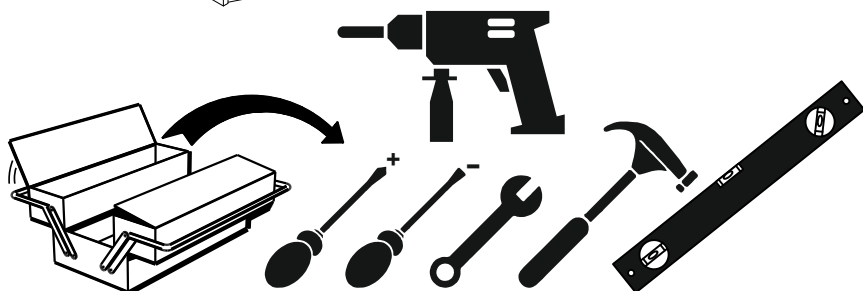
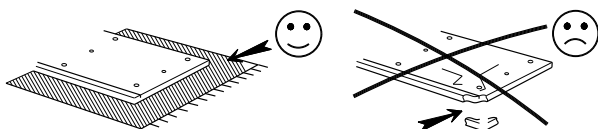
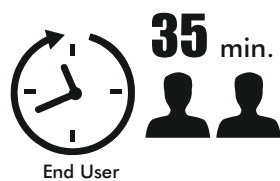
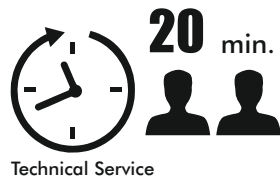
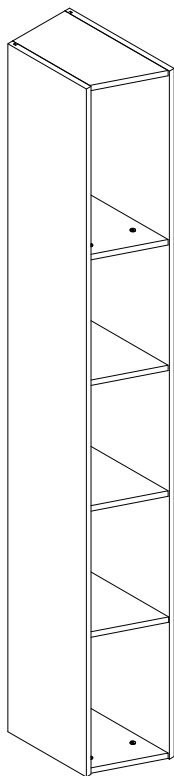


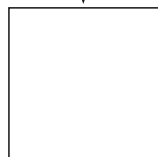


MULTIMO

222- ROYAL CROSS



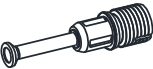

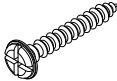


VIDEO

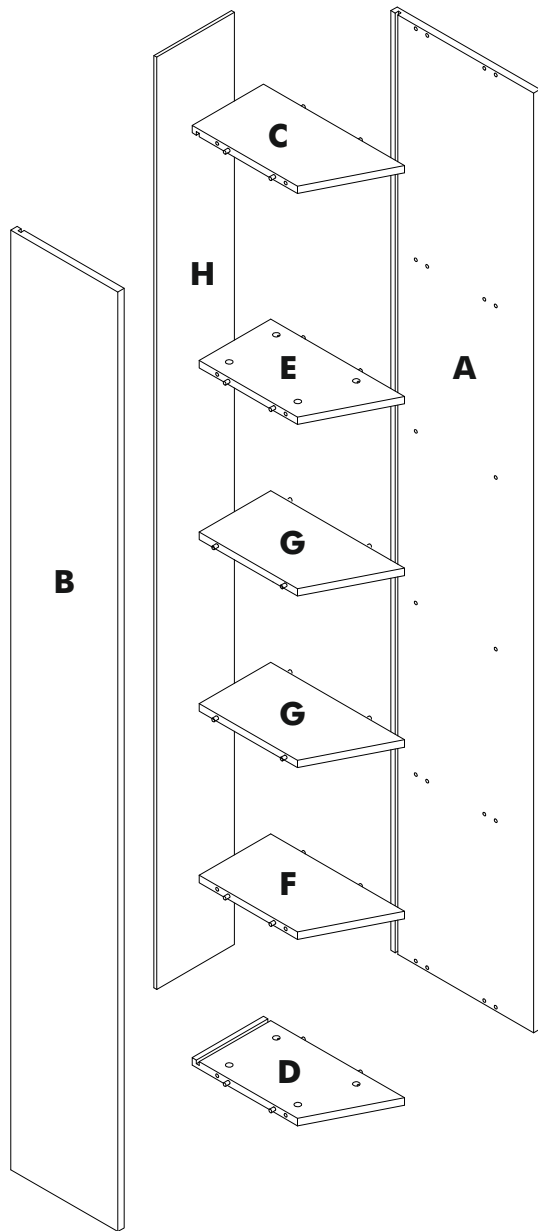


link

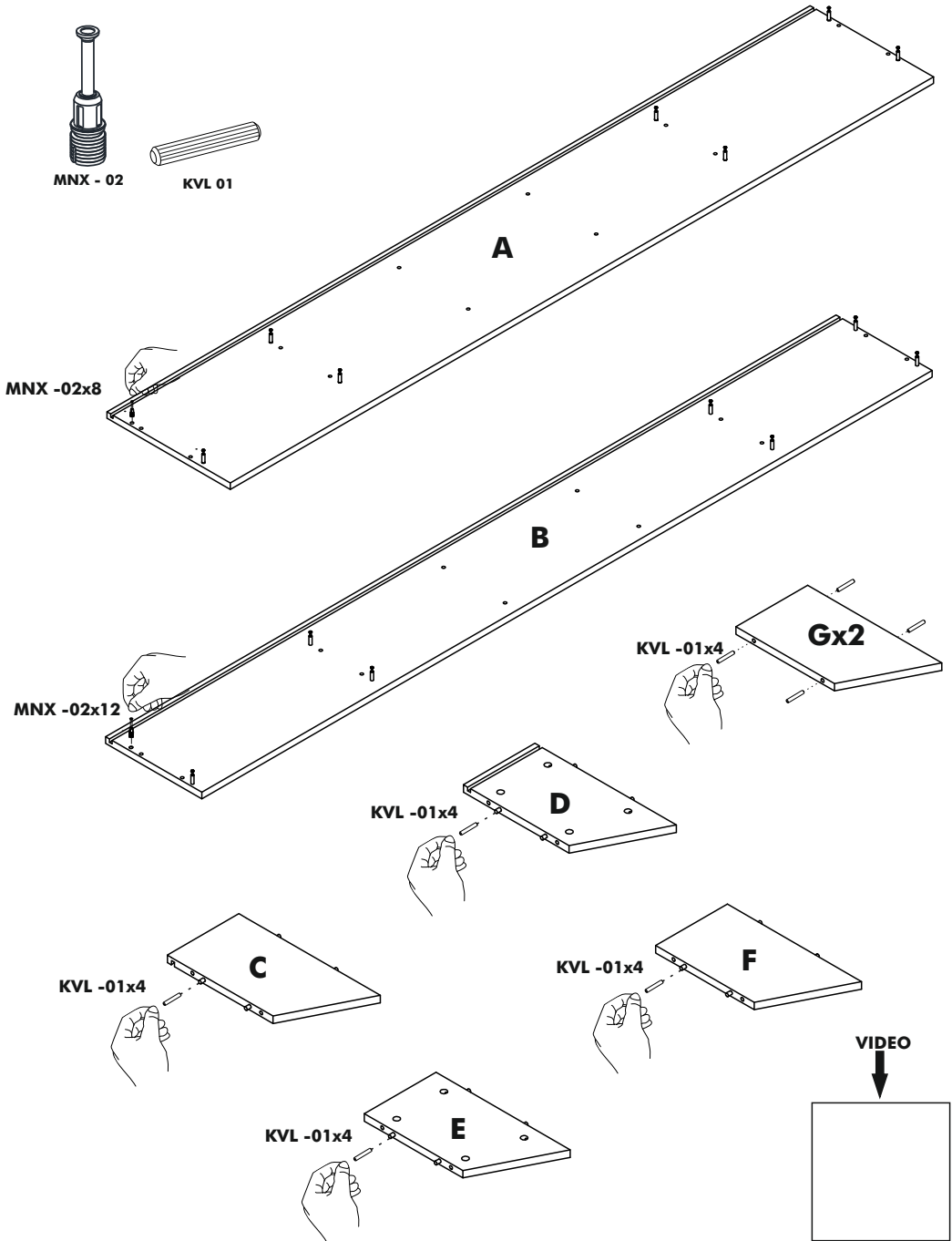
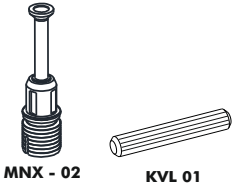
Track Title	Piece	(inch)			(mm)			
		Thickness	Length	Width	Piece	Thick	Height	Most
A		0,71	89,76	17,72	1	18	2280	450
B		0,71	89,76	13,78	1	18	2280	350
C		0,71	17,13	7,87	1	18	435	200
D		0,71	17,13	7,87	1	18	435	200
E		0,71	16,34	7,87	1	18	415	200
F		0,71	16,34	7,87	1	18	415	200
G		0,71	16,34	7,87	2	18	415	200
H		0,31	89,02	8,54	1	8	2261	217

Accessories List

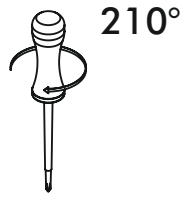
<p>MNX 02</p>  <p>16 / piece</p>	<p>MNG - 01</p>  <p>16 / piece</p>	<p>VD - 02 (3,5x25) mm</p>  <p>4 / piece</p>	<p>KVL 01</p>  <p>24 / piece</p>
<p>TAP - 01</p>  <p>16 / piece</p>			



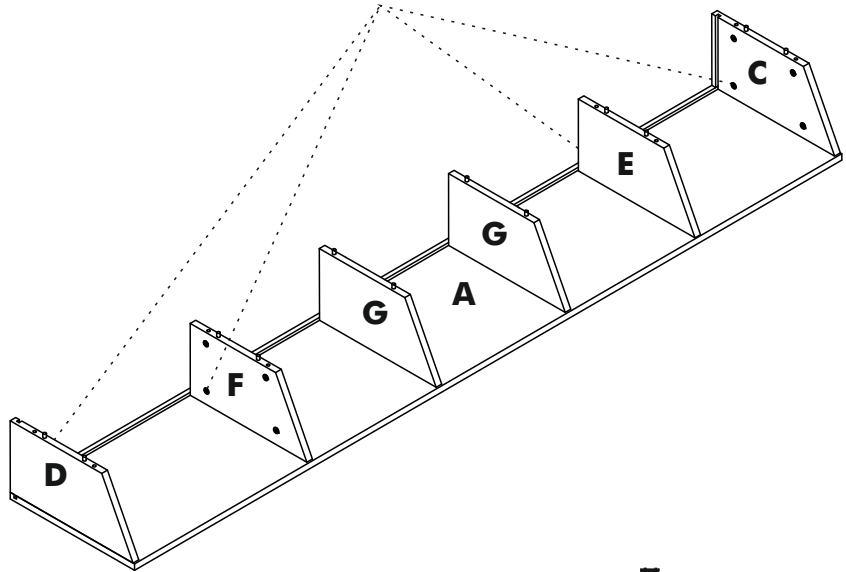
STEP 1



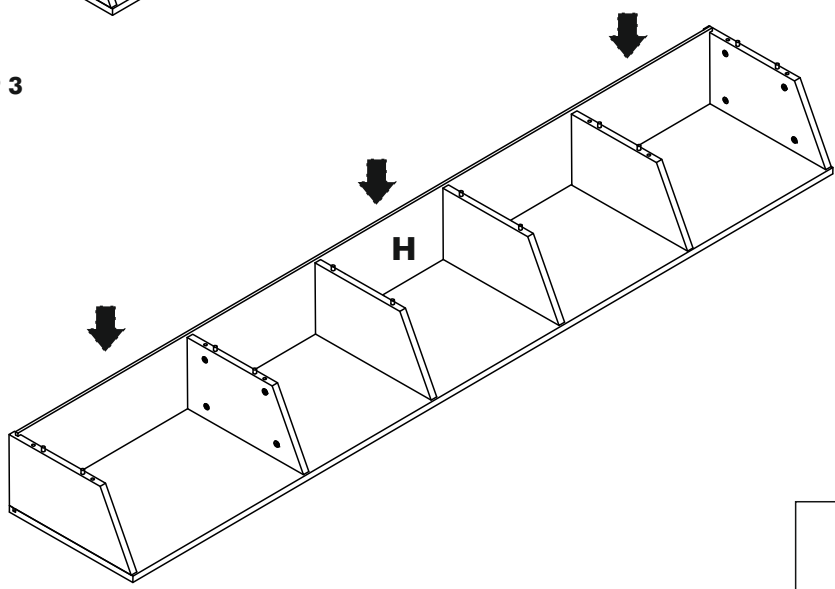
STEP 2



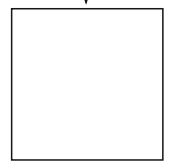
MNG - 01 X 8



STEP 3



VIDEO

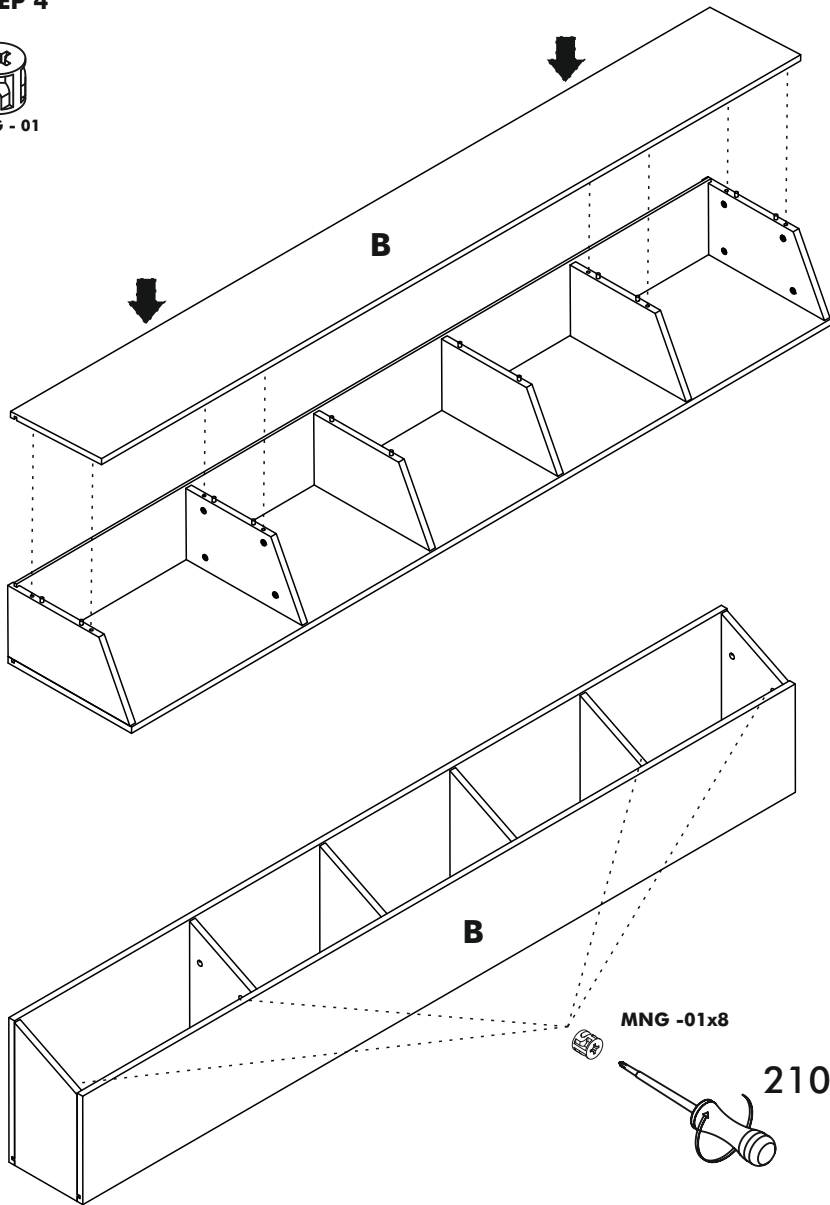


link

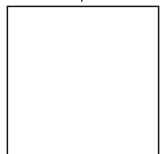
STEP 4



MNG - 01

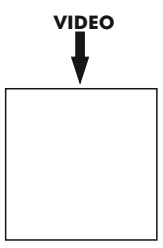
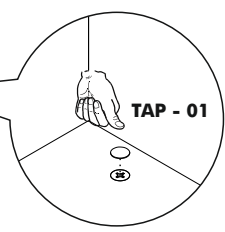
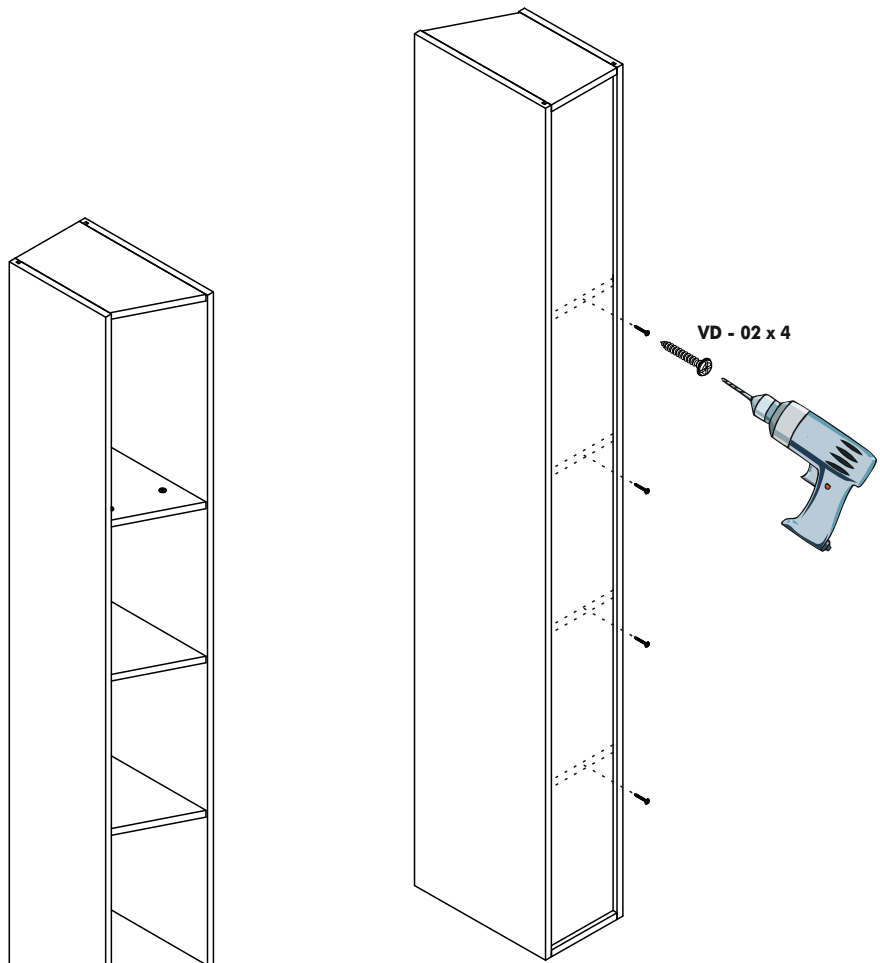


VIDEO



link

STEP 5





MULTiMO

www.multimo.com