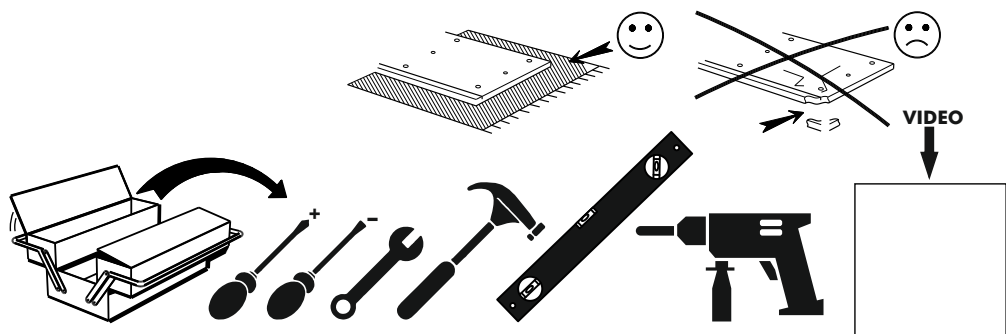
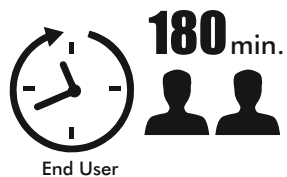
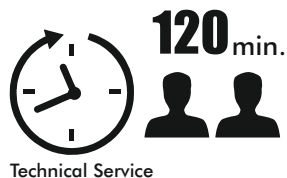
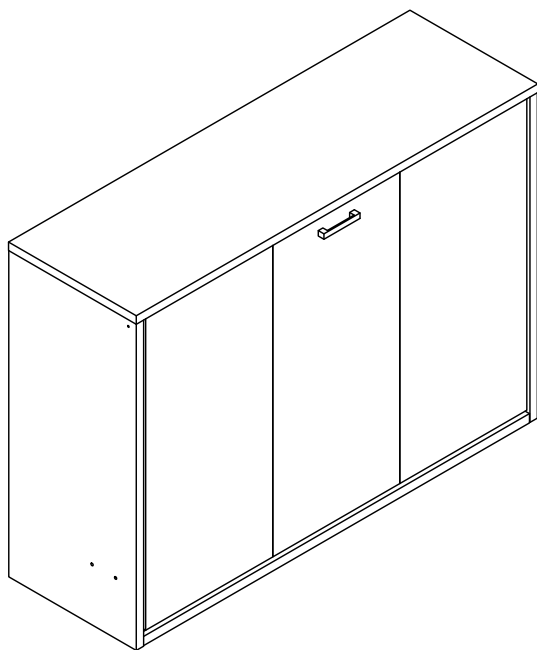




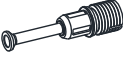

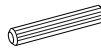

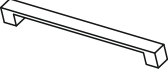


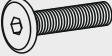


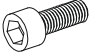
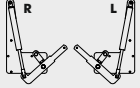





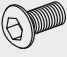
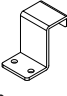
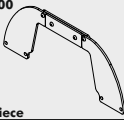
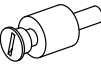
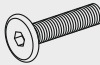


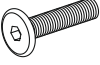


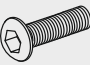
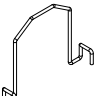
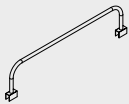
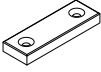

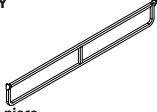


# MULTIMO

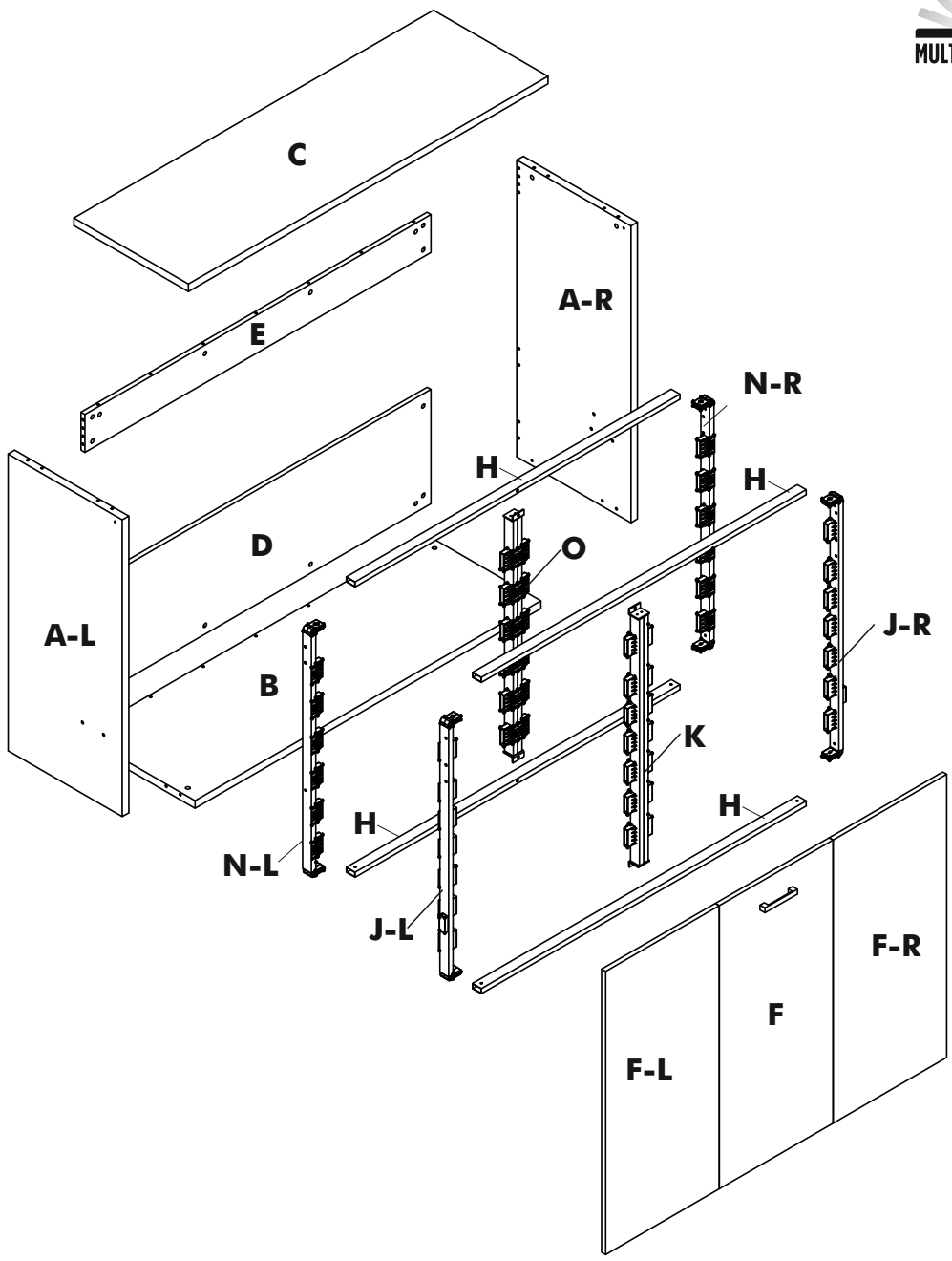
## 215- CAPSULE DOUBE FOLDING QUEEN BED

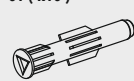

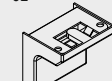




Track Title	Piece	(inch)			(mm)			
		Thickness	Length	Width	Piece	Thick	Height	Most
<b>A</b>	2	1,18	46,06	20,47	2	30	1170	520
<b>B</b>	1	1,18	62,05	20,47	1	30	1576	520
<b>C</b>	1	1,18	64,49	20,51	1	30	1638	521
<b>D</b>	1	0,71	62,05	17,72	1	18	1576	450
<b>E</b>	1	0,71	62,05	5,91	1	18	1576	150
<b>F</b>	1	0,71	43,98	20,39	1	18	1117	518
<b>F-R / F-L</b>	2	0,71	43,98	20,39	2	18	1117	518

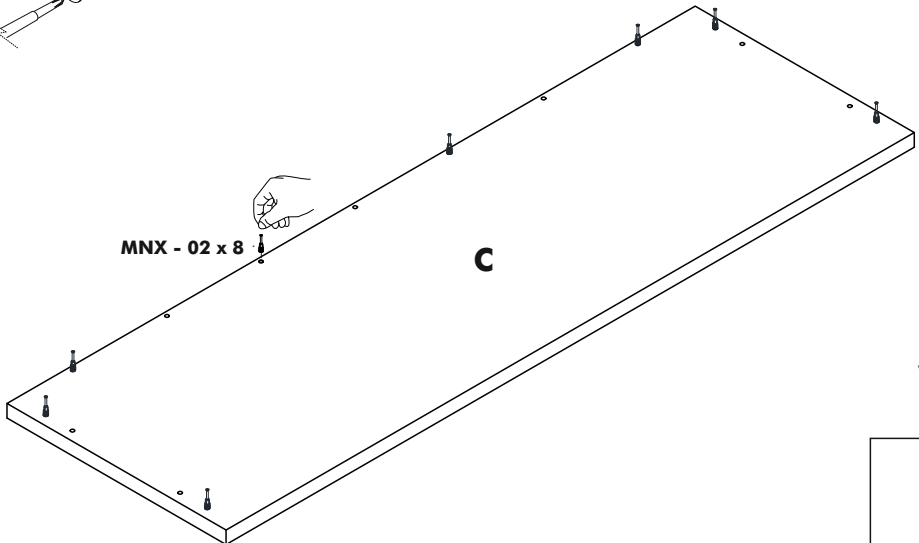
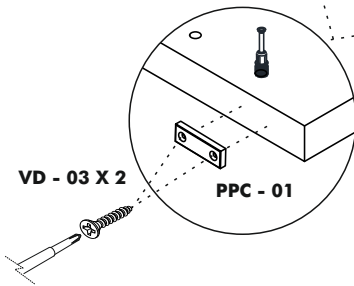
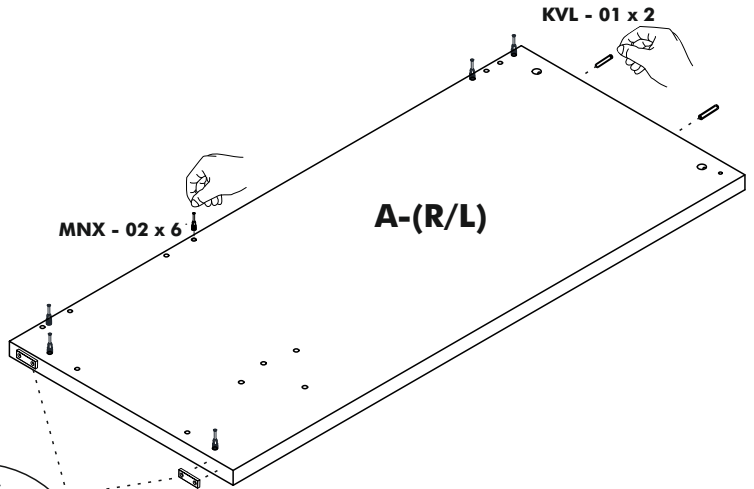
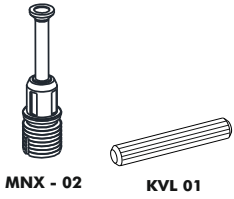
### Accessories List

<b>MNX 02</b>  24 / piece <b>MNX - 03</b>	<b>MNG - 01</b>  44 / piece <b>YSB - 01 ( 3,9x16 ) mm</b>	<b>KVL 01</b>  30 / piece <b>CT - 01 ( 6x40 ) mm</b>	<b>TAP - 01</b>  44 / piece <b>OT-054</b>	<b>KP - 01 ( 224 ) mm</b>  1 / piece <b>VKP - 01 (22) mm</b>
 10 / piece <b>IM - 01 (6x30) mm</b>	 4 / piece <b>MKZ - 01/02 D</b>	 2 / piece <b>PL - 04 (5x12x0,7) mm</b>	 2 / piece <b>LTA - 01</b>	 2 / piece <b>VTB - 02 (4,2x16) mm</b>
 4 / piece <b>SC-99</b>	 1 / piece <b>MKZ - 01/02 D</b>	 4 / piece <b>PL - 04 (5x12x0,7) mm</b>	 26 / piece <b>LTA - 01</b>	 32 / piece <b>VTB - 02 (4,2x16) mm</b>
 2 / piece <b>SC-99</b>	 8 / piece <b>SKT - 01</b>	 8 / piece <b>CTM - 01 ( 6x10 ) mm</b>	 12 / piece <b>SC-110</b>	 2 / piece <b>SC-100</b>
 2 / piece <b>OT 10</b>	 4 / piece <b>CT - 04 ( 6x20 ) mm</b>	 2 / piece <b>PL - 05 (8x16x2) mm</b>	 10 / piece <b>SN - 02 ( M8 )</b>	 2 / piece <b>CT - 05 ( 6x35 ) mm</b>
 2 / piece <b>PL-006</b>	 2 / piece <b>SN - 01 ( M6 )</b>	 8 / piece <b>CTM - 02 ( 8x35 ) mm</b>	 2 / piece <b>TTC 01</b>	 1 / piece <b>KOR</b>
 4 / piece <b>PPC 01</b>	 12 / piece <b>VD - 03 ( 3,5x18 ) mm</b>	 1 / piece <b>SAY</b>	 1 / piece <b>AL - 01 (4MM)</b>	 1 / piece <b>AL - 02 (5MM)</b>



<p><b>DD - 01 ( R10 )</b></p>  <p>2 / piece</p>	<p><b>VD - 01(6X70) mm</b></p>  <p>2 / piece</p>	<p><b>DSE - 02</b></p>  <p>2 / piece</p>	<p><b>KMT-01</b></p>  <p>1 / piece</p>	<p><b>KLF -F (fabric cover)</b></p>  <p>1 / piece</p>
---	---	---	---	---

STEP 1

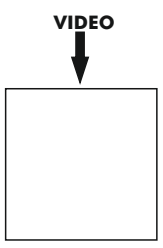
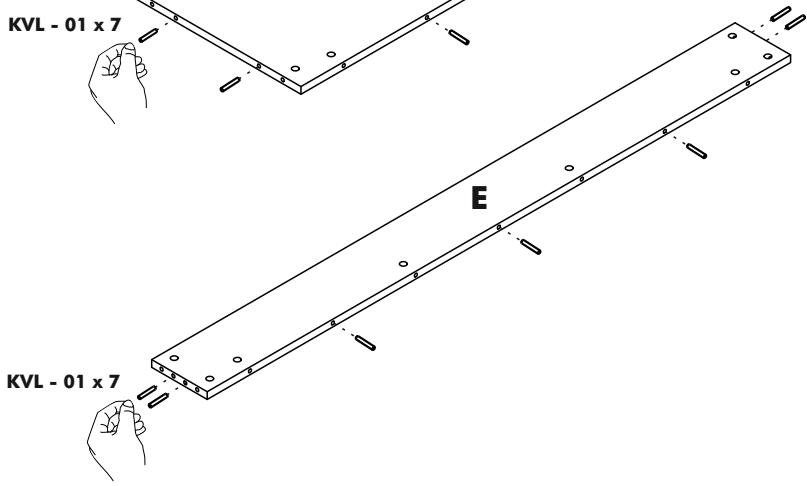
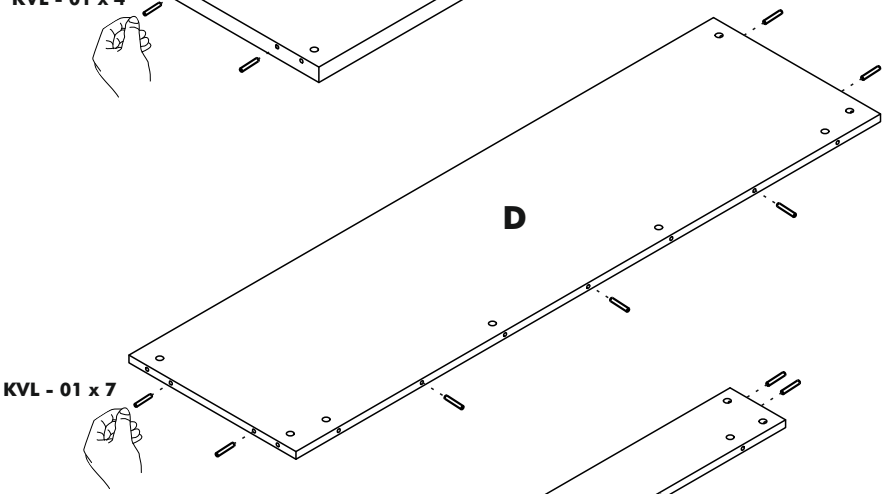
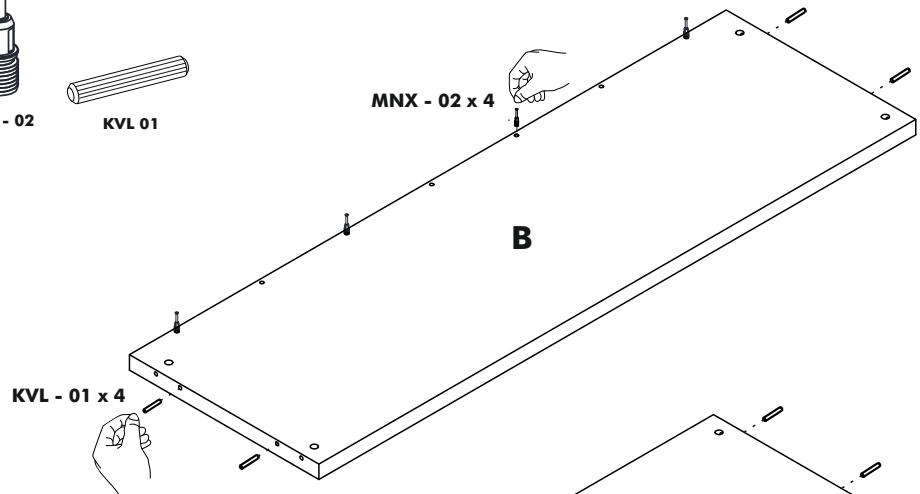
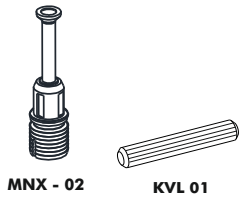


VIDEO



link

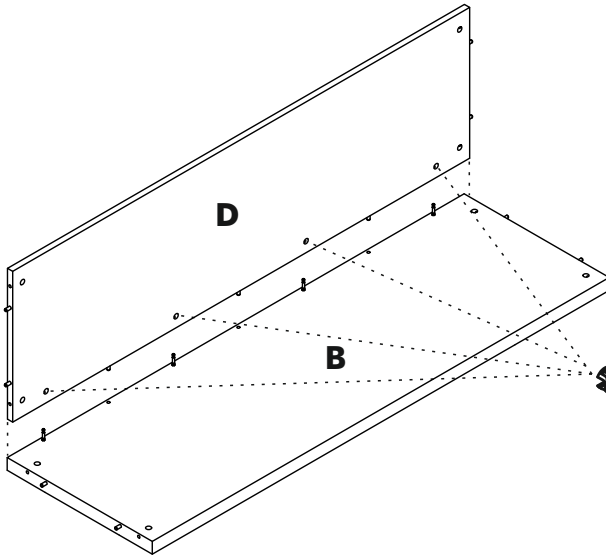
**STEP 2**



**STEP 3**



MNG - 01



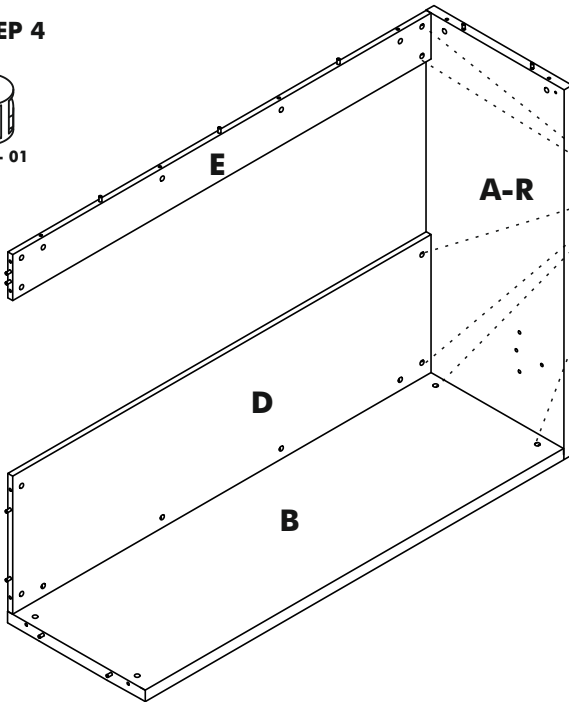
MNG - 01 x 4

210°

**STEP 4**



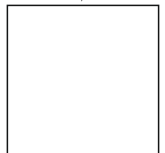
MNG - 01



MNG - 01 x 6

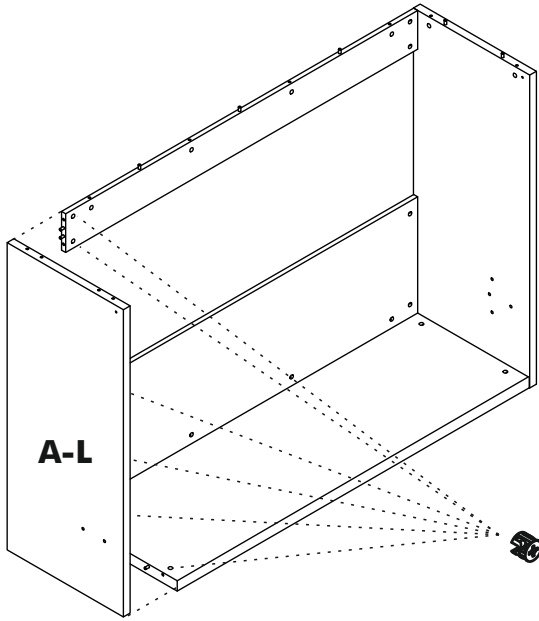
210°

**VIDEO**

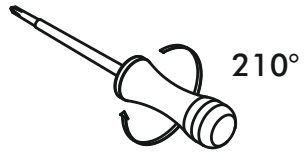


link

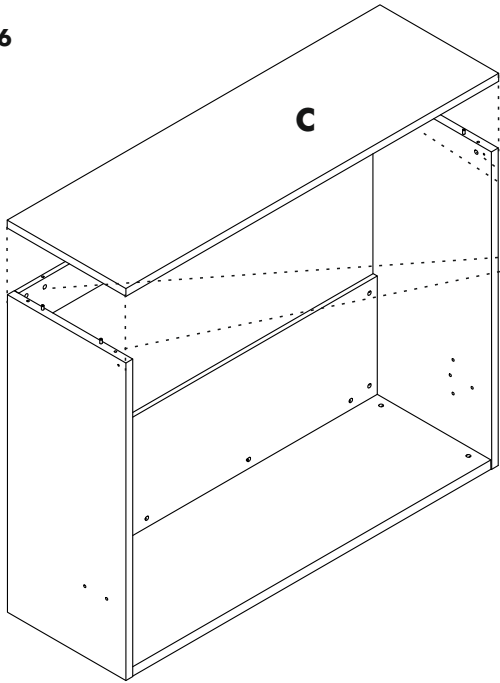
**STEP 5**



MNG - 01 x 6



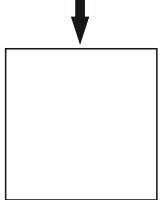
**STEP 6**



MNG - 01 x 8

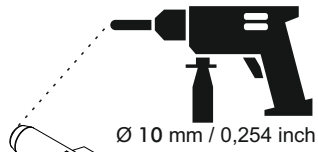


**VIDEO**



link

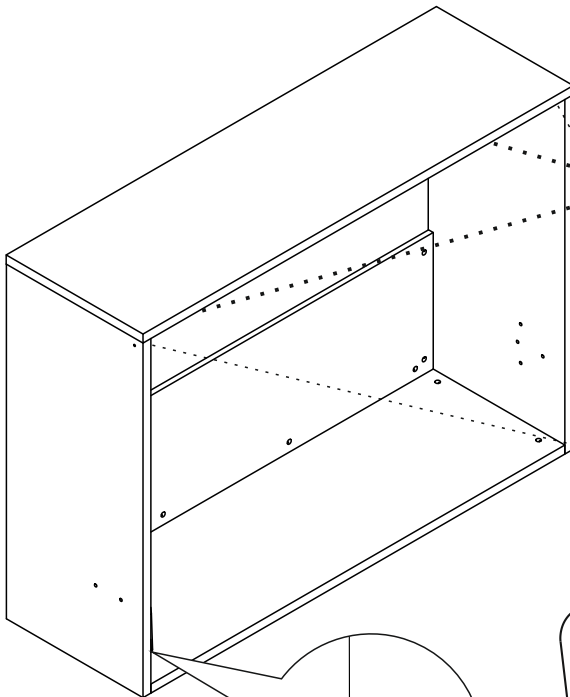
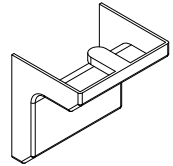
STEP 7



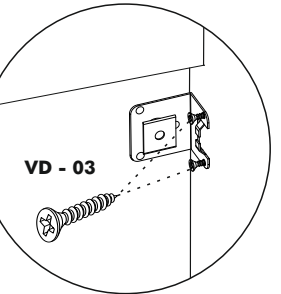
DD - 01

DSE - 02

VD - 01

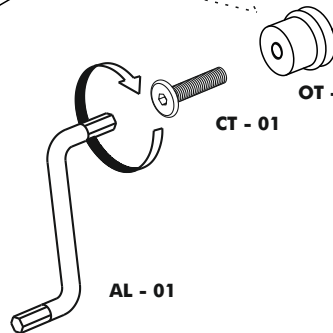


VD - 03

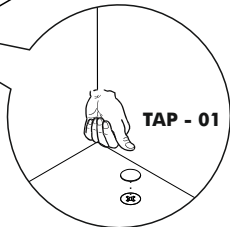


OT - 54

CT - 01

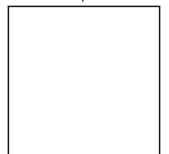


AL - 01



TAP - 01

VIDEO

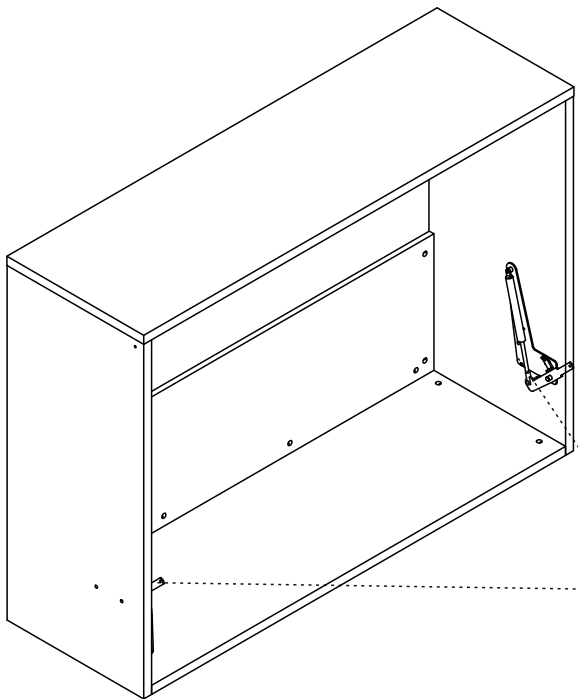
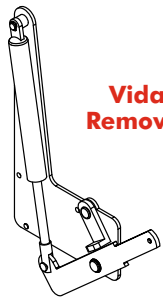


link

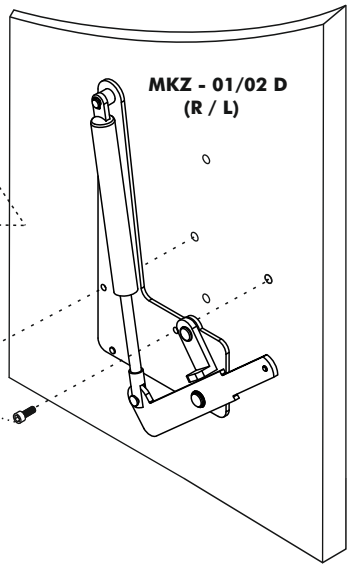


**STEP 8**

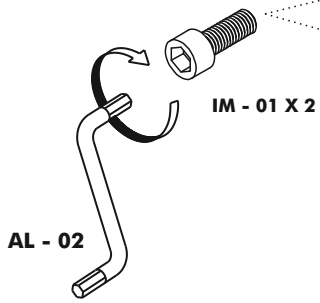
**Vidayı çıkarın  
Remove the screw**



**CAUTION  
DO NOT UNLOCK BEFORE INSTALL**



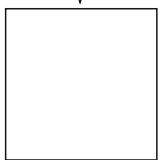
**MKZ - 01/02 D  
(R / L)**



**IM - 01 X 2**

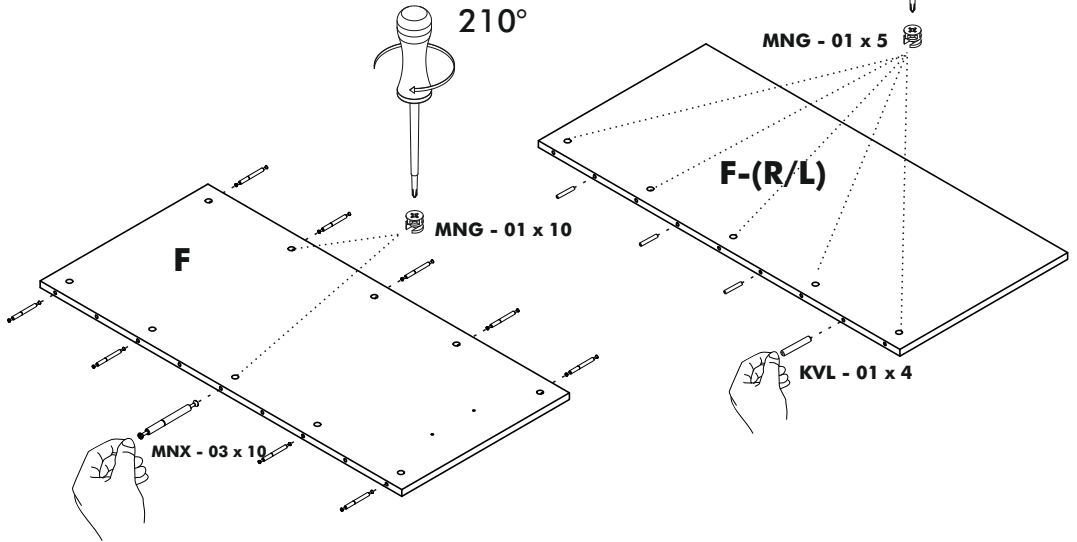
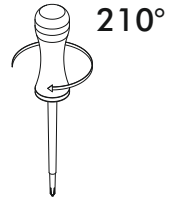
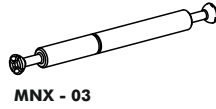
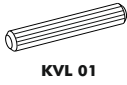
**AL - 02**

**VIDEO**

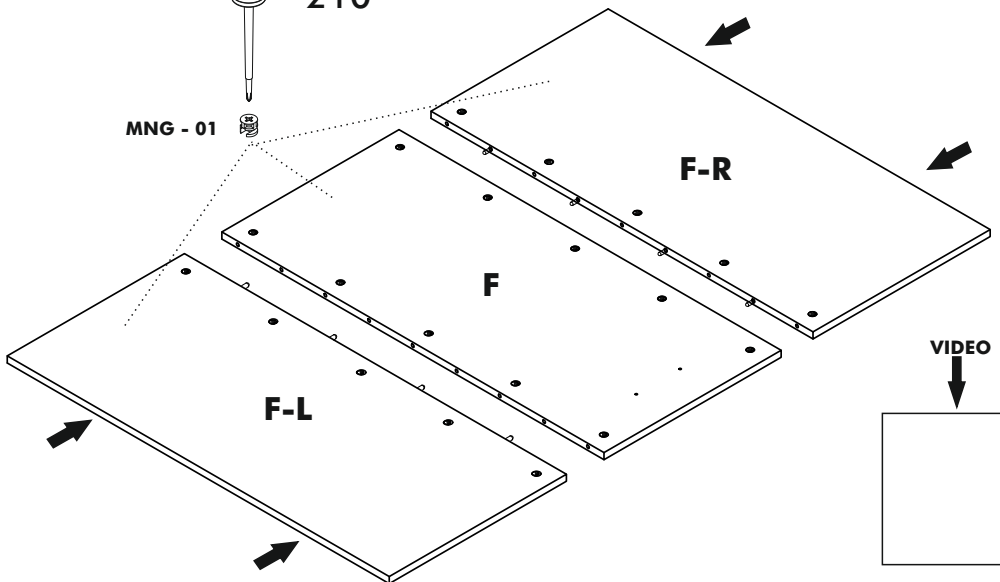
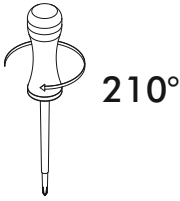


link

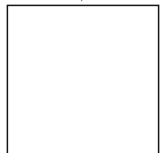
STEP 9



STEP 10



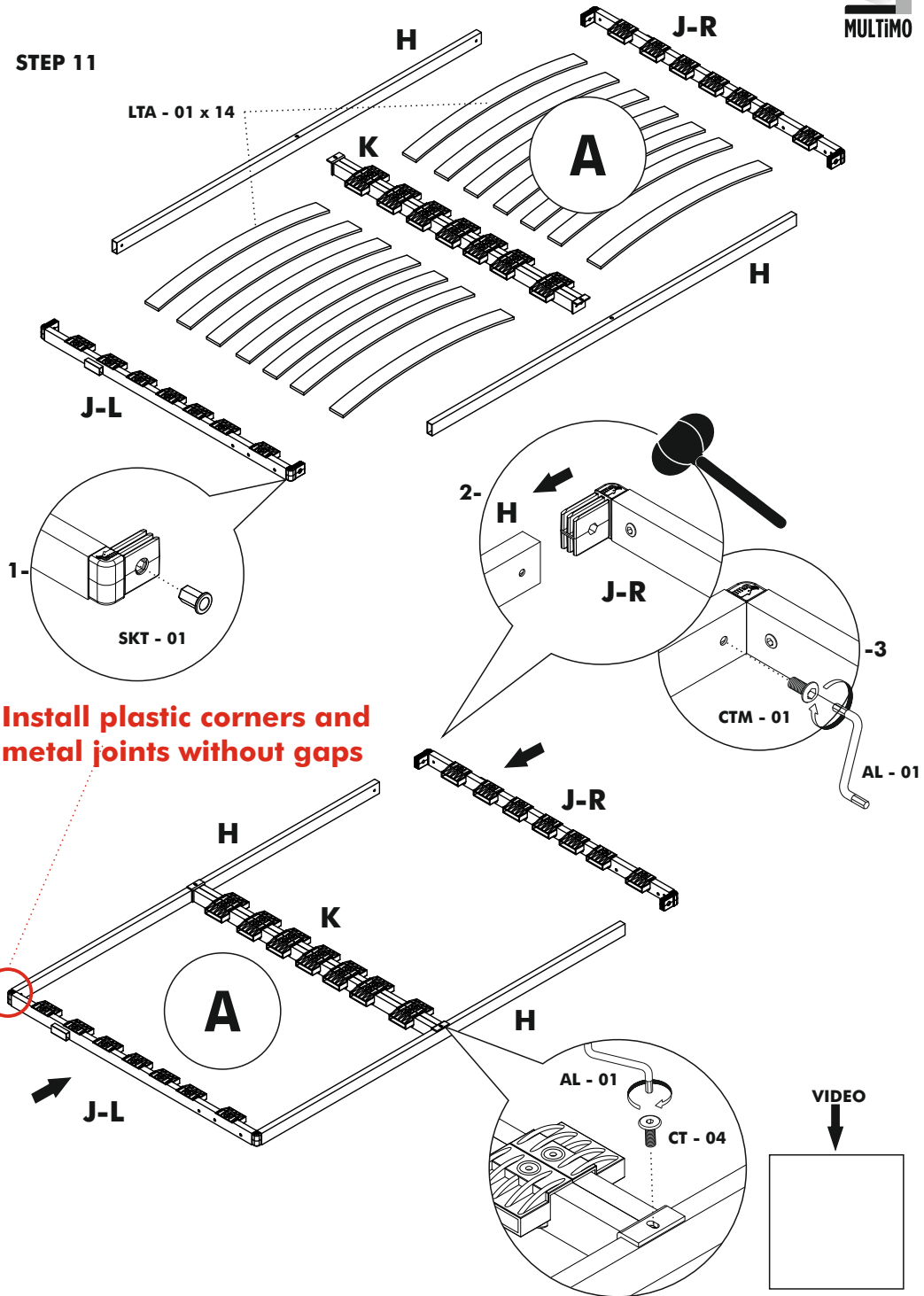
VIDEO



link

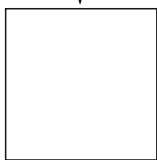
**STEP 11**

LTA - 01 x 14



**Install plastic corners and metal joints without gaps**

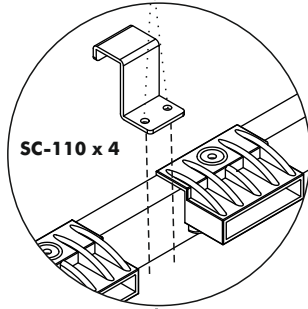
**VIDEO**



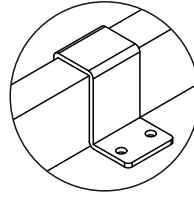
link

**STEP 13**

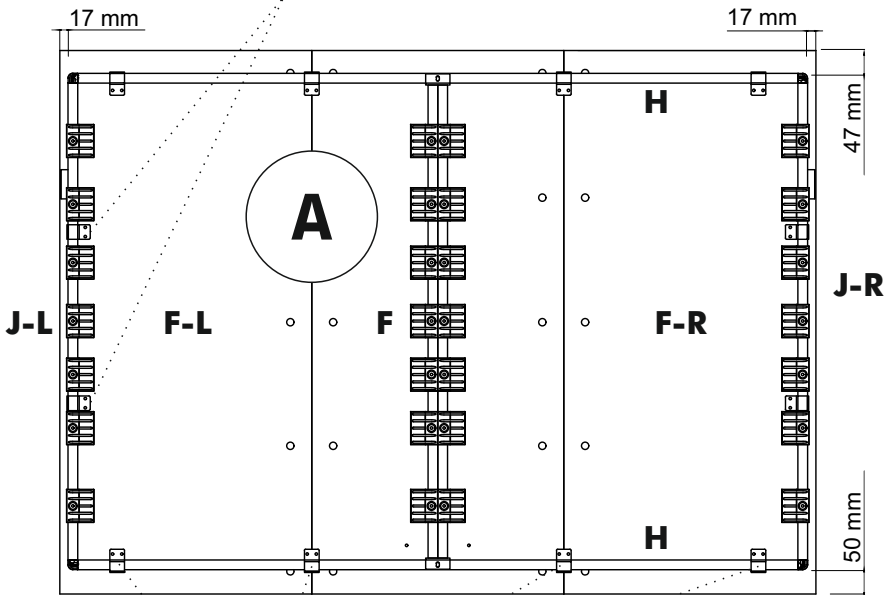
VTB - 02 x 8



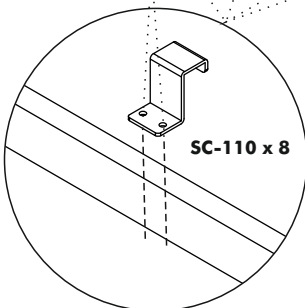
**Make sure " the bracket fits into the profile completely, before screwing "**



**Assemble the brackets over the places shown over J-R, J-L profiles**

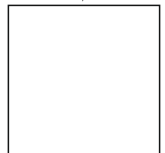


VTB - 02 x 16



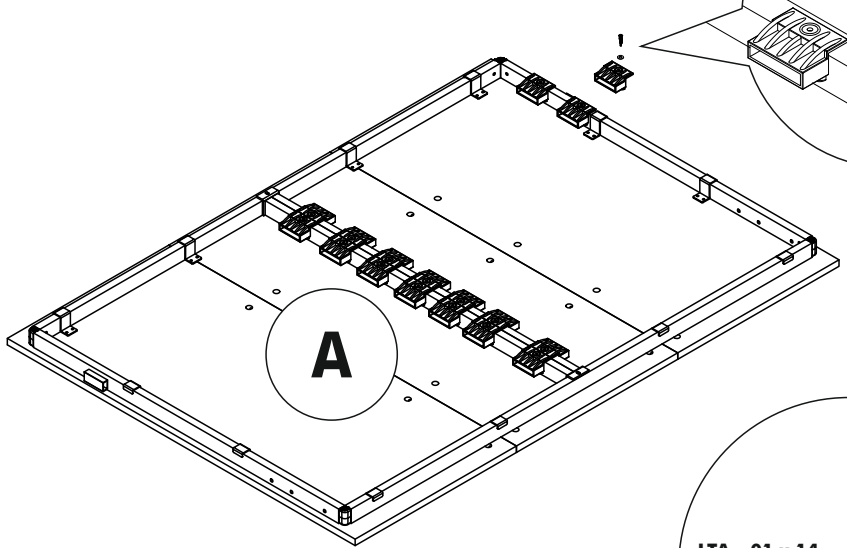
**Assemble the brackets over the places shown over H profiles**

**VIDEO**

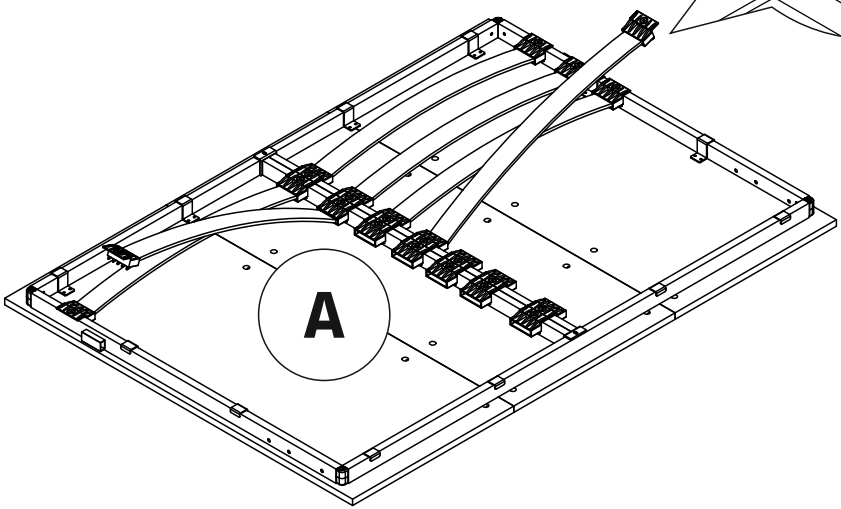


**STEP 14**

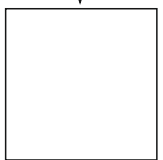
**Unscrew the Screws**



**STEP 15**



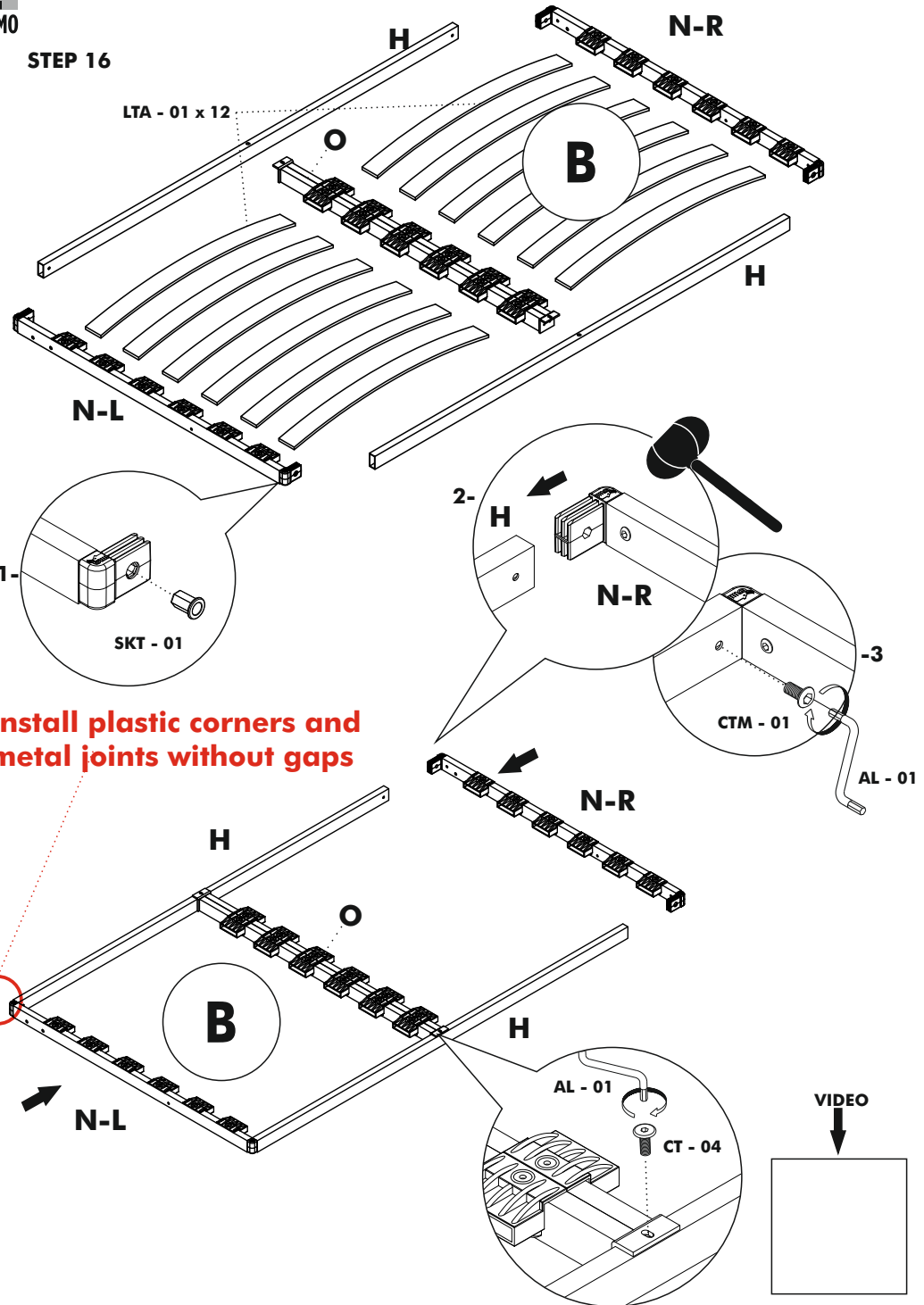
**VIDEO**



link

STEP 16

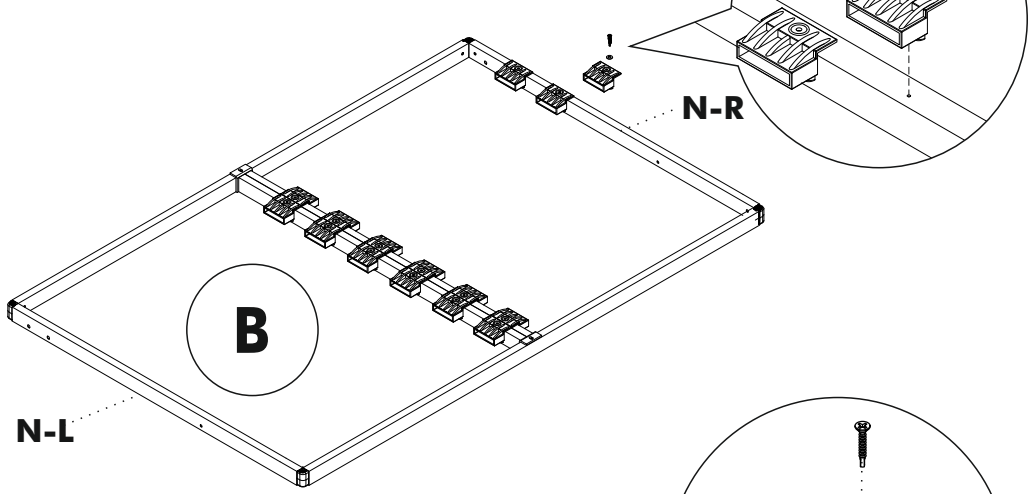
LTA - 01 x 12



**Install plastic corners and metal joints without gaps**

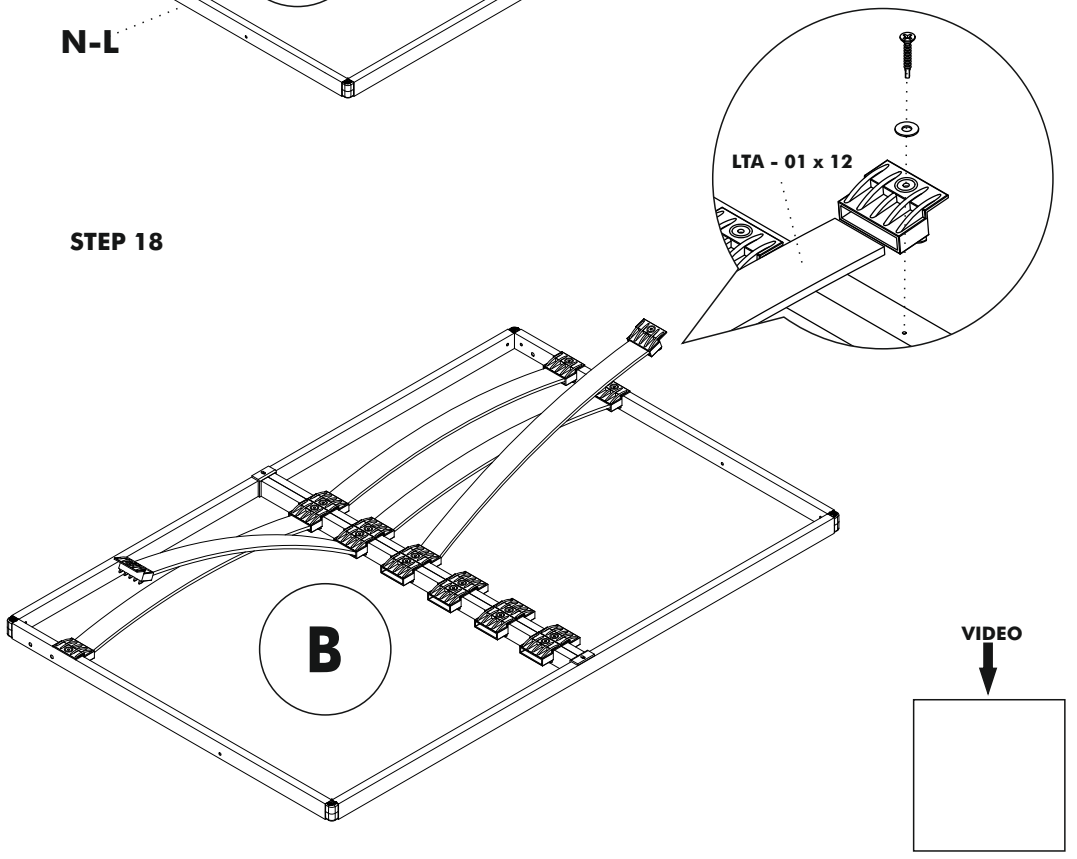
**STEP 17**

**Unscrew the Screws**

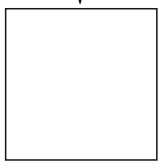


**N-L**

**STEP 18**

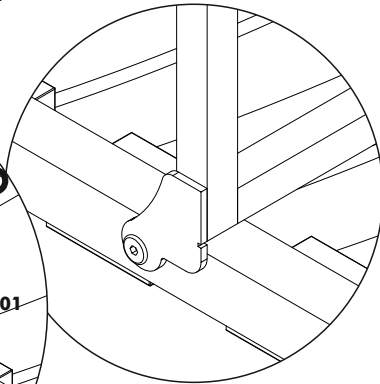
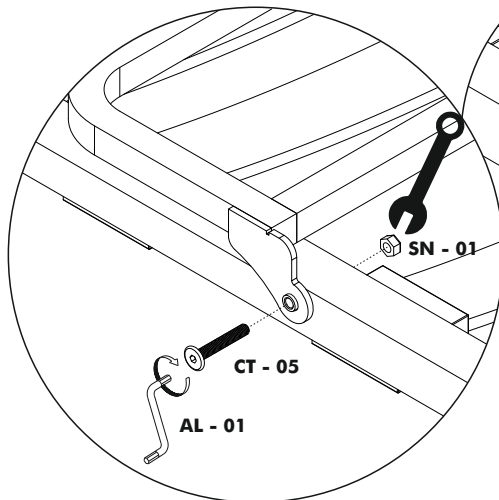
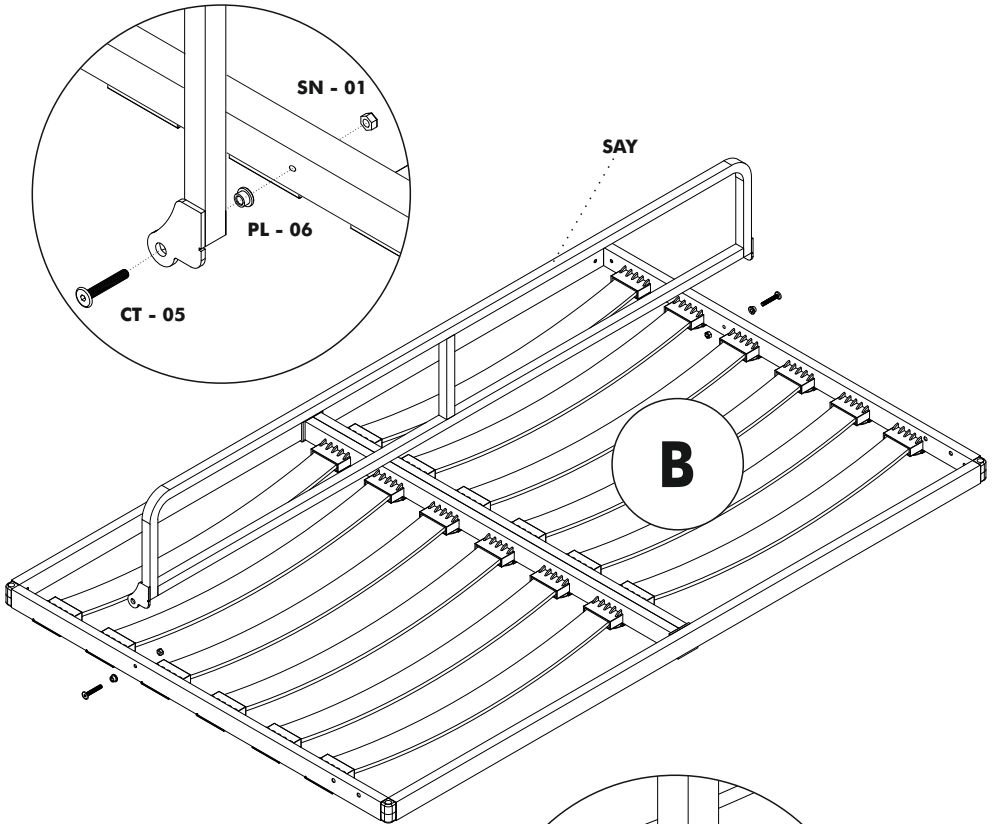


**VIDEO**

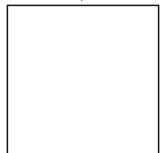


link

STEP 19



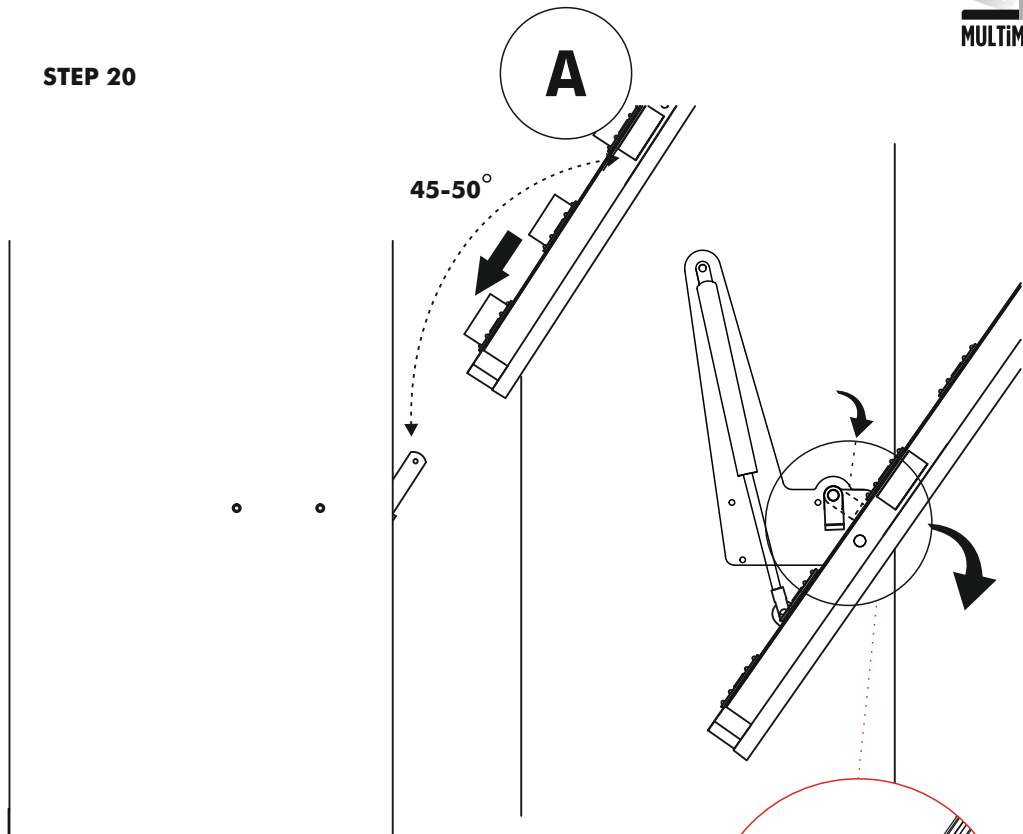
VIDEO



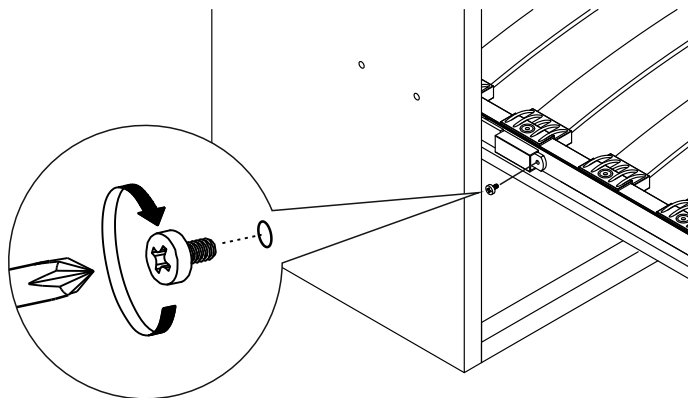
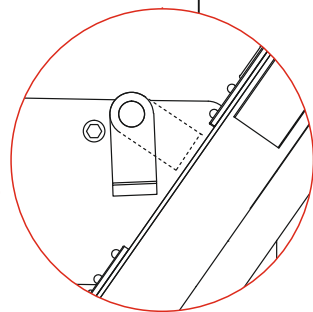
link



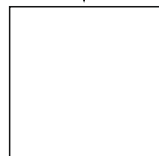
**STEP 20**



**LET THE STOPPER LOCK MOVE DOWN !!!**

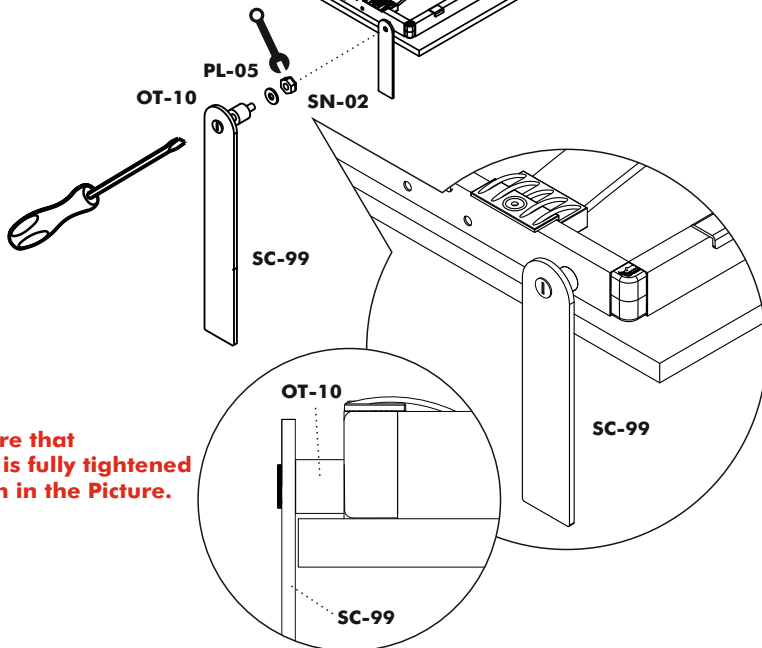
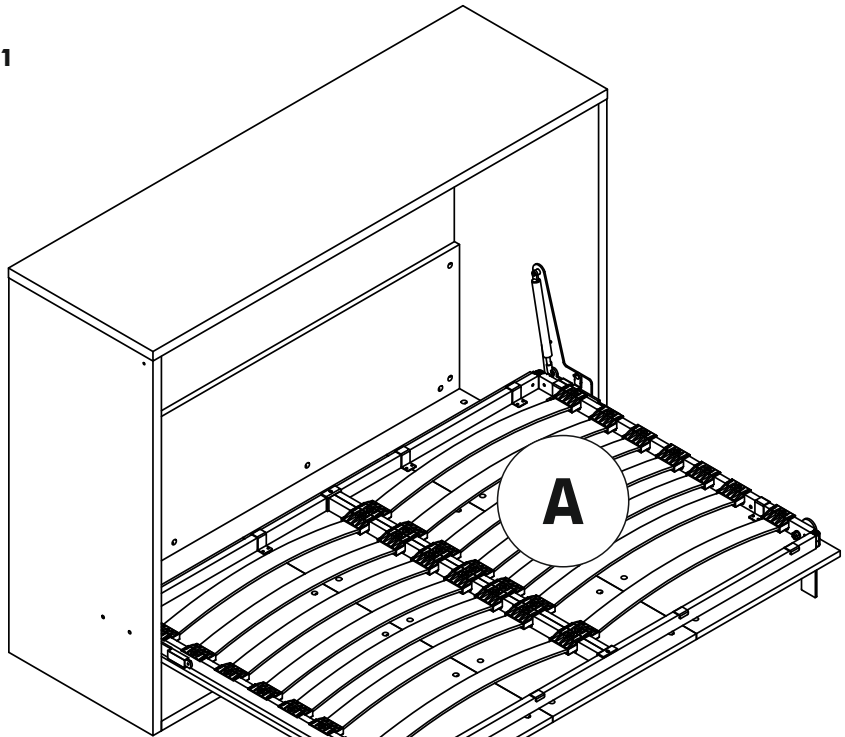


**VIDEO**



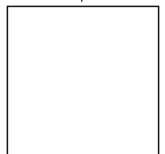
link

STEP 21



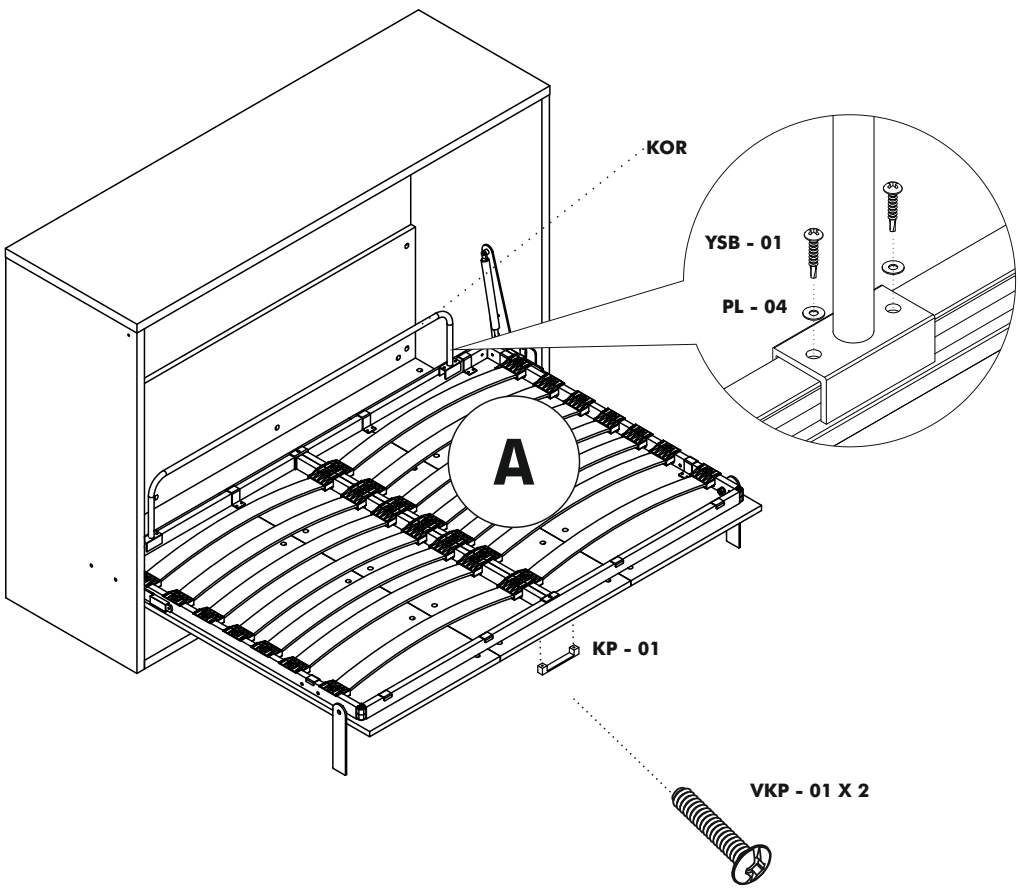
**Make sure that  
"OT-10" is fully tightened  
as shown in the Picture.**

VIDEO

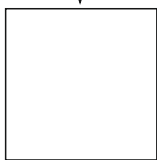


link

**STEP 22**

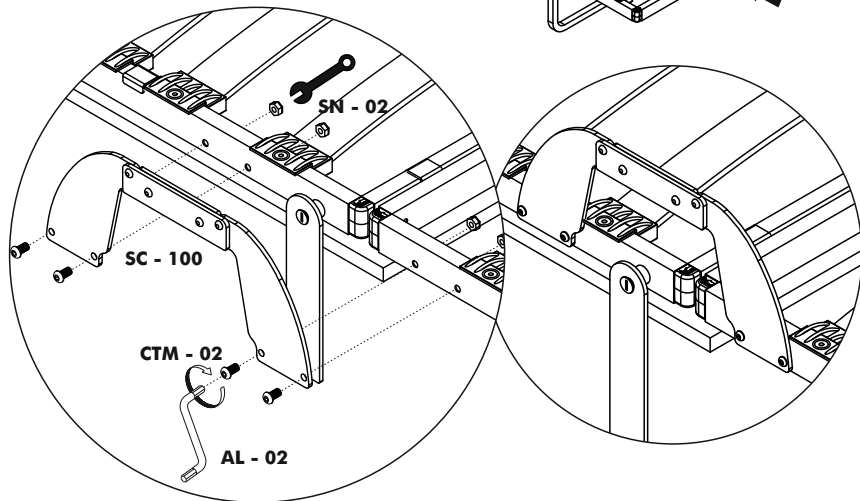
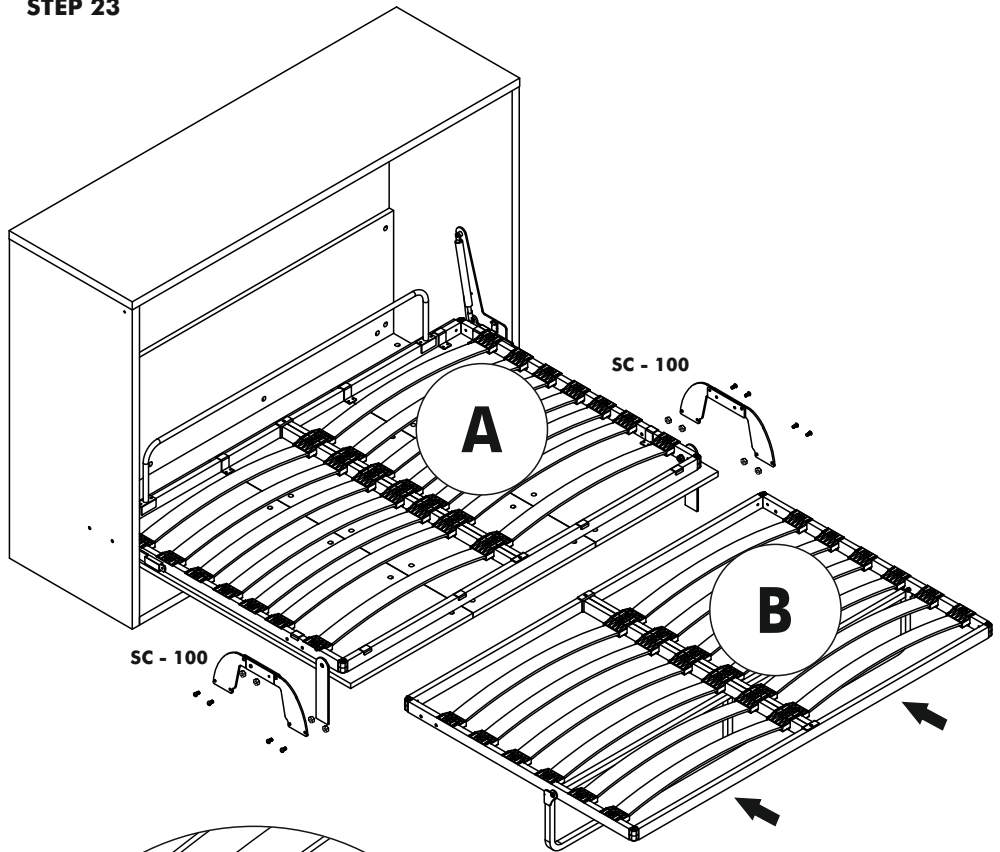


**VIDEO**

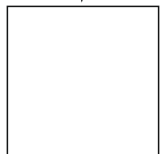


link

STEP 23

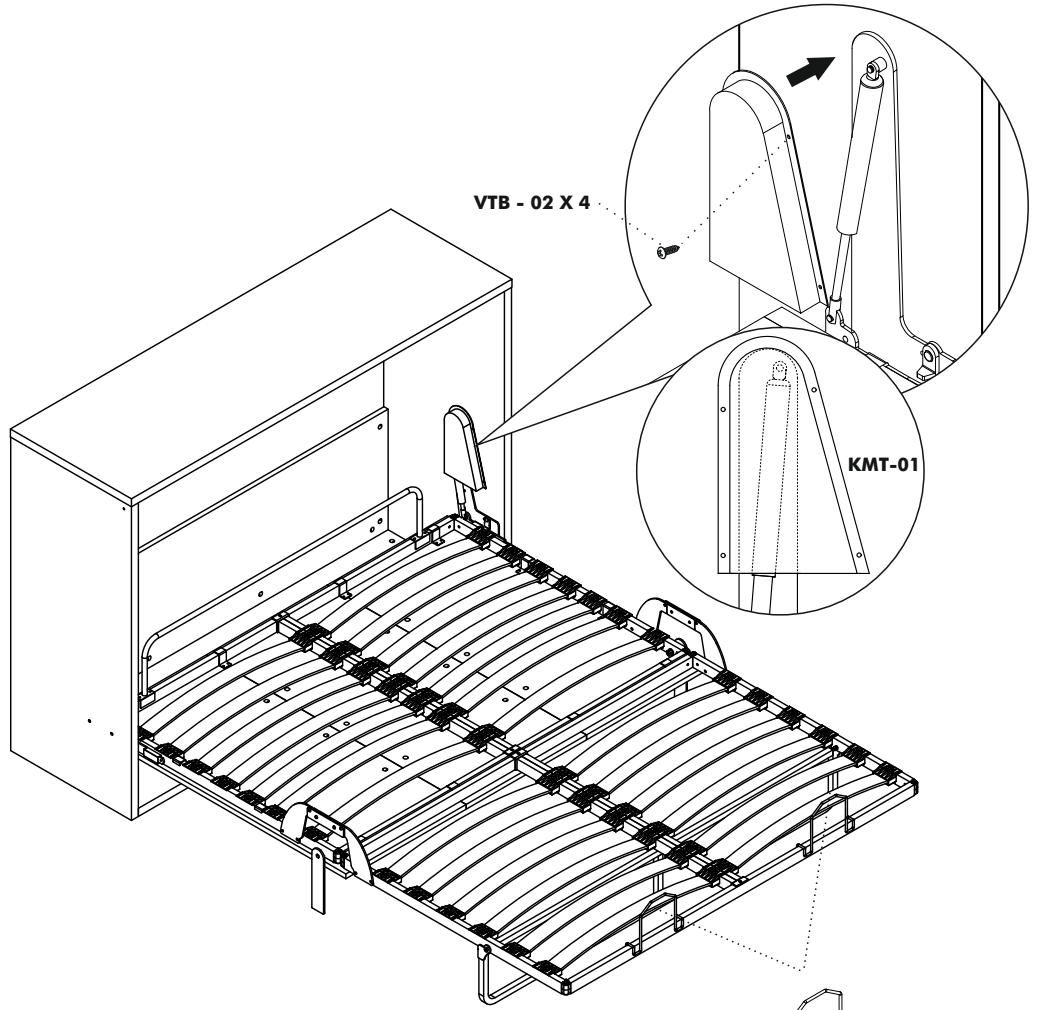


VIDEO

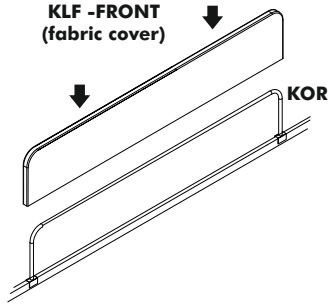


link

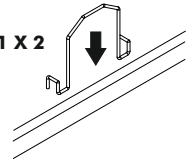
**STEP 24**



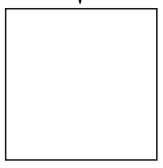
**KLF - FRONT**  
(fabric cover)



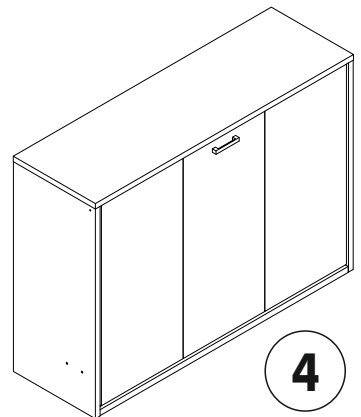
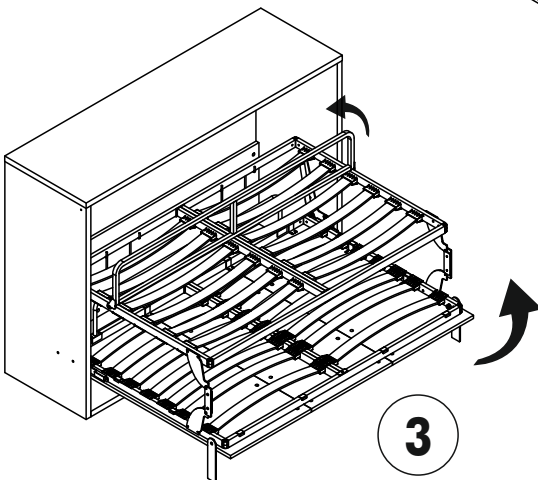
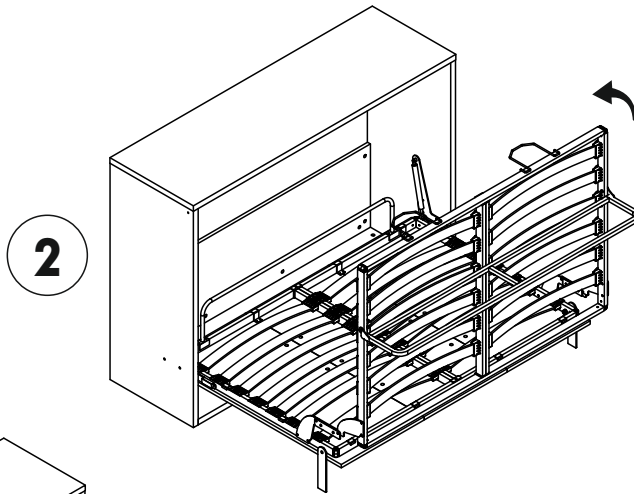
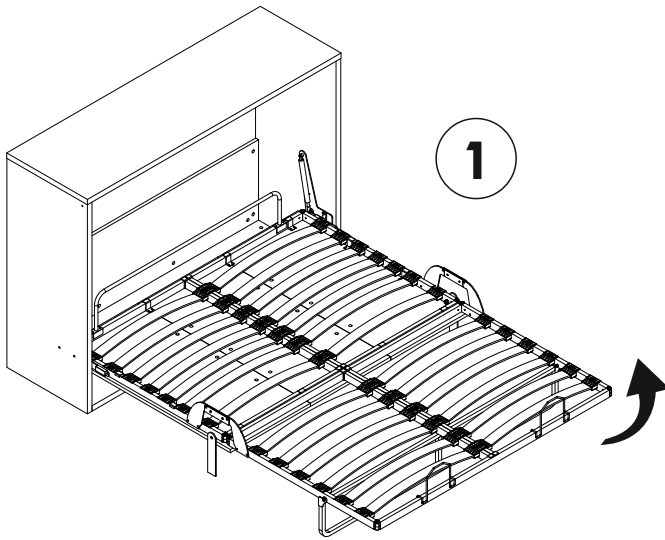
**TTC 01 X 2**



**VIDEO**



link



## ATTENTION / HOW TO / READ ME / OWNER'S GUIDE

1. When mounting on a regular drywall, furniture must be fastened to wood or metal studs. Solid walls made of brick, concrete or similar strong material are also acceptable. Do not mount furniture to paper-mache or sheetrock (plasterboard) like material without properly fixing to stud.
2. For safety and product longevity you must periodically inspect the mounting and mechanical connections for integrity and tightness. Confirm hardware remains properly affixed and connections snug.
3. Wall Bed mattress thickness may not exceed 8 inches (200mm). Take care to remove pillows and excess blankets before closing. Doing so keeps mechanism free of obstruction and unnecessary stress.
4. Do not lean or rest heavy objects on side or top of furniture. This may cause balance issues and compromise the integrity of your mounting connections.
5. Please use the furniture's beds, desks and shelving as intended. Not designed to be sat, stood, leaned, jumped (etc) on. Improper use may cause personal injury and damage to property.
6. With seasonal humidity change you must inspect interior and exterior of furniture.
7. Single bed models are suitable for the weight of one person. Sleeping by more than one person will cause damage of the product.
8. Before any un-mounting or disassembly please contact Multimo for technical support and instruction. Failure to properly detach risks injury to person and damage to property.
9. For Bunk Beds:
  - a. Always use provided ladder when accessing top bunk.
  - b. Be slow, careful and aware of surroundings when opening top bunk.
  - c. Do not horseplay. Beds are to be slept on only.
  - d. Some have legs that fully extend when open- be aware of where the leg is and will be.



**MULTiMO**

[www.multimo.com](http://www.multimo.com)