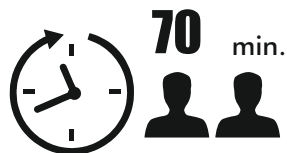
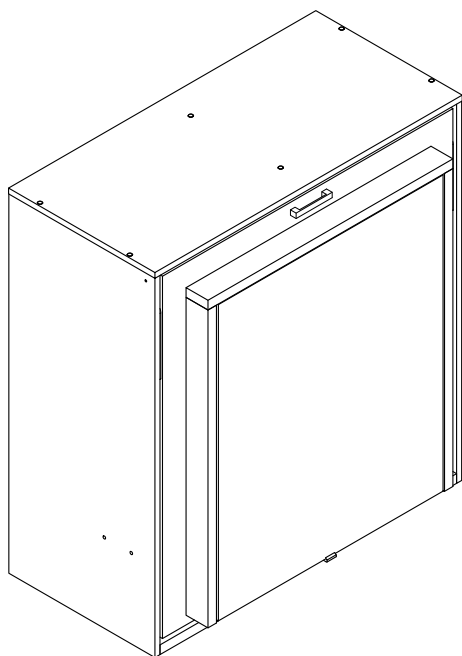


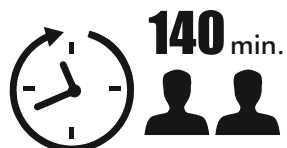


# MULTIMO

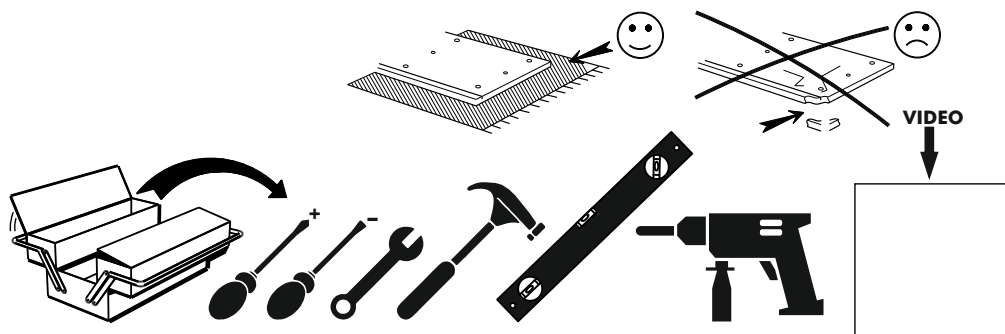
## 209-CAPSULE FOLDING SINGLE BED 402-D SECRET TABLE MODULE



Technical Service



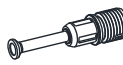



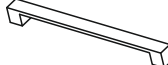


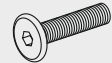
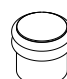

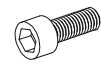
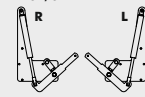

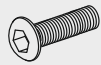
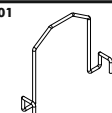

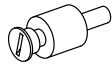


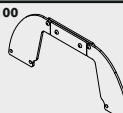



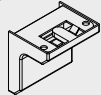
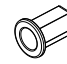
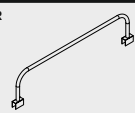


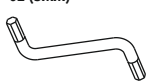
End User



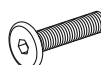


link

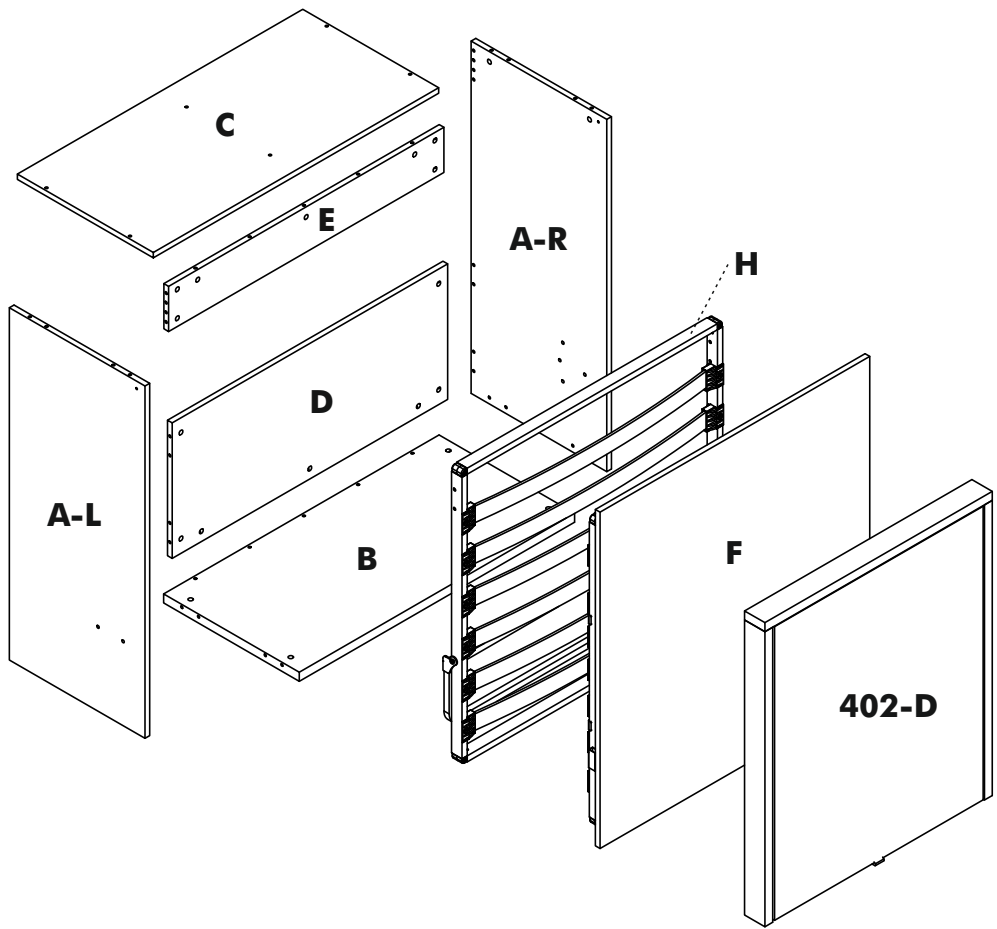
Track Title	Piece	(inch)			(mm)			
		Thickness	Length	Width	Piece	Thick	Height	Most
<b>A-R / A-L</b>	2	0,71	46,06	20,47	2	18	1170	520
<b>B</b>	1	1,18	41,57	20,47	1	30	1056	520
<b>C</b>	1	0,71	43,07	20,51	1	18	1094	521
<b>D</b>	1	0,71	41,57	17,72	1	18	1056	450
<b>E</b>	1	0,71	41,57	5,91	1	18	1056	150
<b>F</b>	1	0,71	43,98	40,71	1	18	1117	1034
<b>402-D</b>	2	3,07	39,76	34,33	1	78	1010	872

### Accessories List

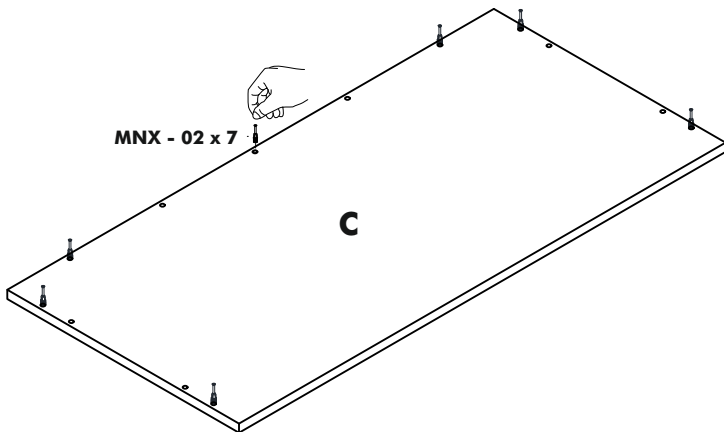
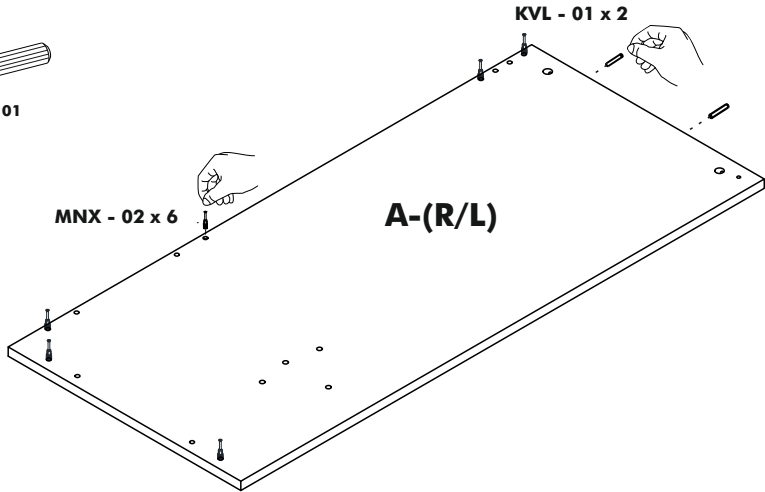
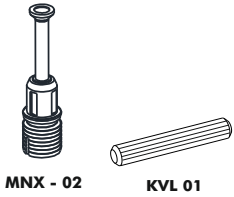
<b>MXN 02</b>  22 / piece	<b>MNG - 01</b>  22 / piece YSB - 01 ( 3,9x16 ) mm	<b>KVL 01</b>  20 / piece CT - 02 ( 6x30 ) mm	<b>TAP - 01</b>  22 / piece	<b>KP - 01 ( 128 ) mm</b>  1 / piece CTHY - 01 ( 4x20 ) mm
<b>TAP - 03</b>  6 / piece IM - 02 ( 6x20 ) mm	<b>YSB - 01 ( 3,9x16 ) mm</b>  4 / piece MKZ - 01/02 D	<b>CT - 02 ( 6x30 ) mm</b>  2 / piece PL - 04 ( 5x12x0,7 ) mm	<b>OT-054</b>  2 / piece CTM - 02 ( 8x35 ) mm	<b>CTHY - 01 ( 4x20 ) mm</b>  2 / piece TTC 01
<b>IM - 02 ( 6x20 ) mm</b>  4 / piece SC-99	<b>MKZ - 01/02 D</b>  1 / piece 300N	<b>PL - 04 ( 5x12x0,7 ) mm</b>  4 / piece SN - 02 ( M8 )	<b>CTM - 02 ( 8x35 ) mm</b>  8 / piece PL - 05 ( 8x16x2 ) mm	<b>TTC 01</b>  1 / piece SC-100
<b>SC-99</b>  2 / piece VD - 03 ( 3,5x18 ) mm	<b>OT 10</b>  2 / piece DD - 01 ( R10 )	<b>SN - 02 ( M8 )</b>  10 / piece VD - 01 ( 6x70 ) mm	<b>PL - 05 ( 8x16x2 ) mm</b>  2 / piece DSE - 02	<b>SC-100</b>  2 / piece SKT - 01
<b>VD - 03 ( 3,5x18 ) mm</b>  4 / piece KOR	<b>DD - 01 ( R10 )</b>  2 / piece KLF - F ( fabric cover )	<b>VD - 01 ( 6x70 ) mm</b>  2 / piece AL - 01 ( 4MM )	<b>DSE - 02</b>  2 / piece AL - 02 ( 5MM )	<b>SKT - 01</b>  4 / piece
<b>KOR</b>  1 / piece	<b>KLF - F ( fabric cover )</b>  1 / piece	<b>AL - 01 ( 4MM )</b>  1 / piece	<b>AL - 02 ( 5MM )</b>  1 / piece	

### Accessories List 402-D

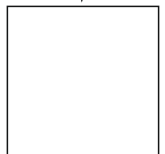
<b>CT - 03 ( 6x50 ) mm</b>  4 / piece	<b>SN - 01 ( M6 )</b>  4 / piece	<b>PL - 03 ( 6x12x1 ) mm</b>  4 / piece
--	---	--



### STEP 1

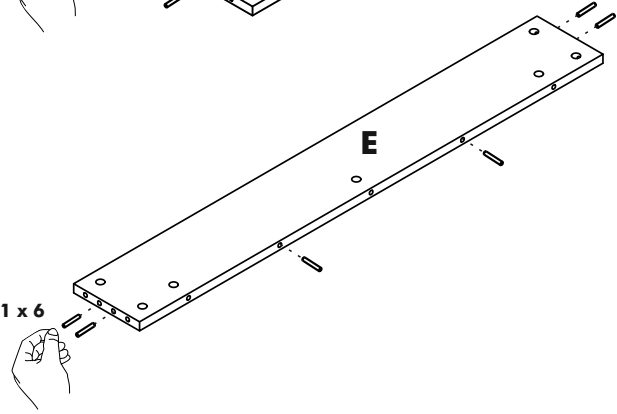
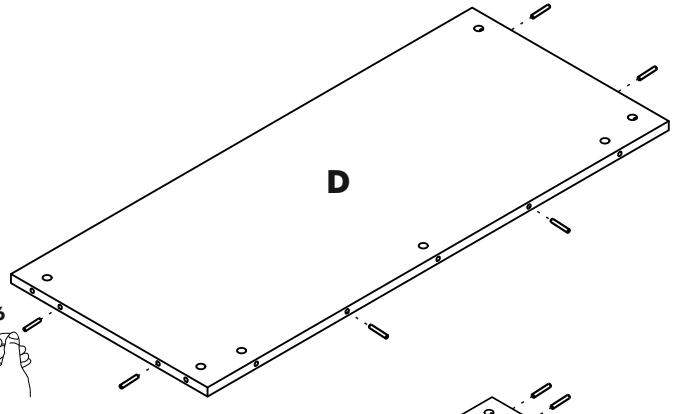
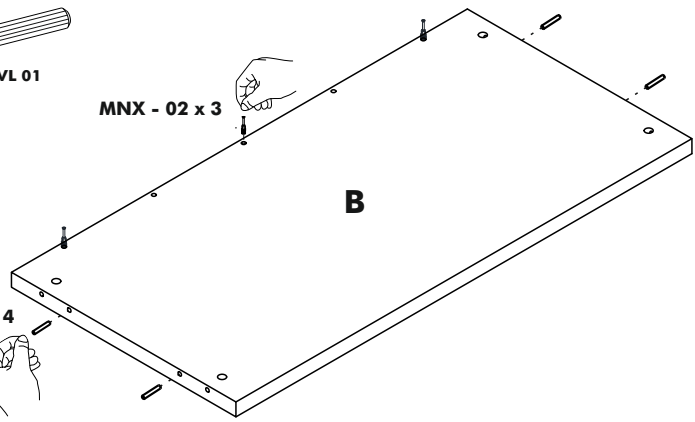
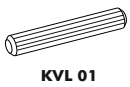


VIDEO

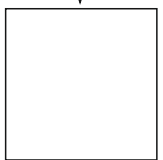


link

## STEP 2



VIDEO

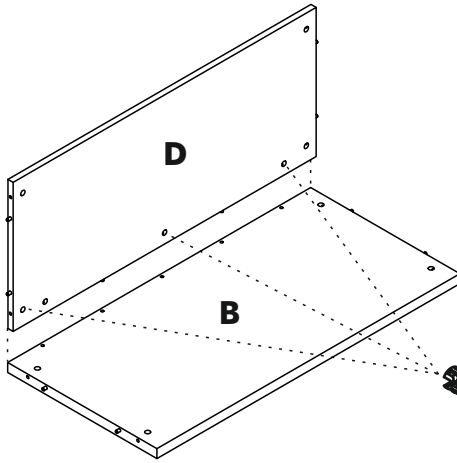


link

**STEP 3**



MNG - 01



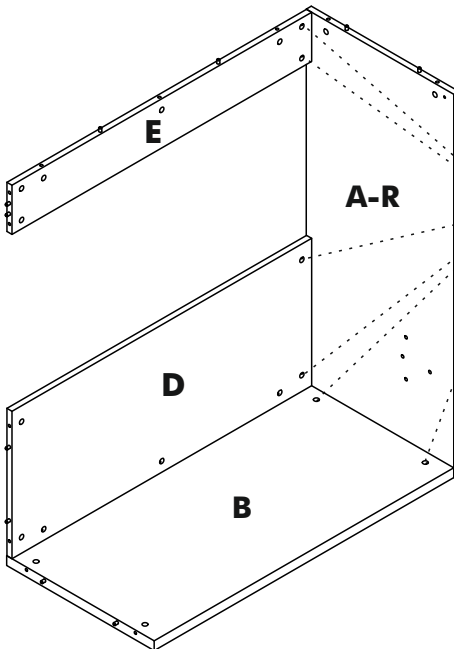
MNG - 01 x 3

210°

**STEP 4**



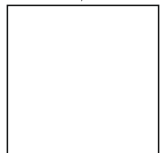
MNG - 01



MNG - 01 x 6

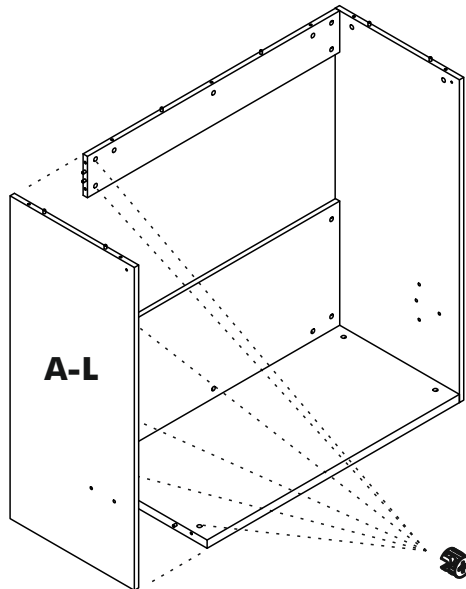
210°

VIDEO



link

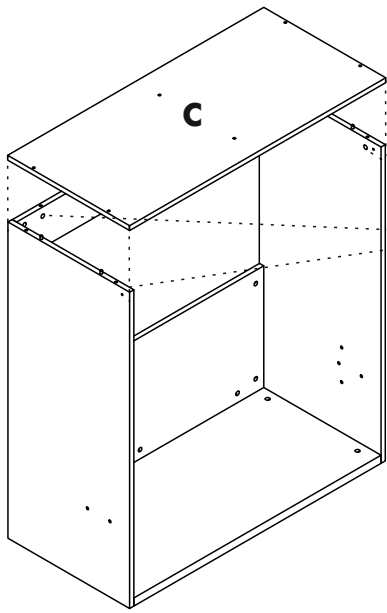
**STEP 5**



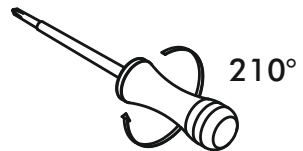
MNG - 01 x 6



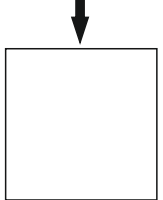
**STEP 6**



MNG - 01 x 7

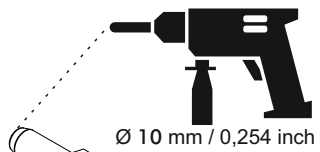


**VIDEO**



link

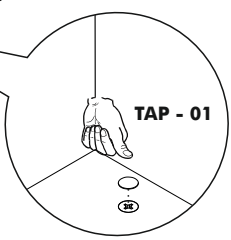
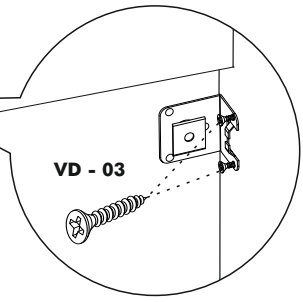
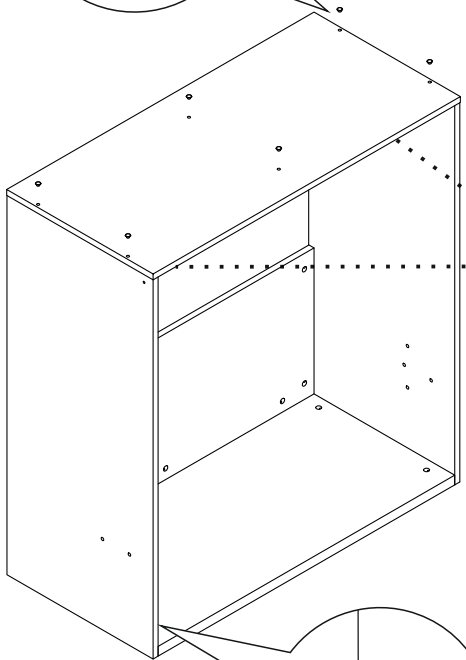
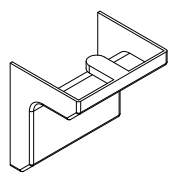
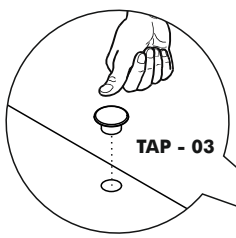
**STEP 7**



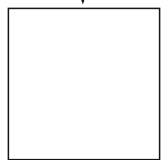
**DD - 01**

**DSE - 02**

**VD - 01**



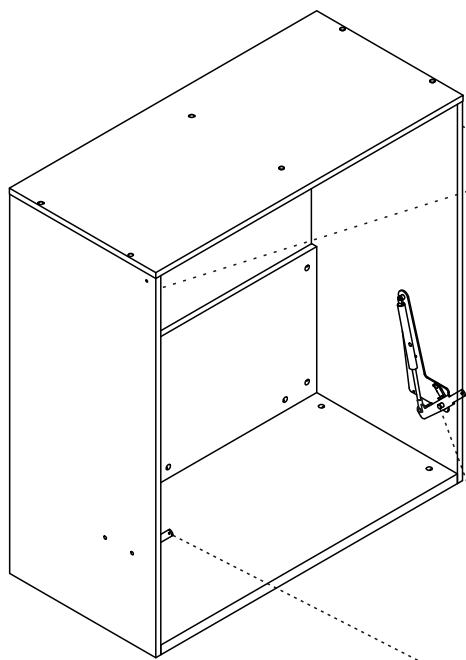
**VIDEO**



link

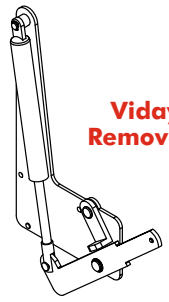


**STEP 8**

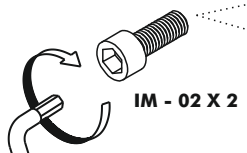
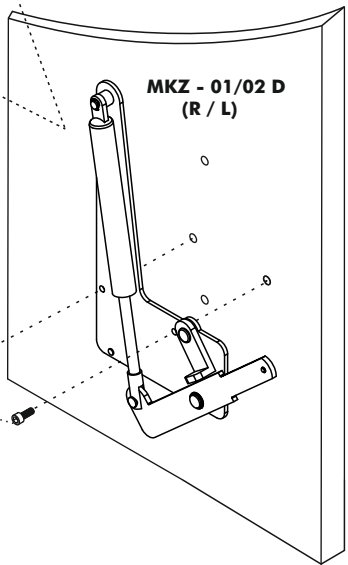


AL - 01

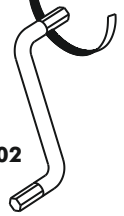
**Vidayı çıkarın  
Remove the screw**



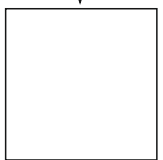
**CAUTION  
DO NOT UNLOCK BEFORE INSTALL**



AL - 02



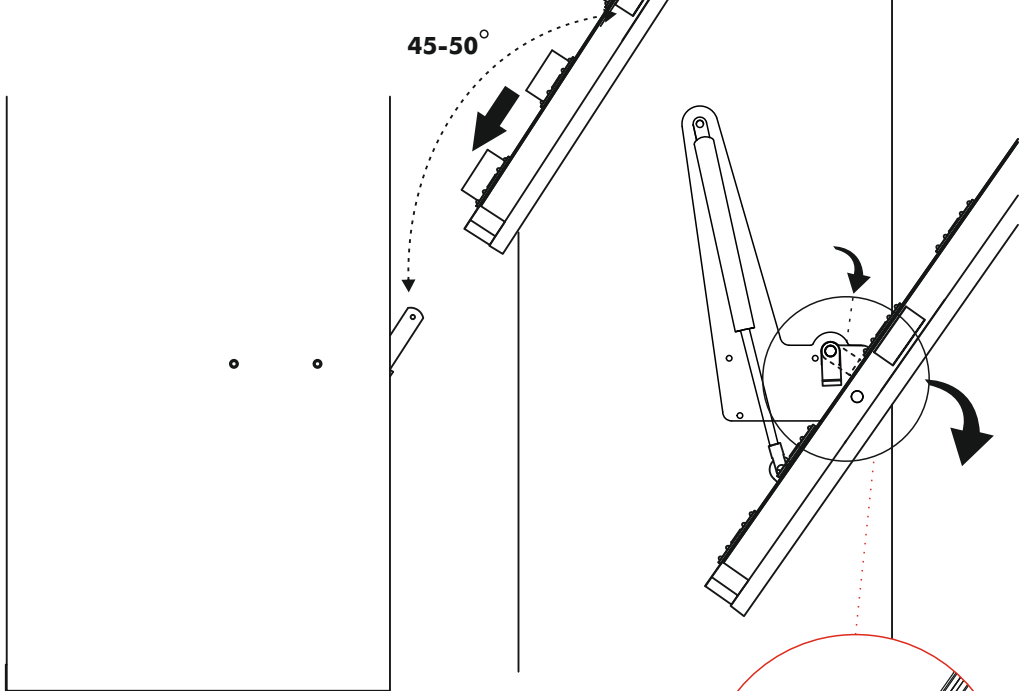
**VIDEO**



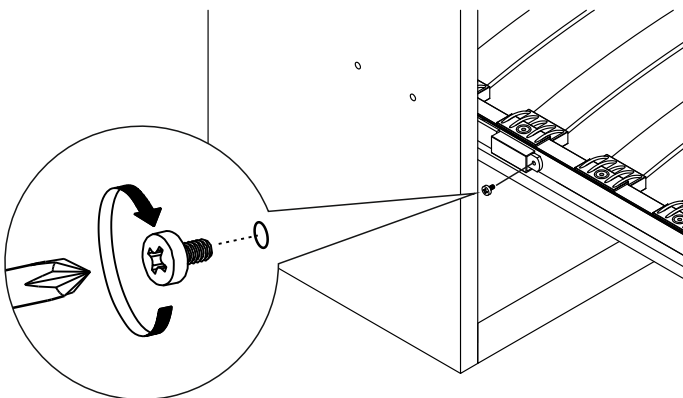
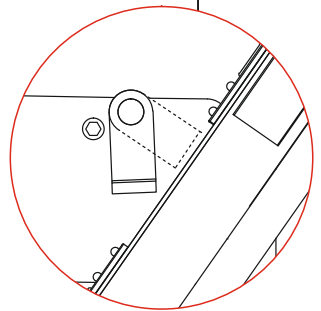
STEP 9

F

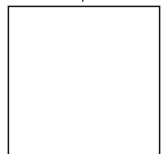
45-50°



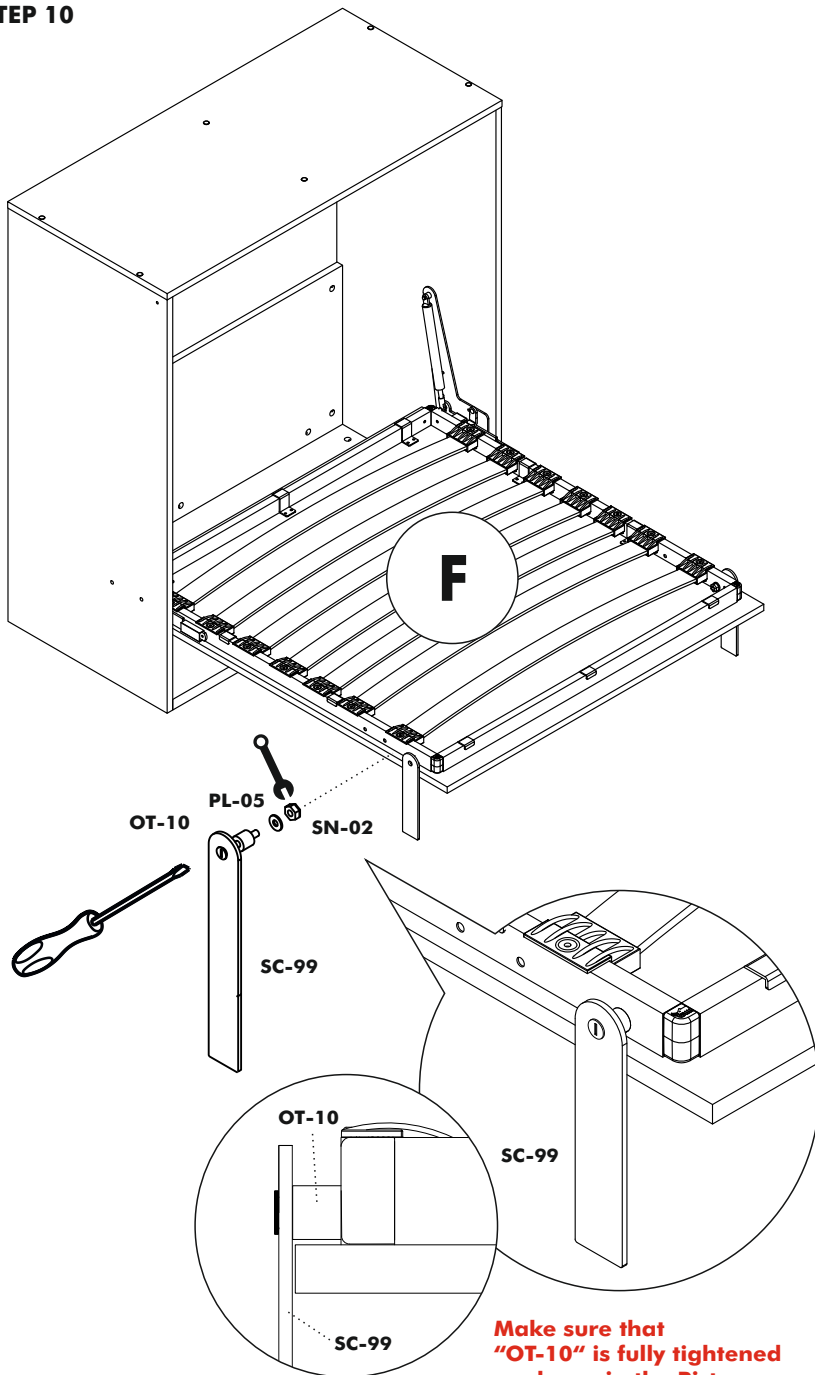
**LET THE STOPPER LOCK MOVE DOWN !!!**



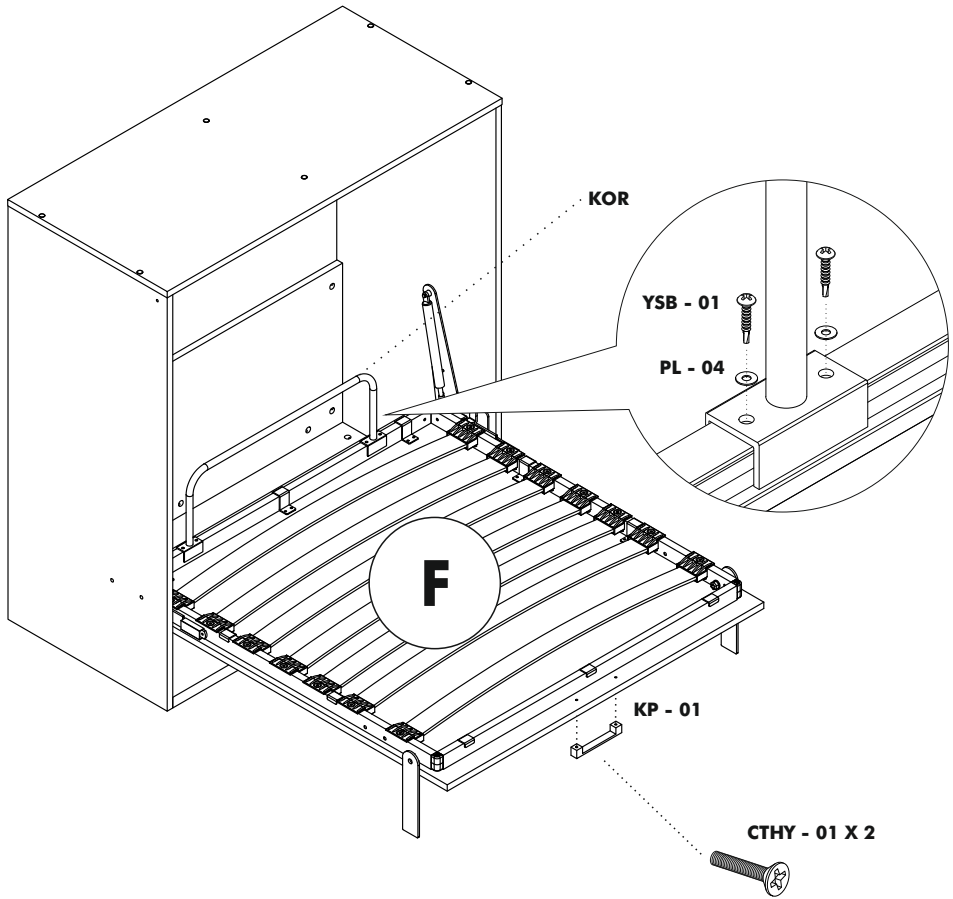
VIDEO



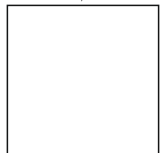
**STEP 10**



STEP 11

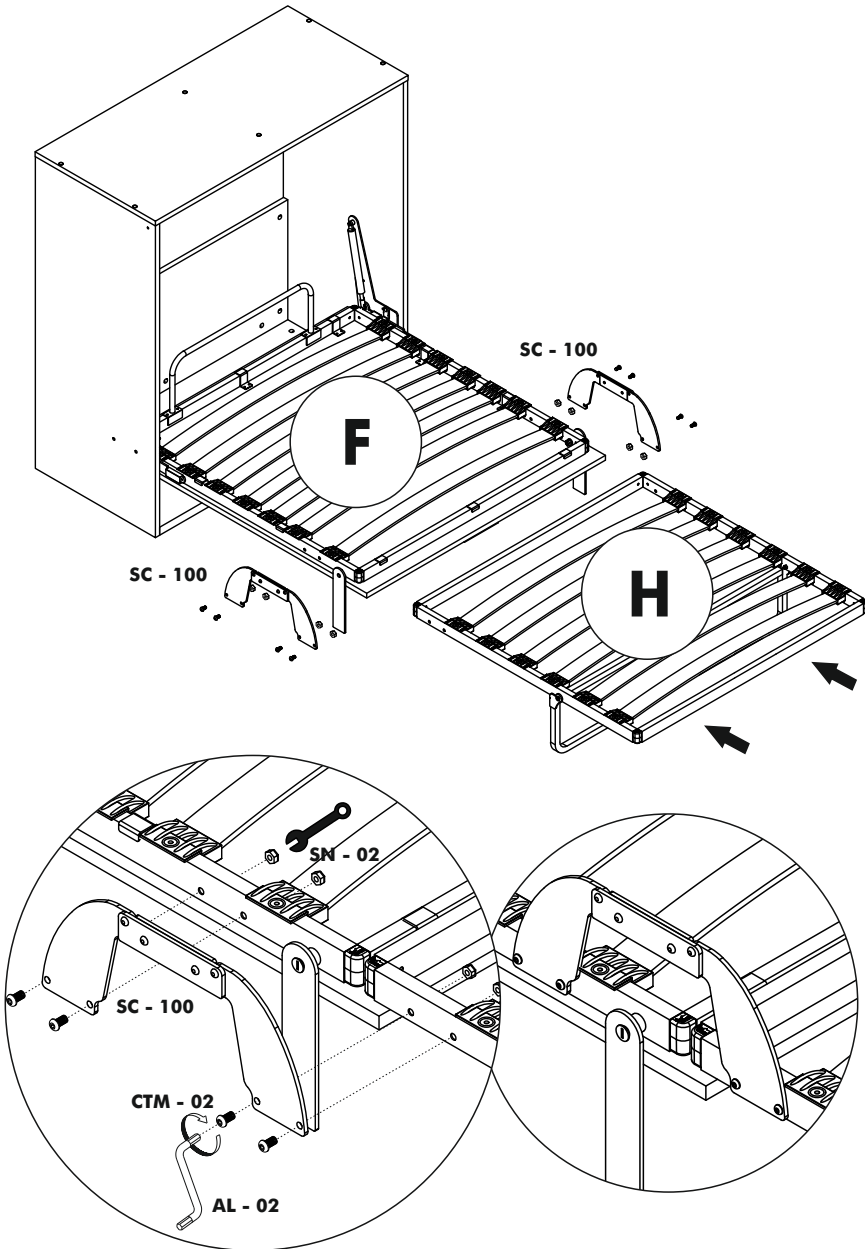


VIDEO



link

STEP 12

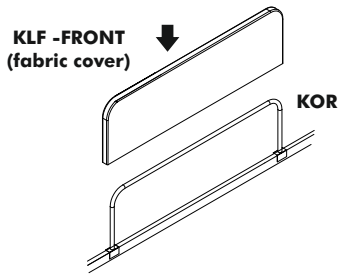
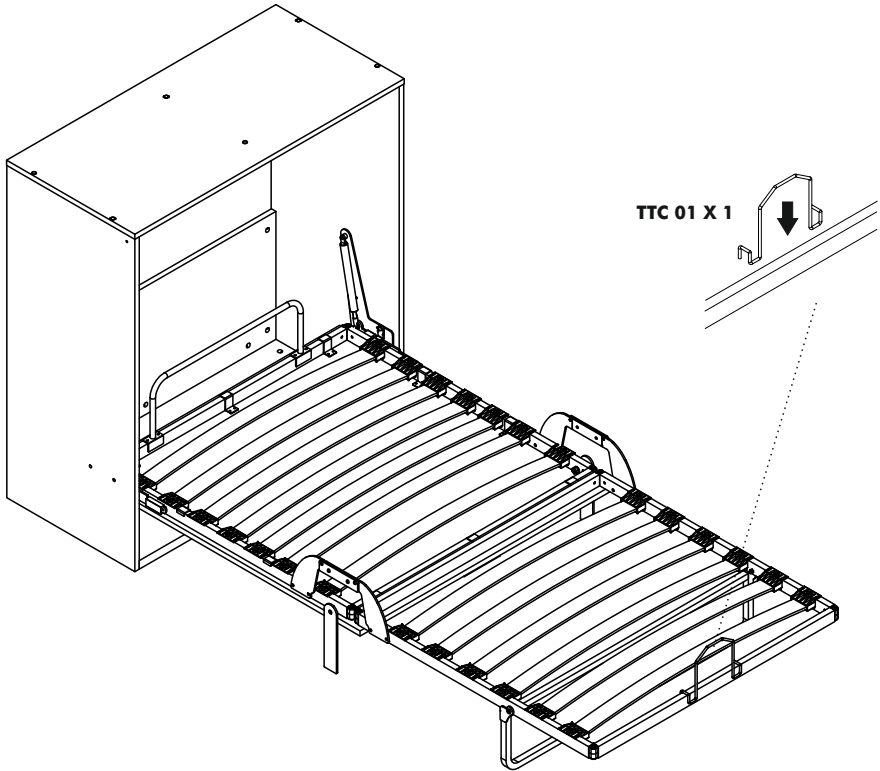


VIDEO

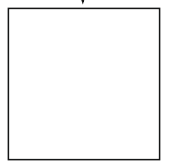


link

STEP 13

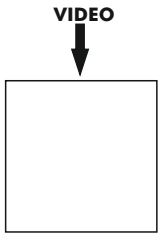
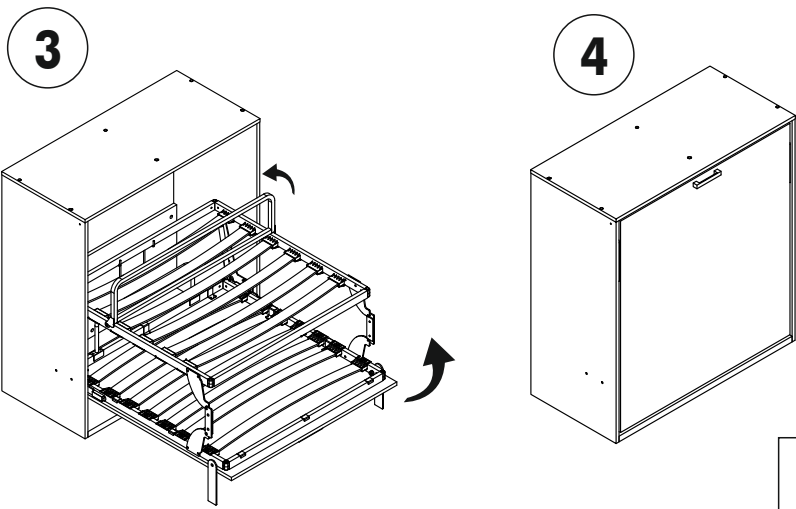
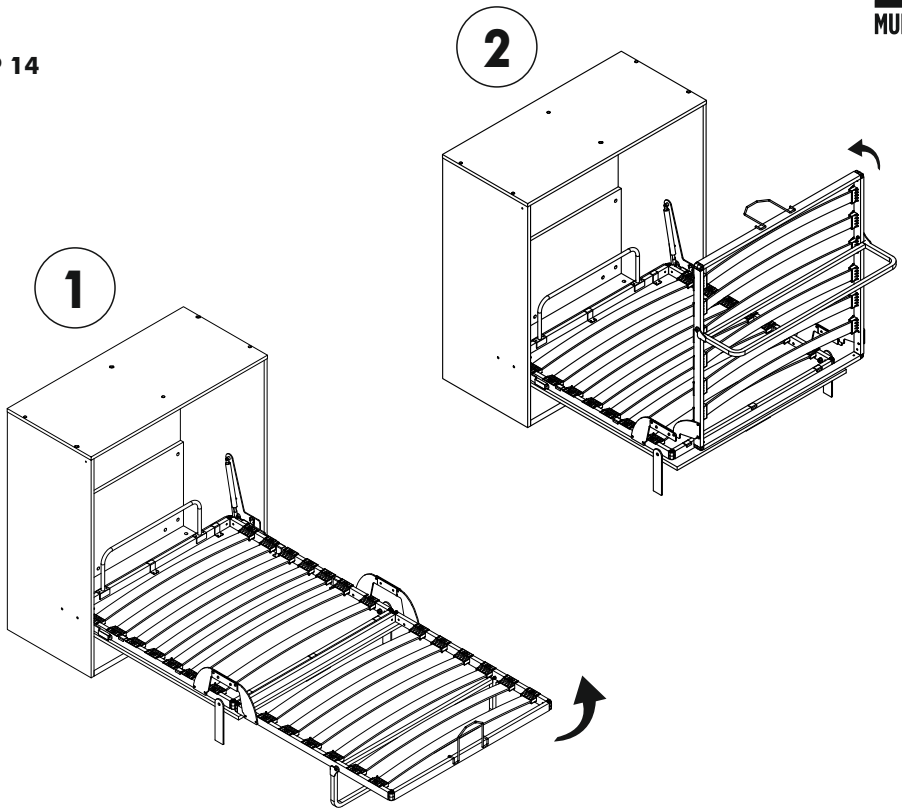


VIDEO

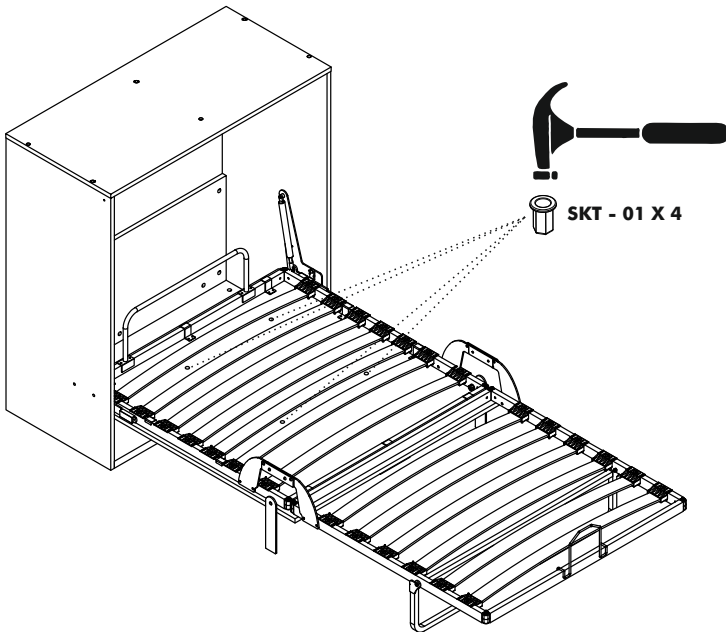
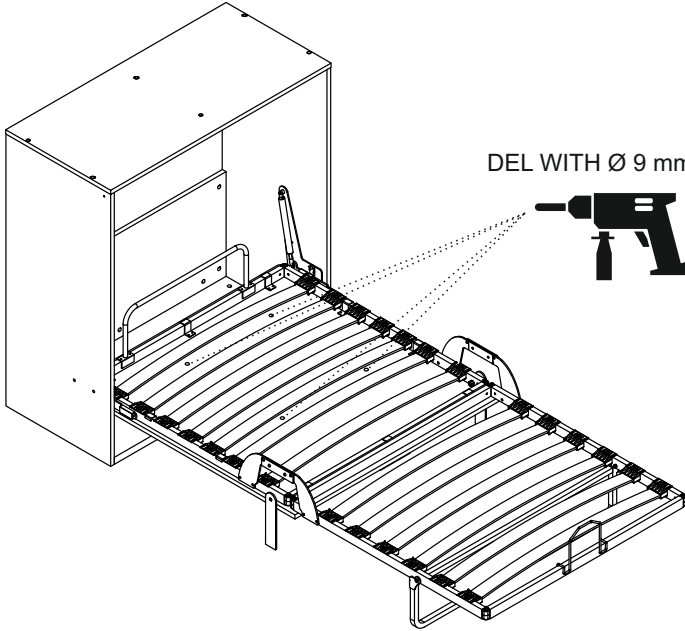


link

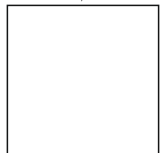
STEP 14



STEP 15



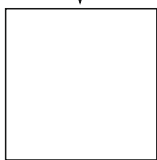
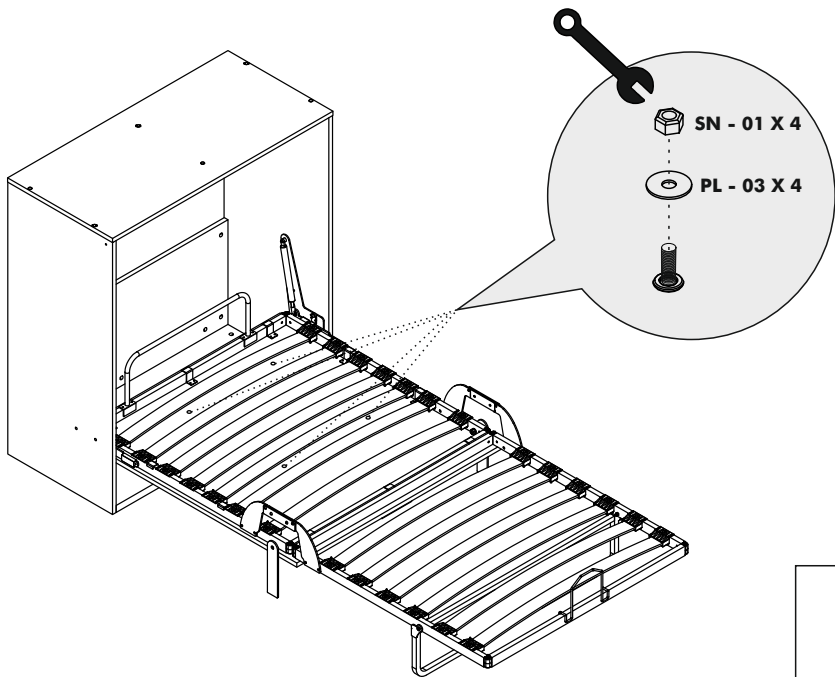
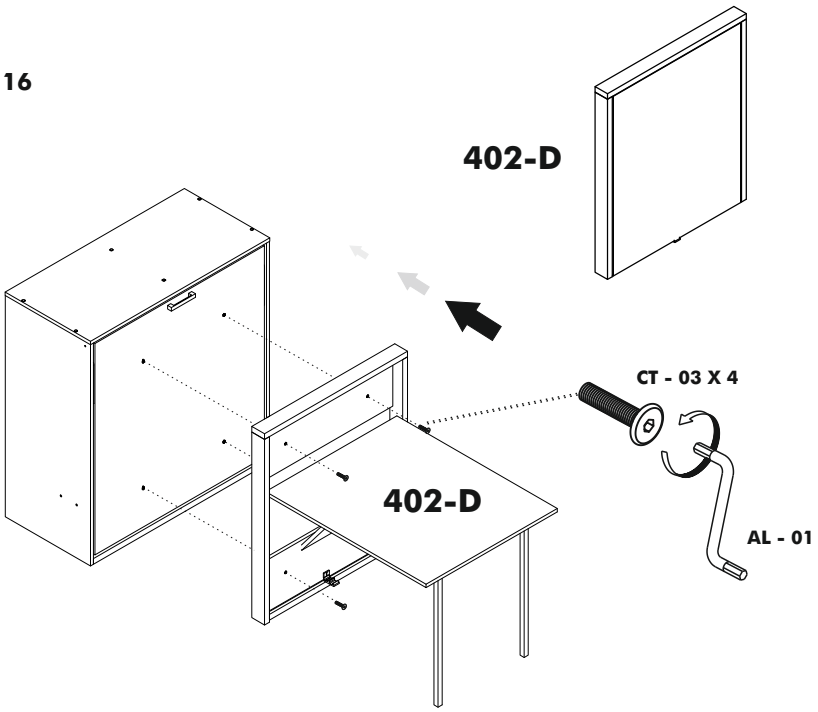
VIDEO

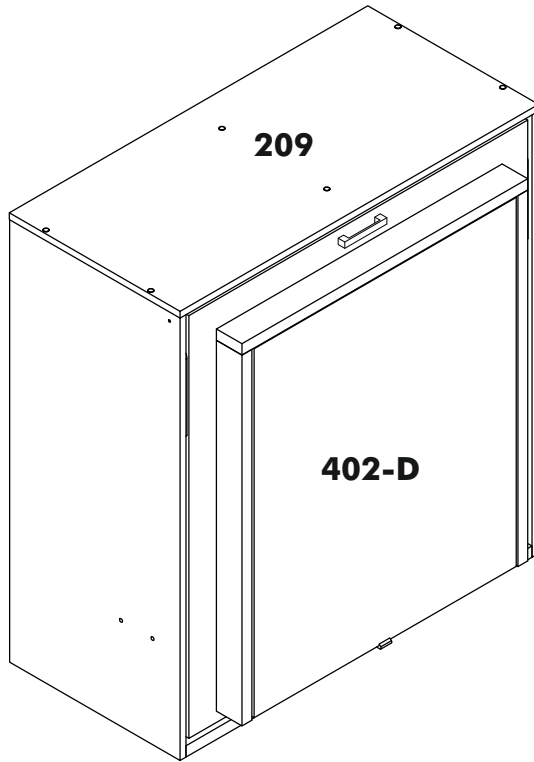


link



**STEP 16**





## ATTENTION / HOW TO / READ ME / OWNER'S GUIDE

1. When mounting on a regular drywall, furniture must be fastened to wood or metal studs. Solid walls made of brick, concrete or similar strong material are also acceptable. Do not mount furniture to paper-mache or sheetrock (plasterboard) like material without properly fixing to stud.
2. For safety and product longevity you must periodically inspect the mounting and mechanical connections for integrity and tightness. Confirm hardware remains properly affixed and connections snug.
3. Wall Bed mattress thickness may not exceed 8 inches (200mm). Take care to remove pillows and excess blankets before closing. Doing so keeps mechanism free of obstruction and unnecessary stress.
4. Do not lean or rest heavy objects on side or top of furniture. This may cause balance issues and compromise the integrity of your mounting connections.
5. Please use the furniture's beds, desks and shelving as intended. Not designed to be sat, stood, leaned, jumped (etc) on. Improper use may cause personal injury and damage to property.
6. With seasonal humidity change you must inspect interior and exterior of furniture.
7. Single bed models are suitable for the weight of one person. Sleeping by more than one person will cause damage of the product.
8. Before any un-mounting or disassembly please contact Multimo for technical support and instruction. Failure to properly detach risks injury to person and damage to property.
9. For Bunk Beds:
  - a. Always use provided ladder when accessing top bunk.
  - b. Be slow, careful and aware of surroundings when opening top bunk.
  - c. Do not horseplay. Beds are to be slept on only.
  - d. Some have legs that fully extend when open- be aware of where the leg is and will be.



**MULTiMO**

[www.multimo.com](http://www.multimo.com)