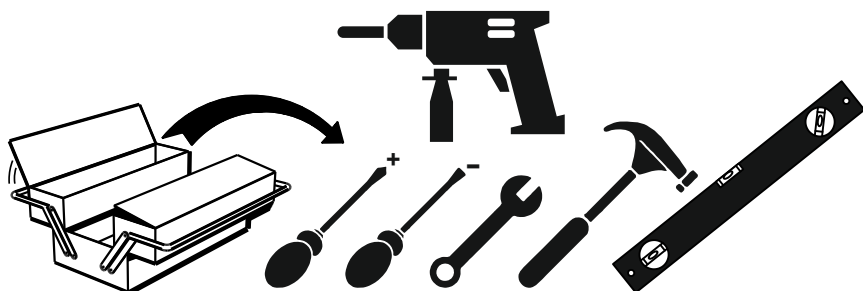
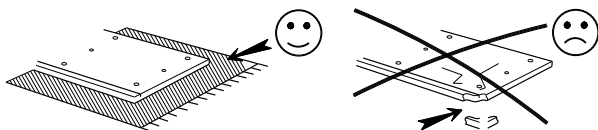
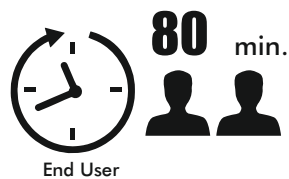
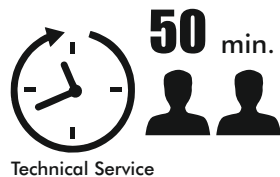
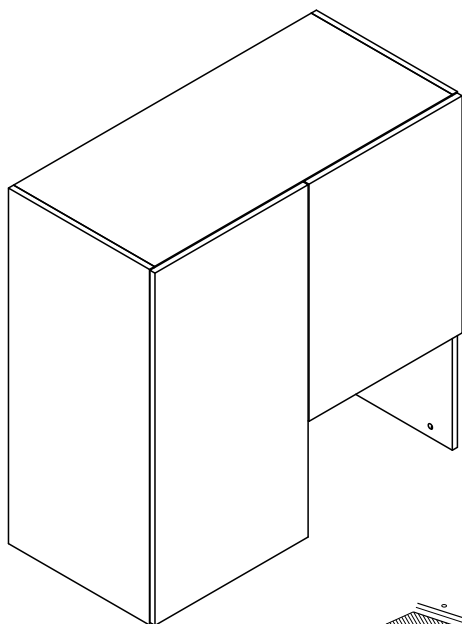


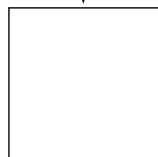


MULTIMO

209-1 B.CASE



VIDEO

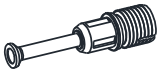

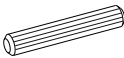


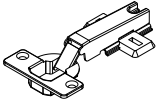
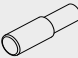
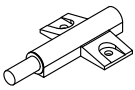




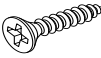


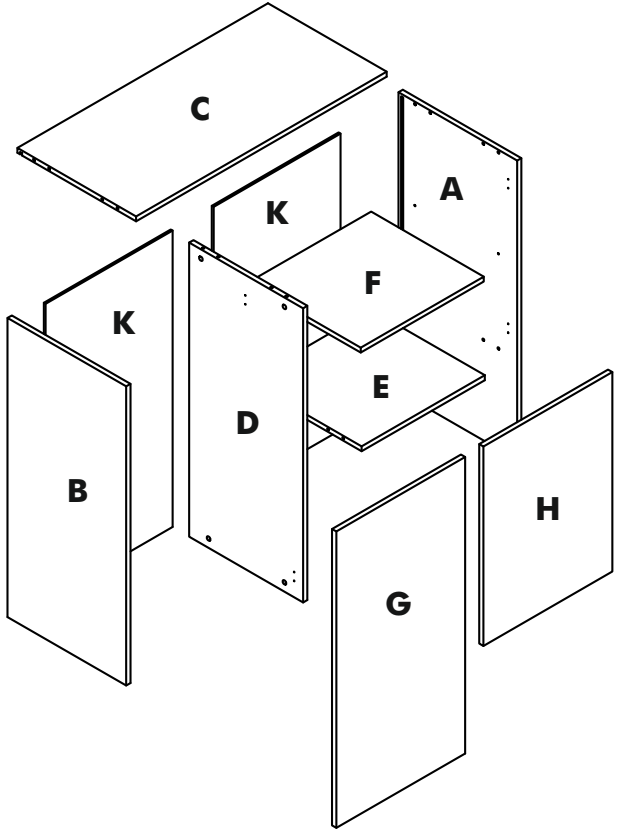
link

Assembly Instructions

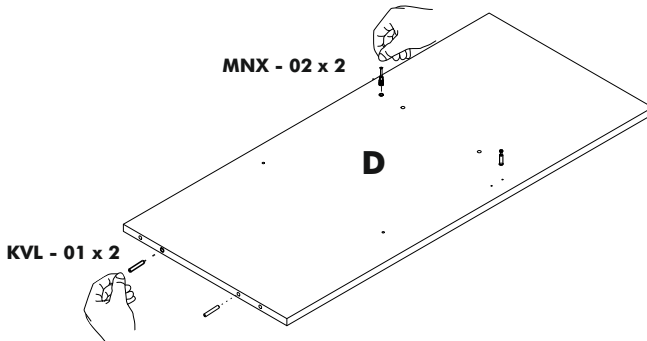
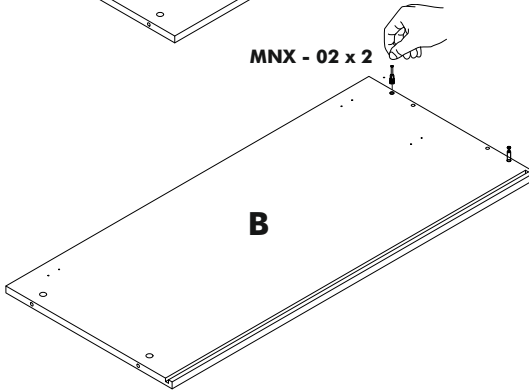
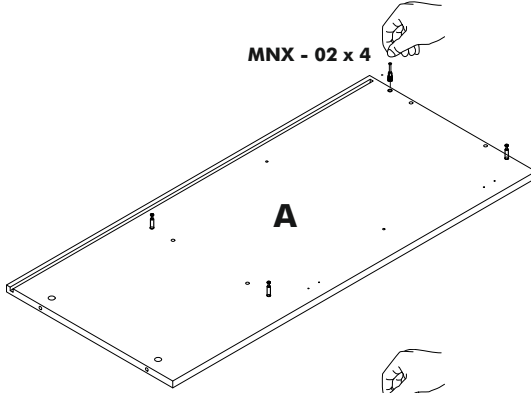
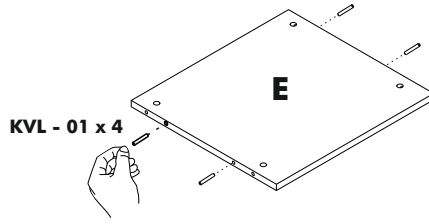
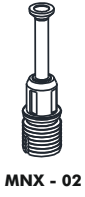
Track Title	Piece	(inch)			(mm)			
		Thickness	Length	Width	Piece	Thick	Height	Most
A		0,71	42,99	19,69	1	18	1092	500
B		0,71	42,99	19,69	1	18	1092	500
C		0,71	41,57	19,69	1	18	1056	500
D		0,71	42,28	18,90	1	18	1074	480
E		0,71	20,43	18,86	1	18	519	479
F		0,71	20,43	18,70	1	18	519	475
G		0,71	42,80	21,38	1	18	1087	543
H		0,71	28,66	21,38	1	18	728	543
K		0,31	42,60	21,06	2	8	1082	535

Accessories List

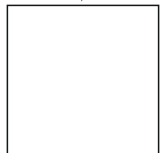
MXN 02  16 / piece VTB - 01 (4,8x16) mm	MNG - 01  16 / piece TS - 01	KVL 01  10 / piece PM - 01	TAP - 01  16 / piece BS - 01
 8 / piece DSE - 01 (40x90x32) mm	 4 / piece TFC - 01(8x70) mm	 4 / piece DD - 01 (R10)	 2 / piece PL - 02 (8x22x1) mm
 1 / piece VD - 03 (3,5x18) mm	 2 / piece VD - 02 (3,5x25) mm	 10 / piece AVT - 01	 6 / piece
 24 / piece			



STEP 1

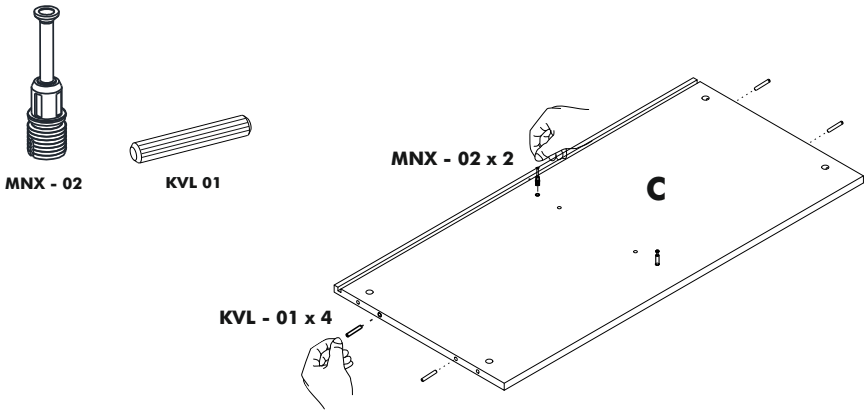


VIDEO

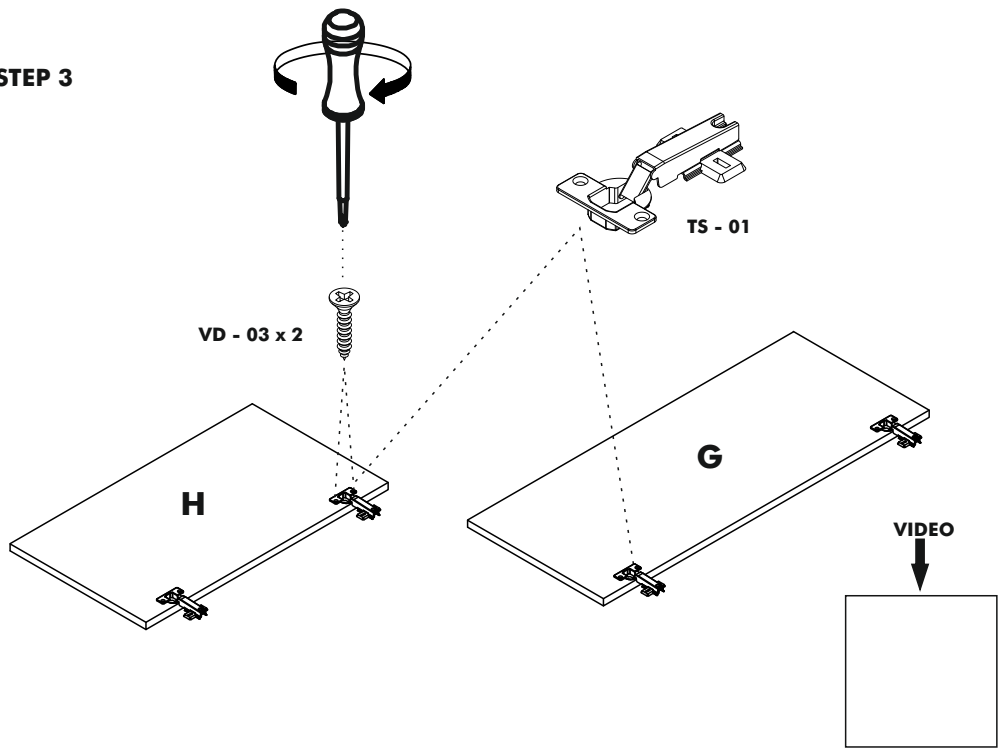


link

STEP 2



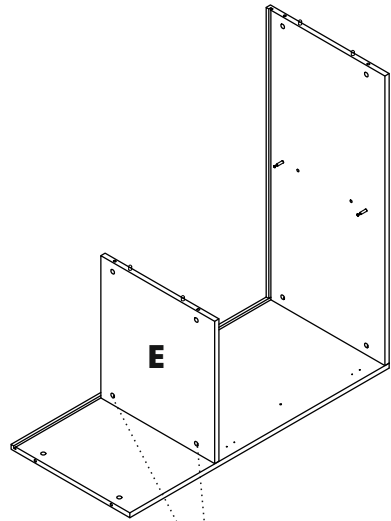
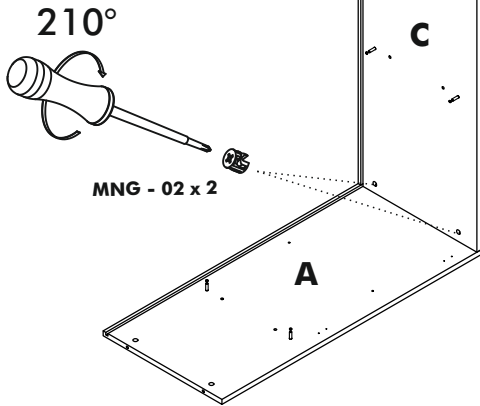
STEP 3



STEP 4



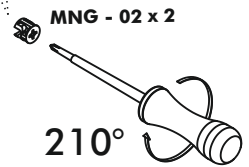
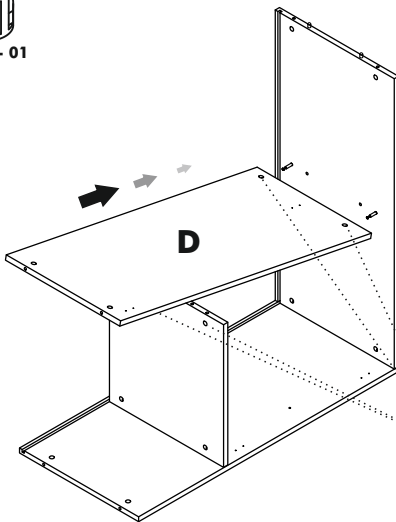
MNG - 01



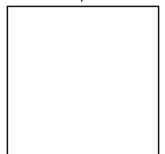
STEP 5



MNG - 01

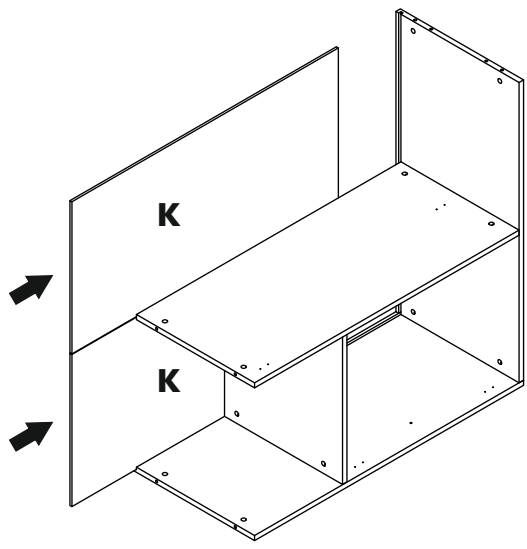


VIDEO

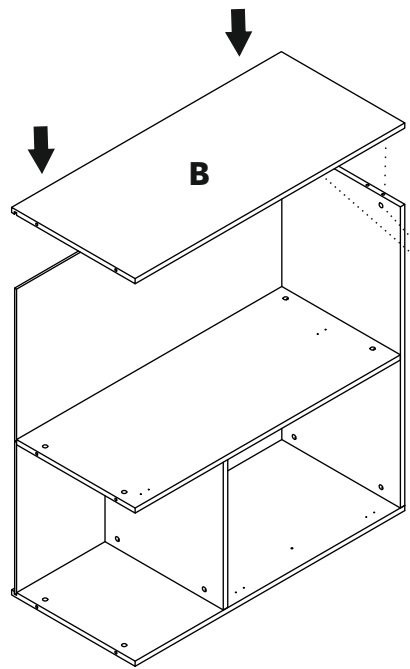


link

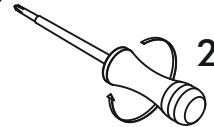
STEP 6



STEP 7

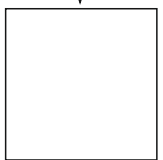


MNG - 02 x 2



210°

VIDEO



link

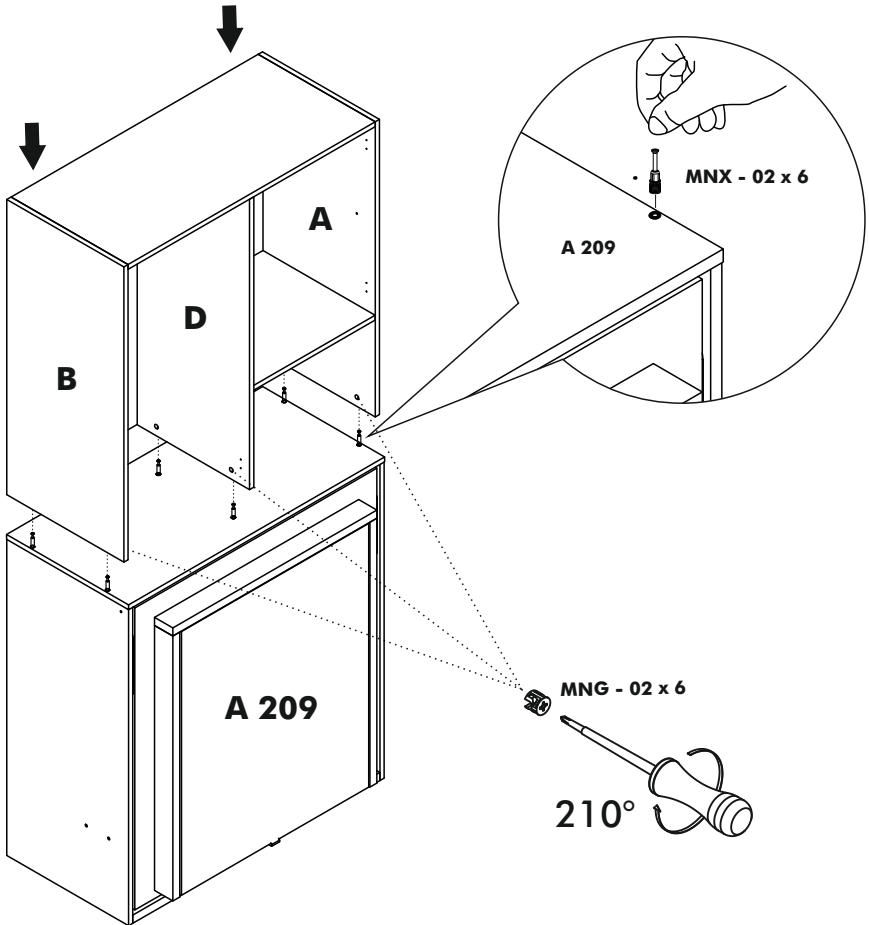
STEP 8



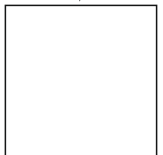
MNX - 02



MNG - 01

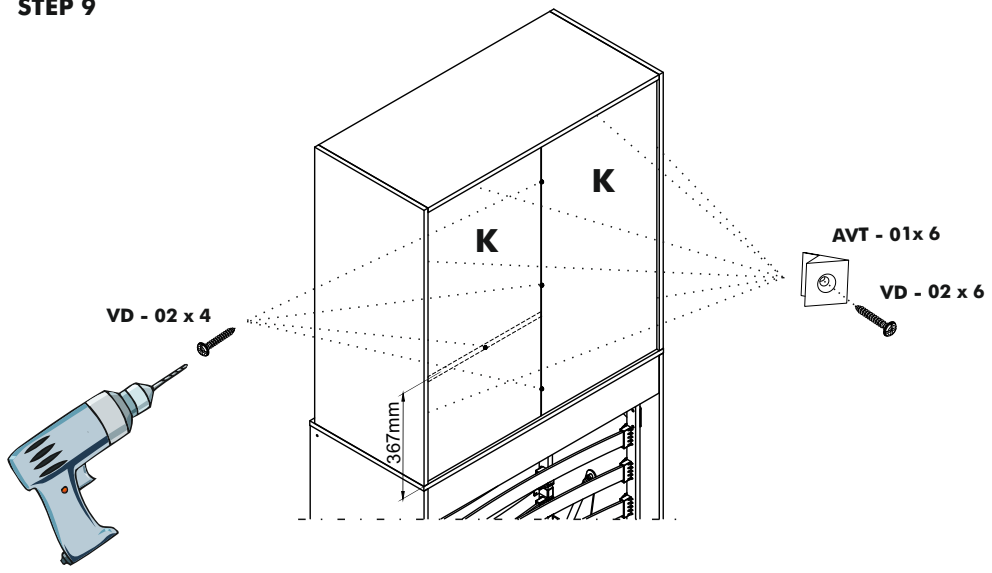


VIDEO

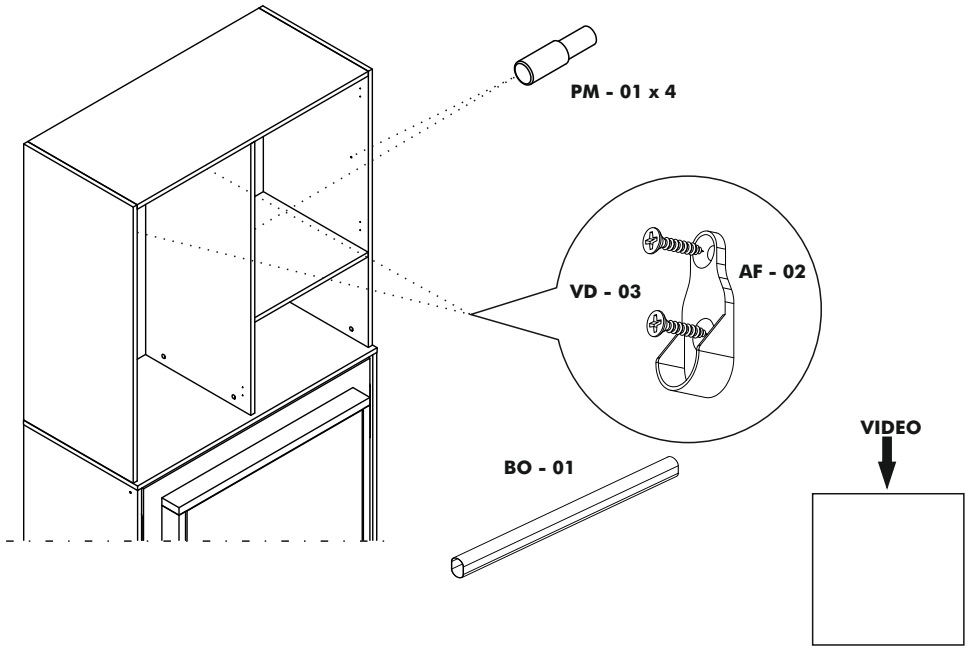


link

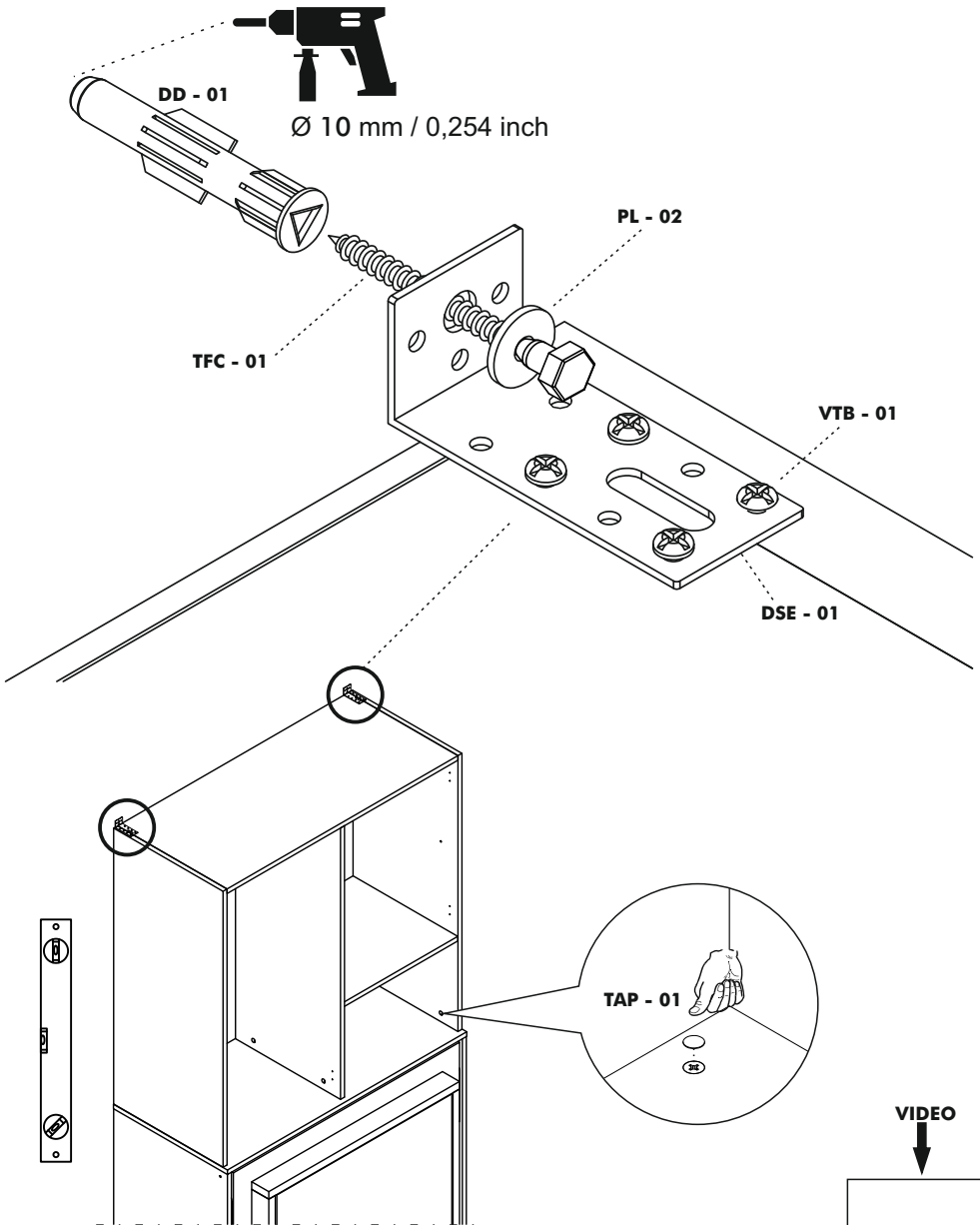
STEP 9



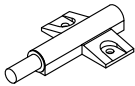
STEP 10



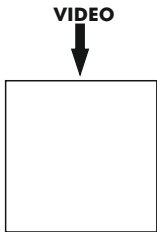
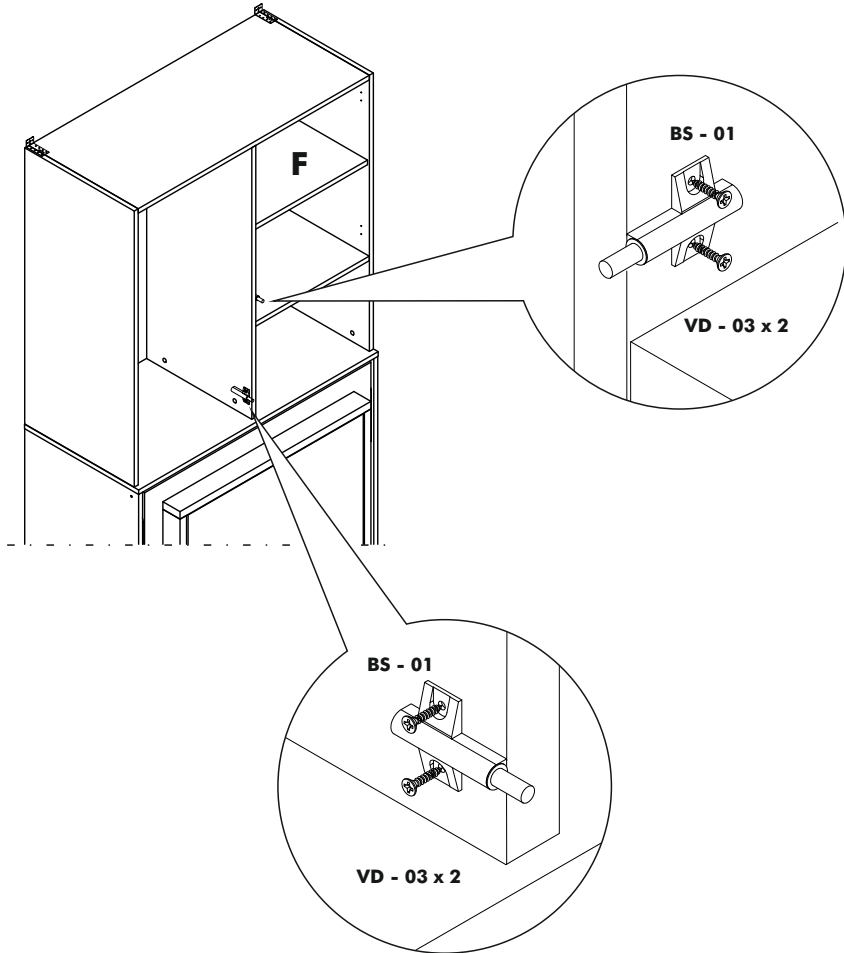
STEP 11



STEP 12

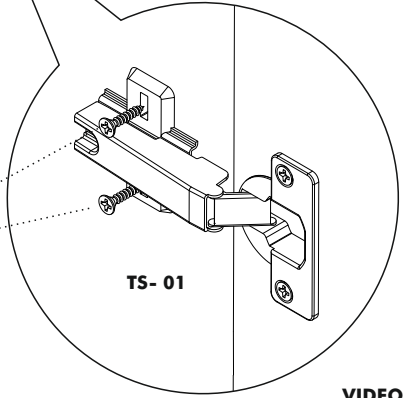
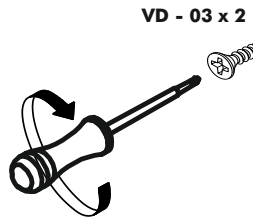
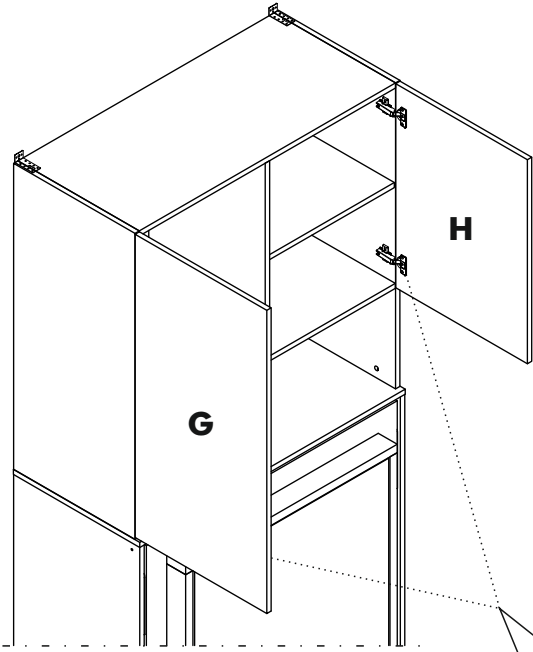


BS - 01

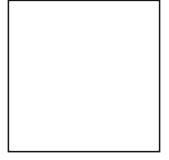


link

STEP 12



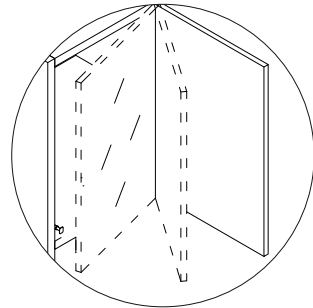
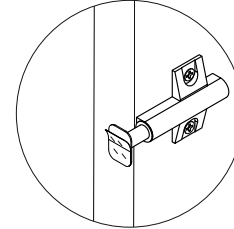
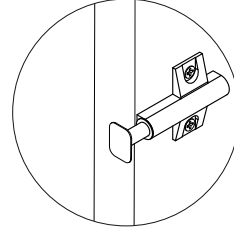
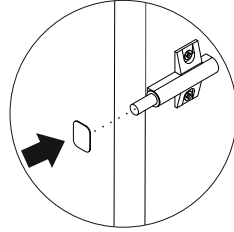
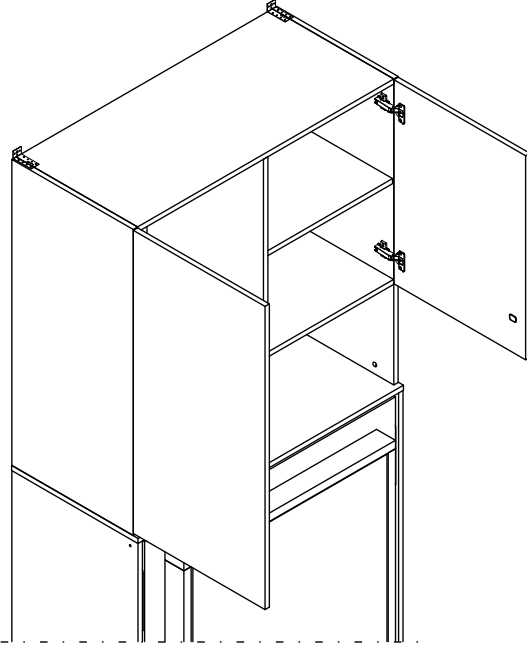
VIDEO



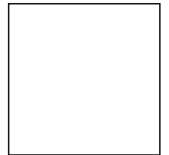
link

STEP 13

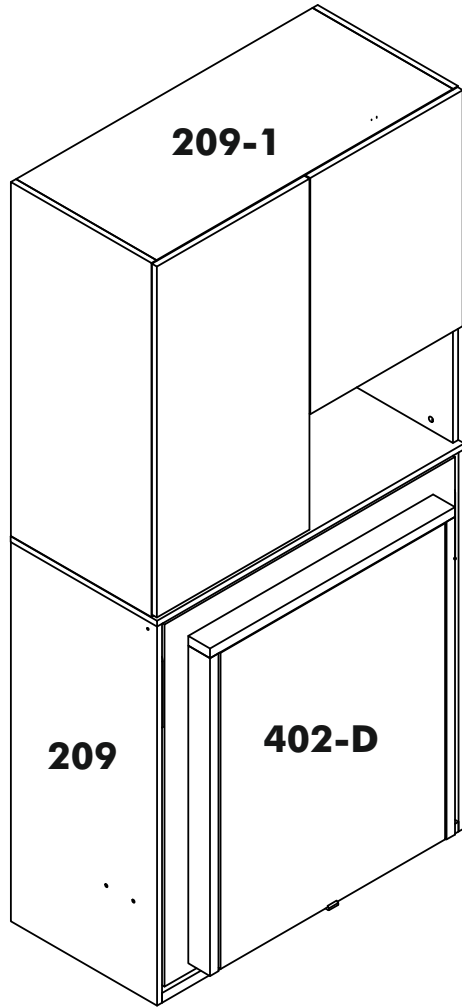
Yapıştırırmadan önce yüzeyin tozlu olmadığından emin olun
Before sticking , make sure that the surface is not dusty



VIDEO



link



ATTENTION / HOW TO / READ ME / OWNER'S GUIDE

1. When mounting on a regular drywall, furniture must be fastened to wood or metal studs. Solid walls made of brick, concrete or similar strong material are also acceptable. Do not mount furniture to paper-mache or sheetrock (plasterboard) like material without properly fixing to stud.

2. For safety and product longevity you must periodically inspect the mounting and mechanical connections for integrity and tightness. Confirm hardware remains properly affixed and connections snug.

3. Wall Bed mattress thickness may not exceed 8 inches (200mm). Take care to remove pillows and excess blankets before closing. Doing so keeps mechanism free of obstruction and unnecessary stress.

4. Do not lean or rest heavy objects on side or top of furniture. This may cause balance issues and compromise the integrity of your mounting connections.

5. Please use the furniture's beds, desks and shelving as intended. Not designed to be sat, stood, leaned, jumped (etc) on. Improper use may cause personal injury and damage to property.

6. With seasonal humidity change you must inspect interior and exterior of furniture.

7. Single bed models are suitable for the weight of one person. Sleeping by more than one person will cause damage of the product.

8. Before any un-mounting or disassembly please contact Multimo for technical support and instruction. Failure to properly detach risks injury to person and damage to property.

9. For Bunk Beds:

- a. Always use provided ladder when accessing top bunk.
- b. Be slow, careful and aware of surroundings when opening top bunk.
- c. Do not horseplay. Beds are to be slept on only.
- d. Some have legs that fully extend when open- be aware of where the leg is and will be.



MULTiMO

www.multimo.com