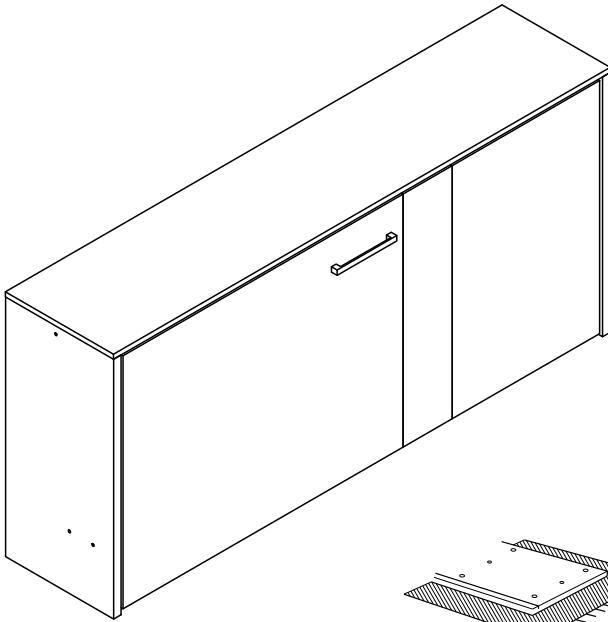








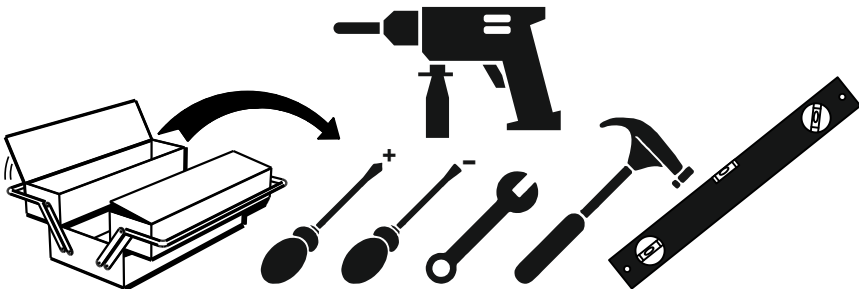
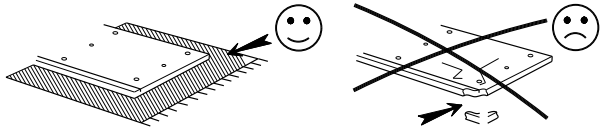
MULTIMO

1116- SMART BUNK TOP



 **65** min.

Technical Service

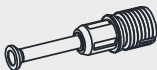
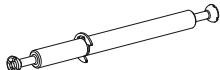



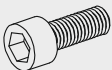
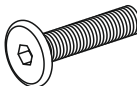
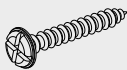
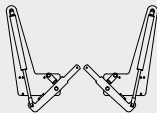

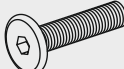
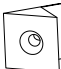
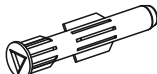
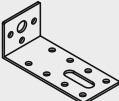
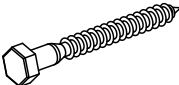





 **95** min.

End User

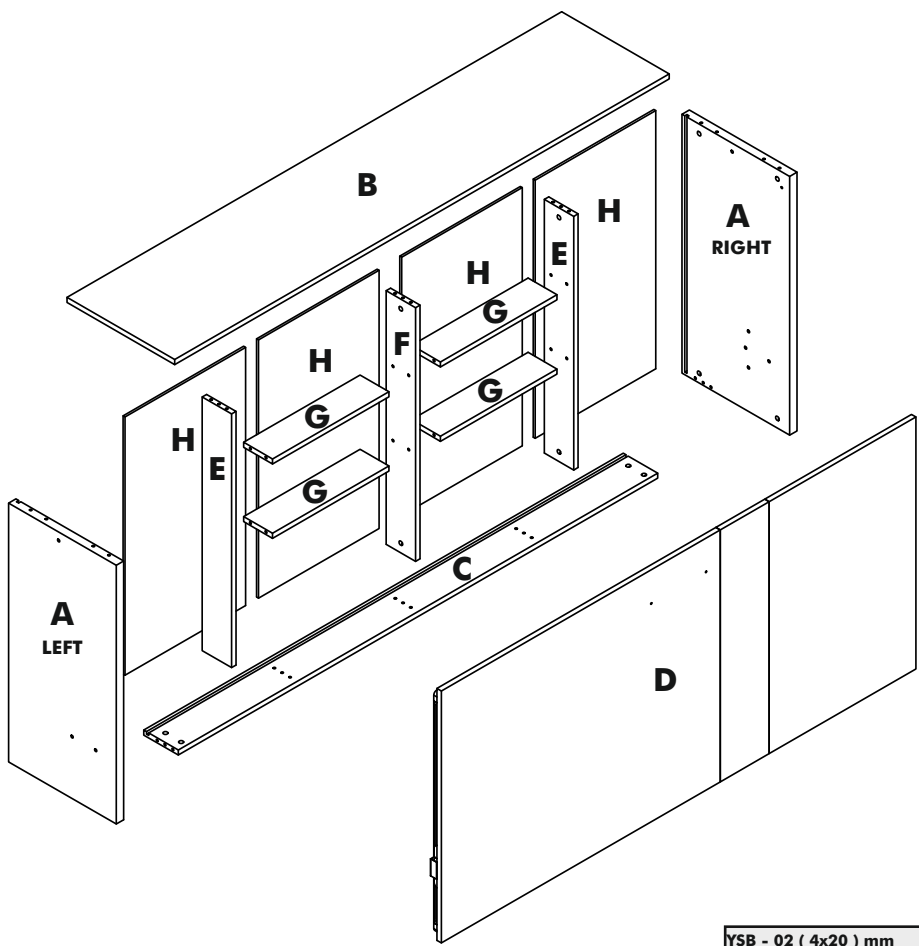



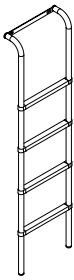
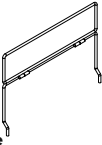
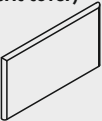
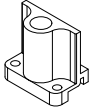
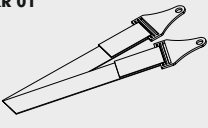
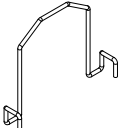
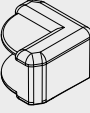
link

Track Title	Piece	(inch)			(mm)			
		Thickness	Length	Width	Piece	Thick	Height	Most
A-R / A-L	2	1,18	36,06	17,32	2	30	916	440
B	1	1,18	79,61	17,36	1	30	2022	441
C	1	0,71	77,17	5,55	1	18	1960	141
D	1	0,71	76,38	35,12	1	18	1940	892
E-R / E-L	2	0,71	35,35	4,72	2	18	898	120
F	1	0,71	35,35	4,72	1	18	898	120
G	4	0,71	18,74	4,65	4	18	476	118
H	4	0,31	35,98	19,41	4	8	914	493

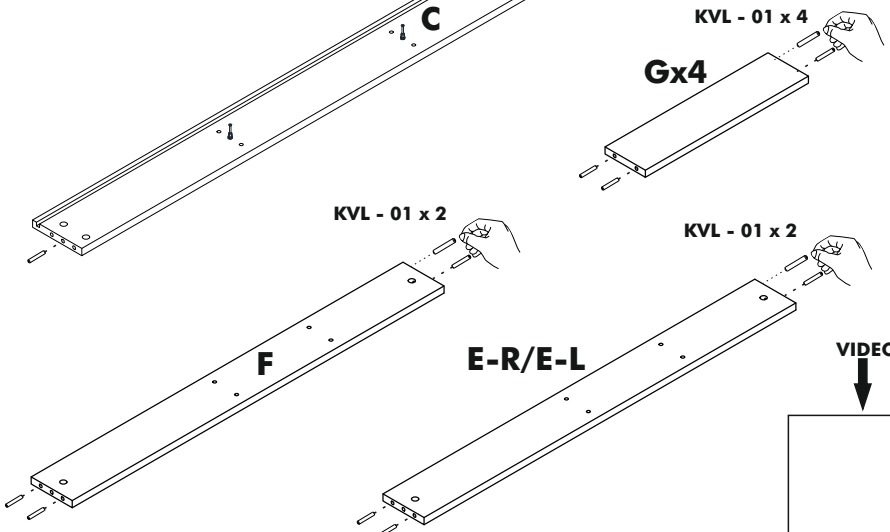
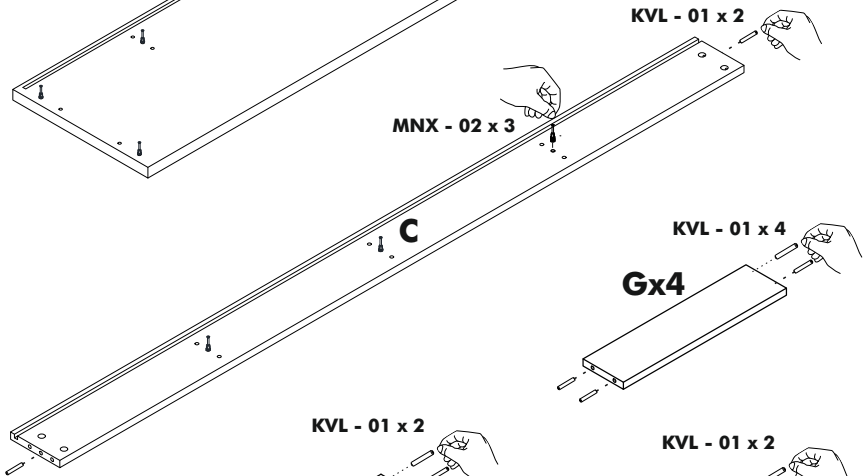
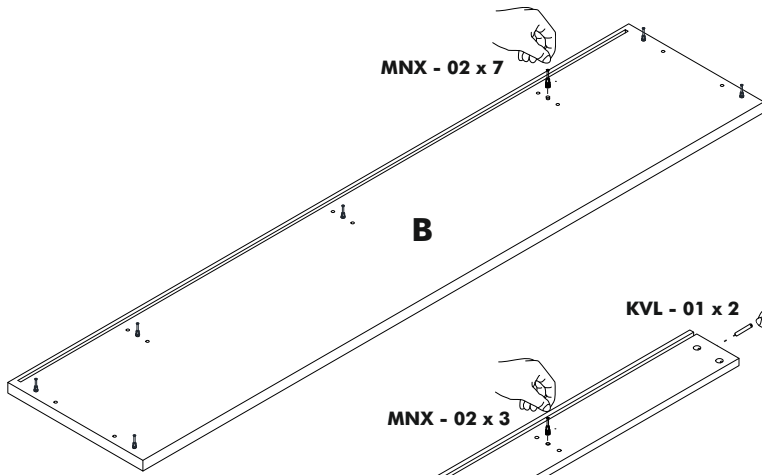
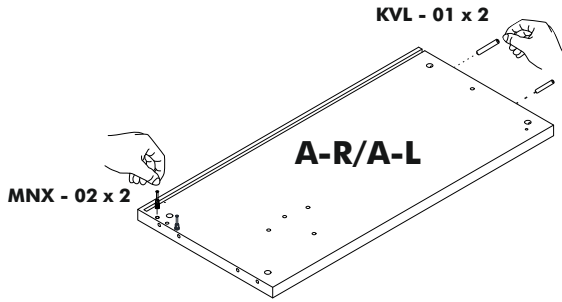
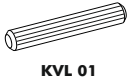
Accessories List

MNX 02  14 / piece	MNX - 04 (98mm)  4 / piece	KVL 01  38 / piece	MNG - 01  18 / piece
TAP - 01  18 / piece	IM - 01 (6x30) mm  4 / piece	CT - 01 (6x40) mm  2 / piece	VD - 02 (3,5x25) mm  19 / piece
MKZ - 02  1 / piece 300 N	PL-006  2 / piece	CT - 02 (6x30) mm  2 / piece	AVT - 01  10 / piece
DD - 01 (R10)  3 / piece	DSE - 01 (40x90x32) mm  3 / piece	TFC - 01(8x70) mm  3 / piece	VTB - 01 (4,8x16) mm  12 / piece
OT-054  2 / piece	VKP - 01 (22) mm  2 / piece	KP - 01 (224) mm  1 / piece	PL - 02 (8x22x1) mm  3 / piece

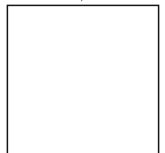


YSB - 02 (4x20) mm  16 / piece			
MRD 03  1 / piece	KOR 02  4 / piece	KLF 02 (fabric cover)  4 / piece	KBP - 01  8 / piece
AKR 01  2 / piece	TTC 01  2 / piece	KKS - 01  2 / piece	

STEP 1

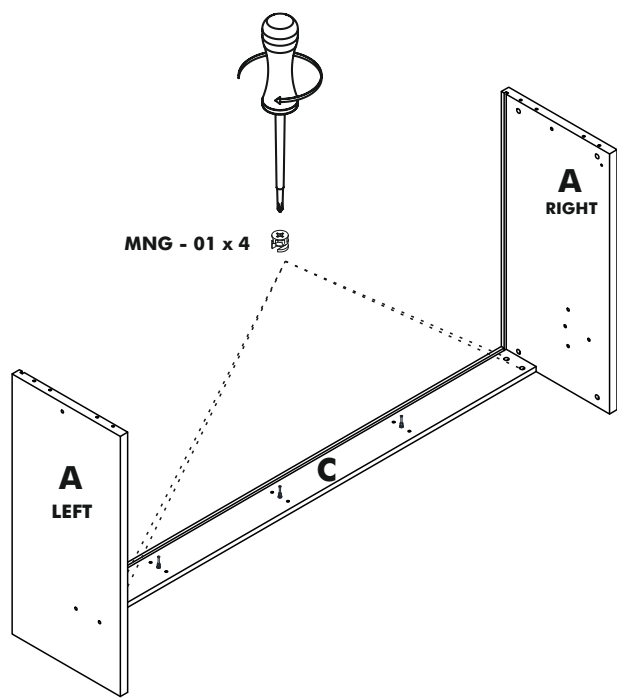


VIDEO

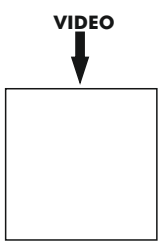
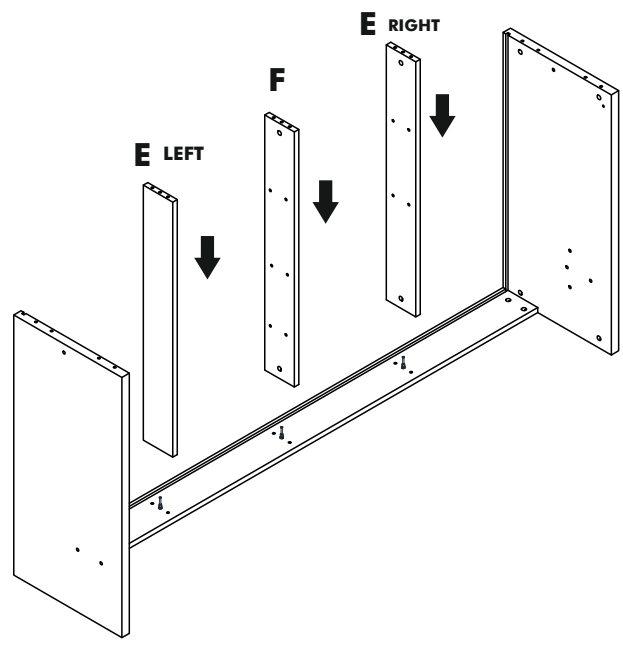


link

STEP 2



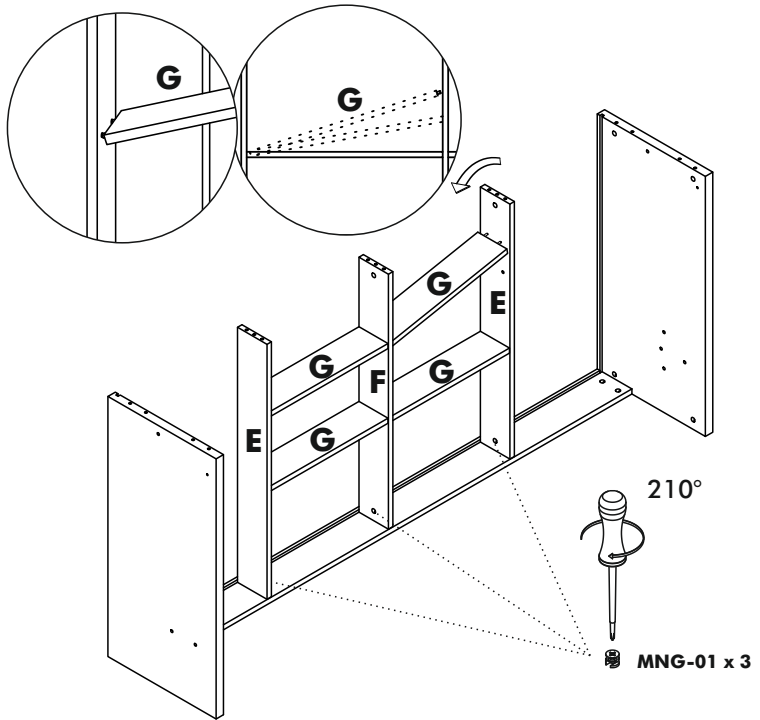
STEP 3



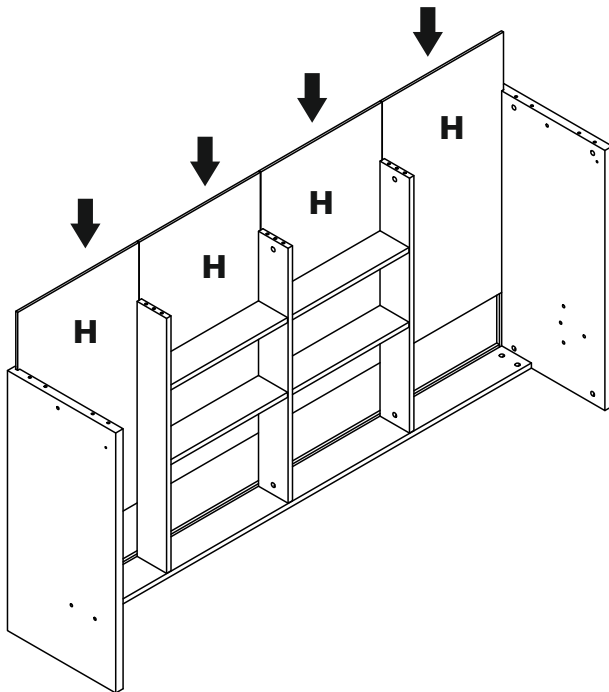
STEP 4



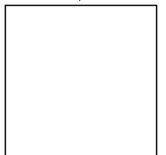
MNG - 01



STEP 5

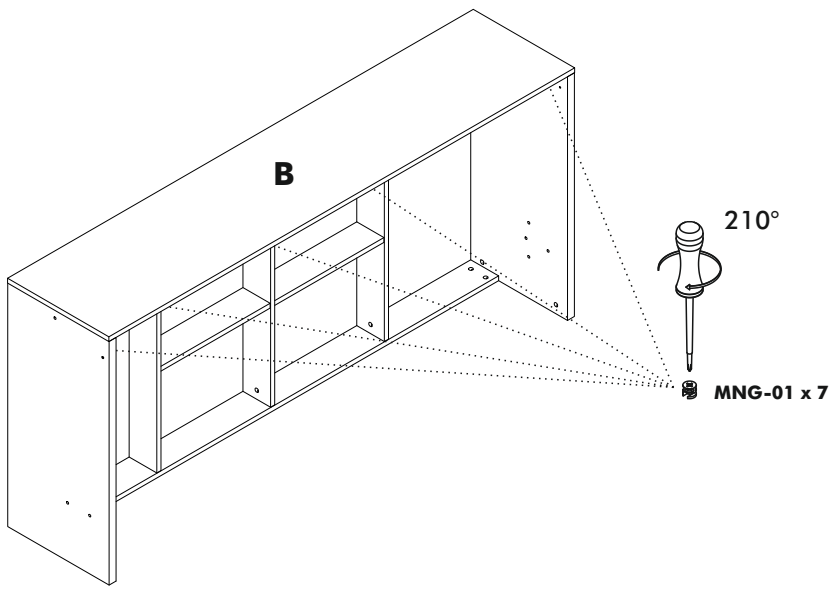


VIDEO

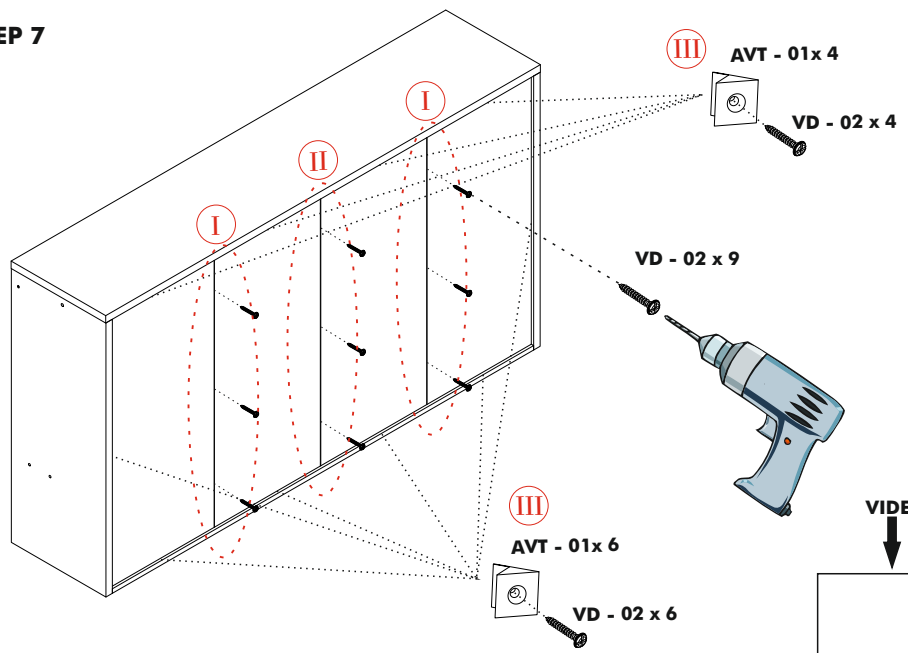


link

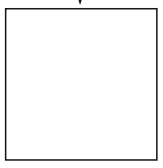
STEP 6



STEP 7

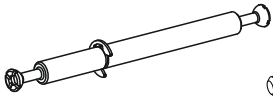


VIDEO

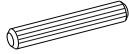


link

STEP 8



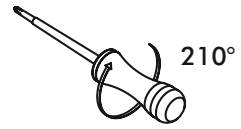
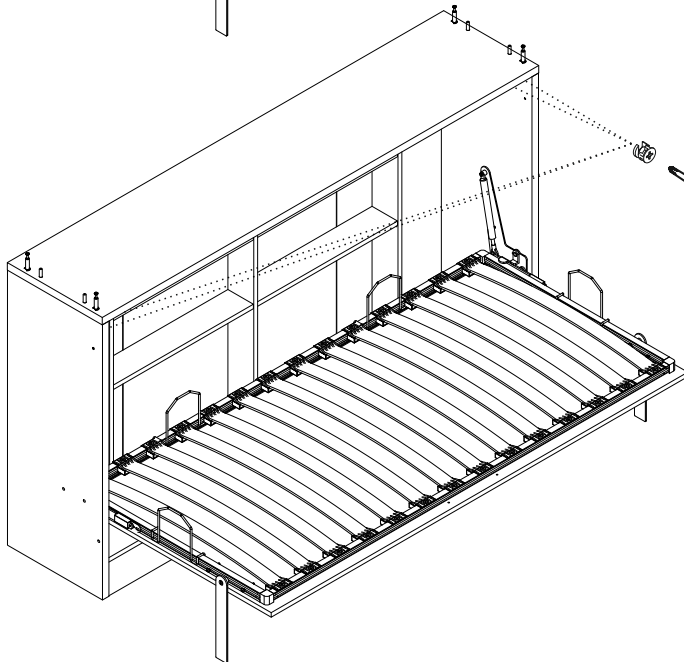
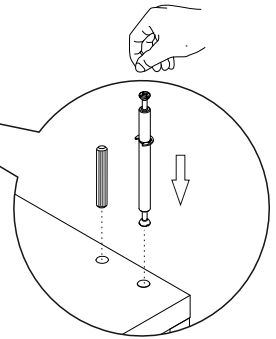
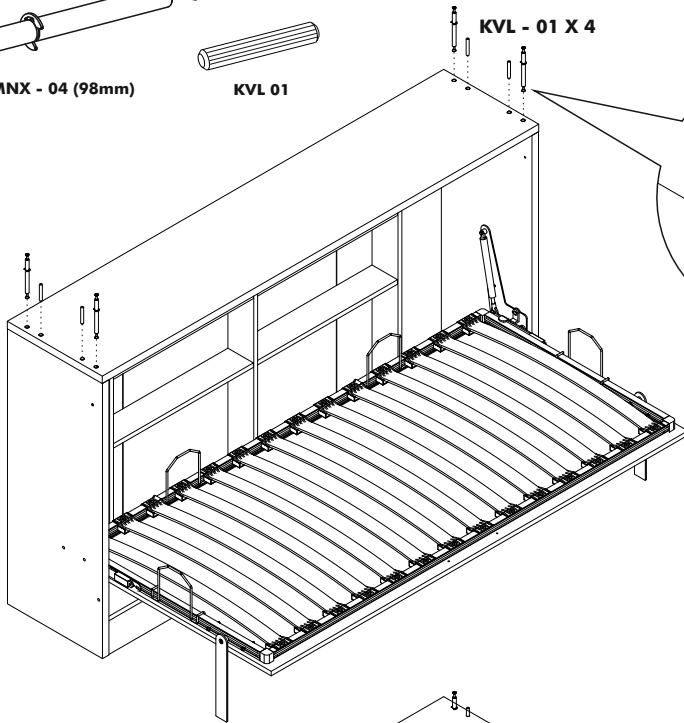
MNX - 04 (98mm)



KVL 01

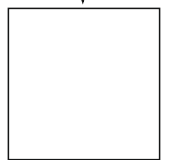
MNX - 04 X 4

KVL - 01 X 4



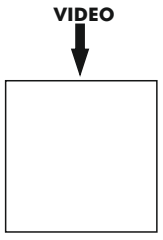
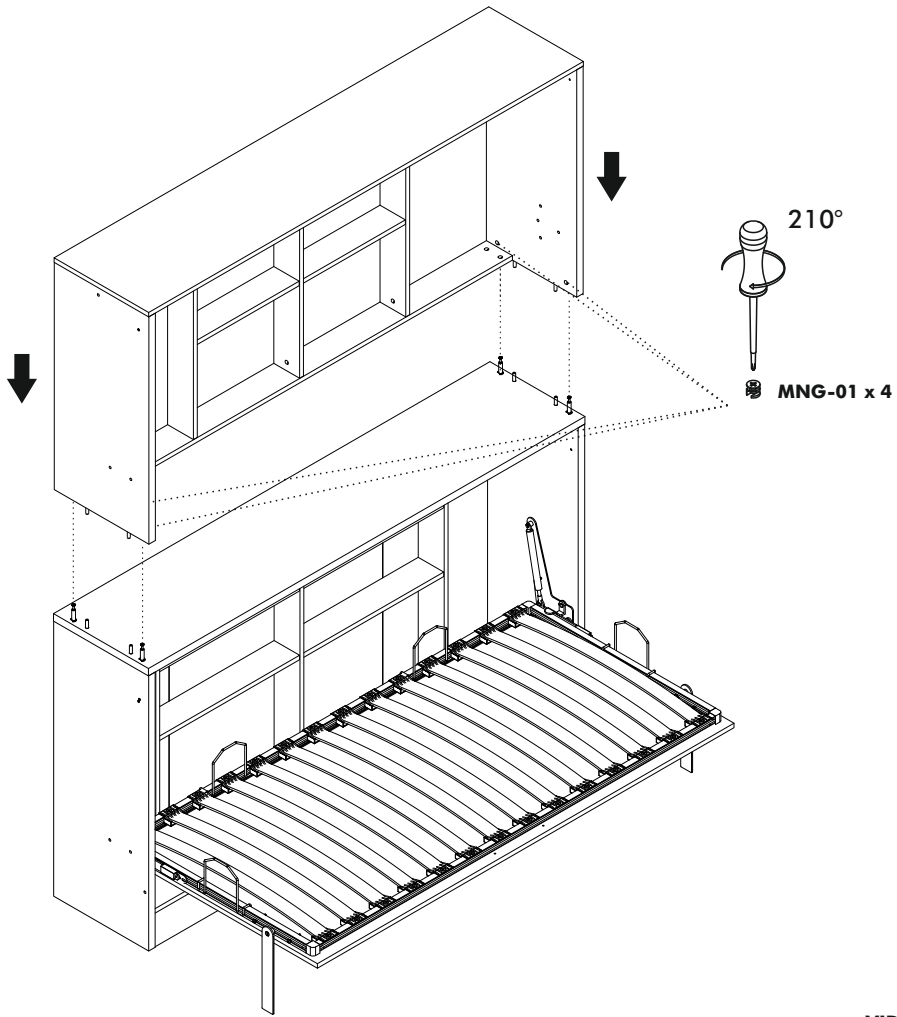
210°

VIDEO

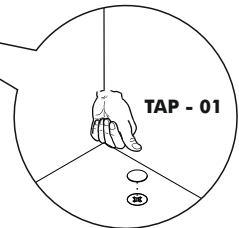
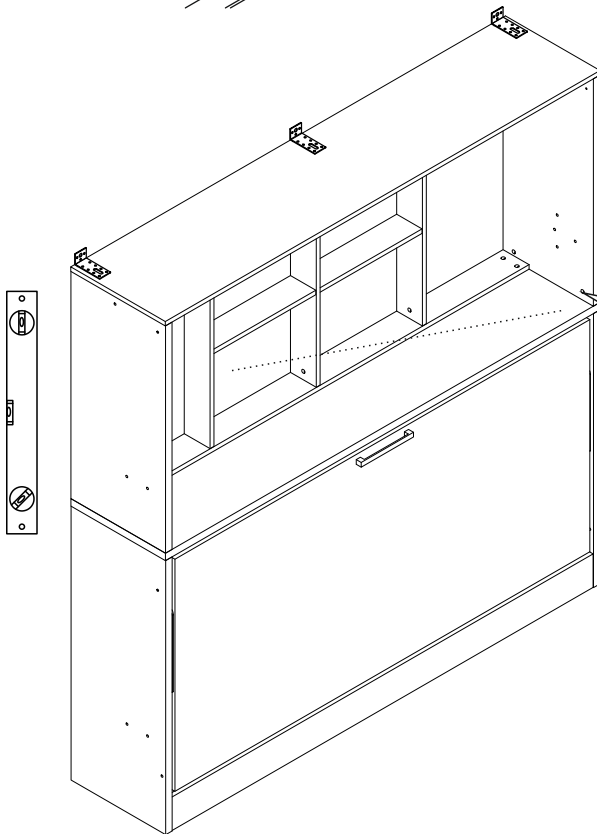
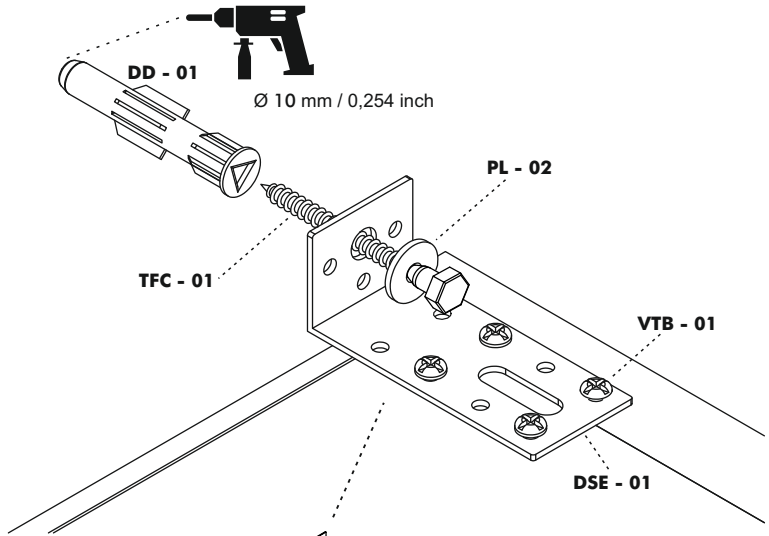


link

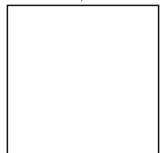
STEP 9



STEP 10

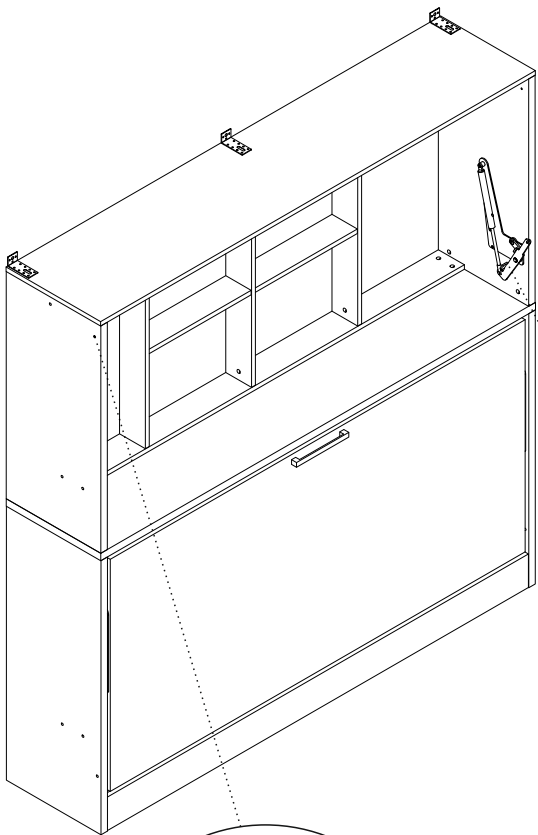


VIDEO



link

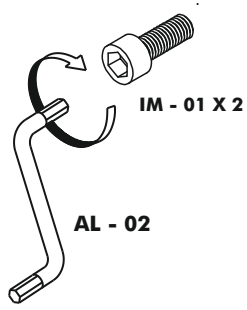
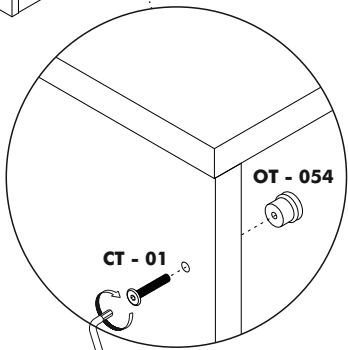
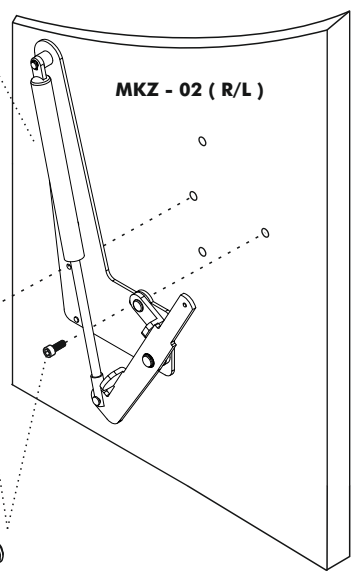
STEP 11



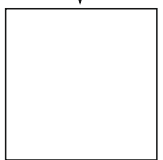
**Vidayı çıkarın
Remove the screw**



**CAUTION
DO NOT UNLOCK BEFORE INSTALL**



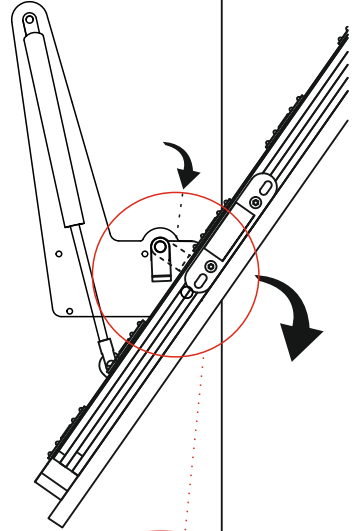
VIDEO



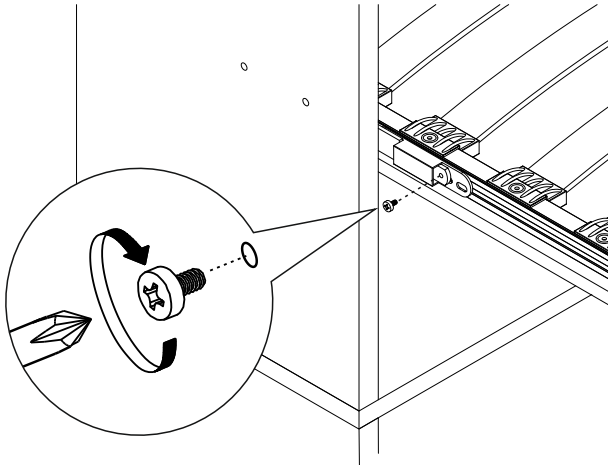
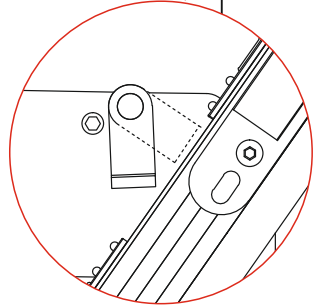
link

STEP 12

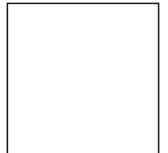
45-50°



KAPAK KAPATILMADAN KİLİDİ İNDİRİN !!!
LET THE STOPPER LOCK MOVE DOWN !!!

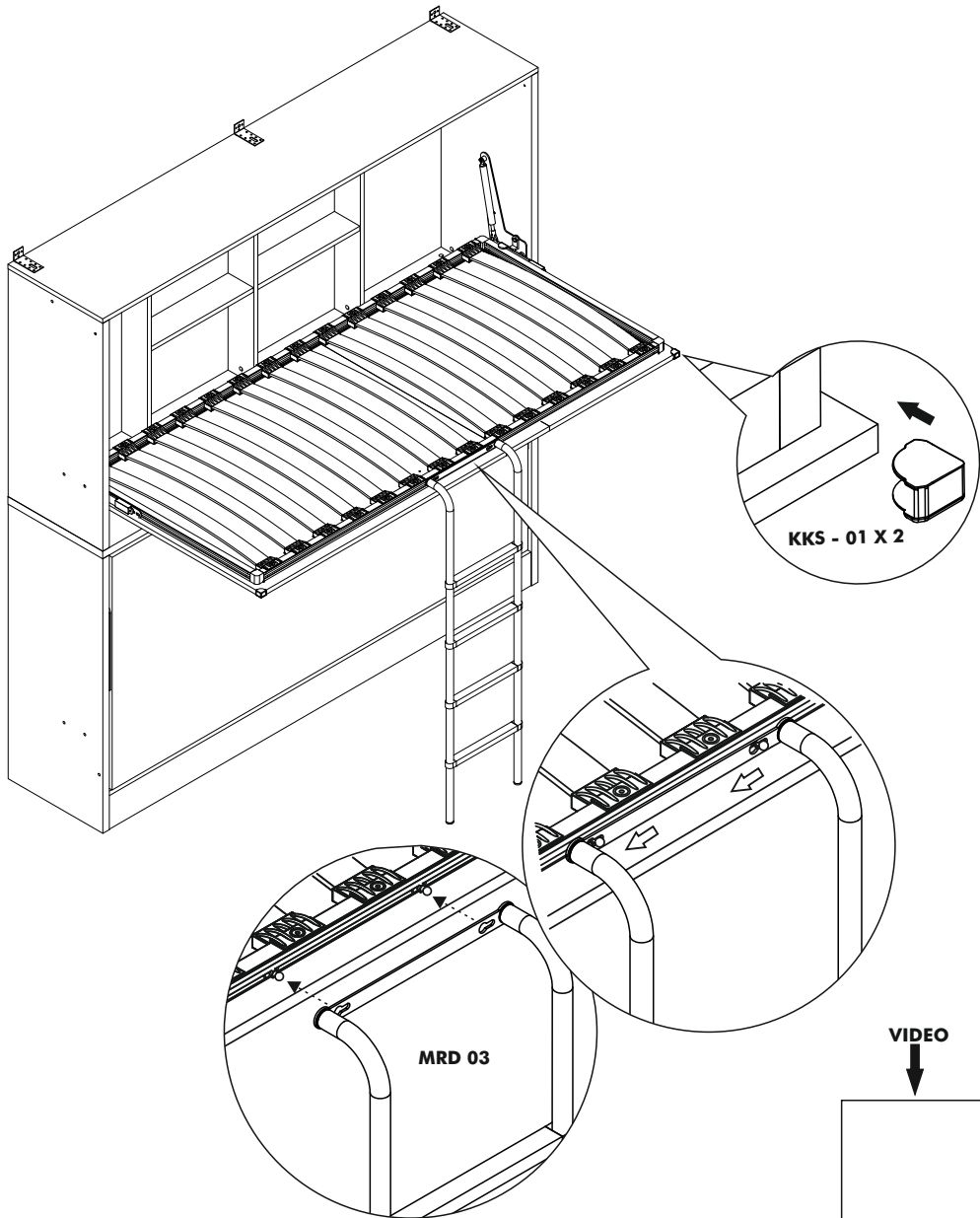


VIDEO

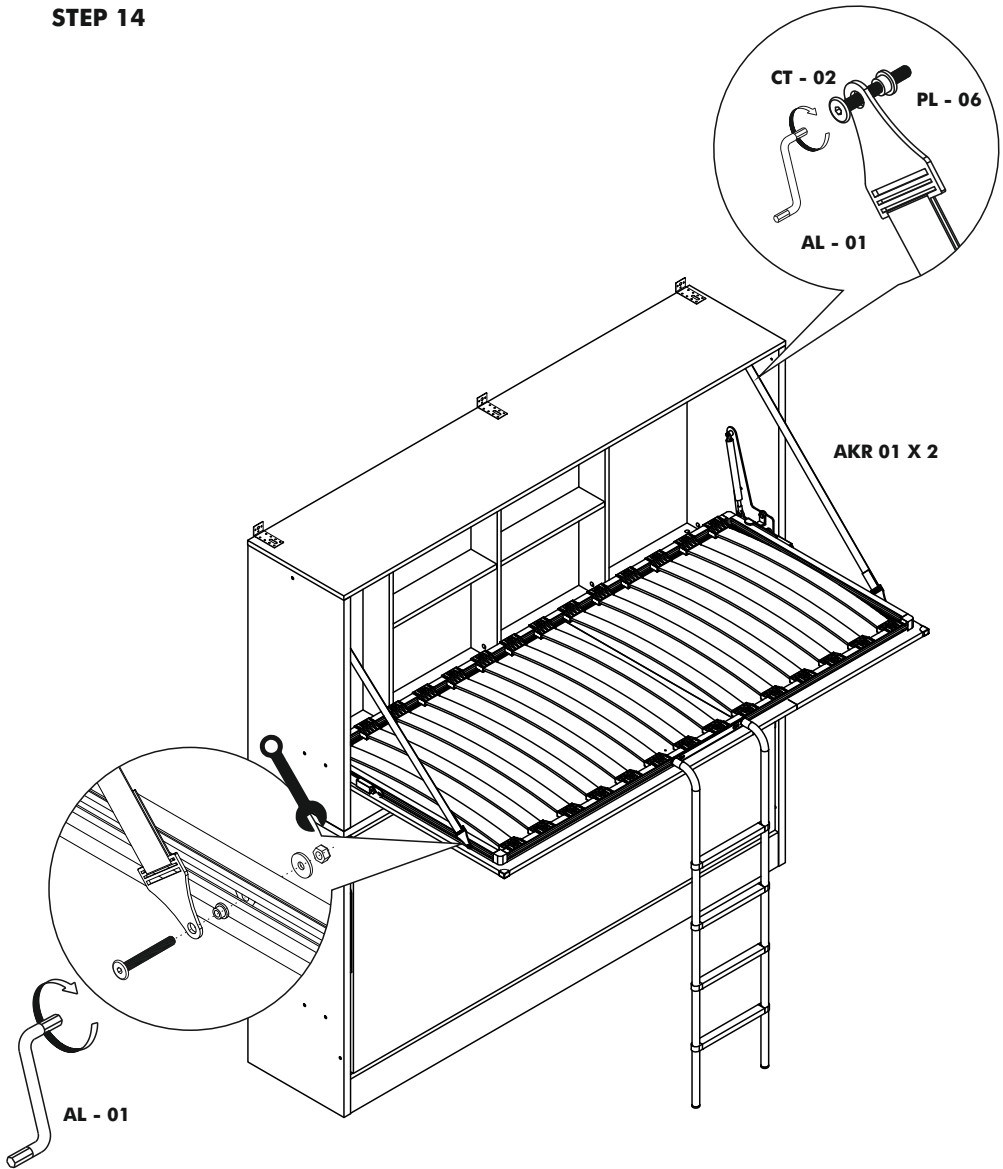


link

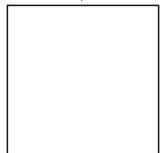
STEP 13



STEP 14

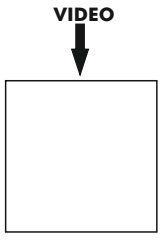
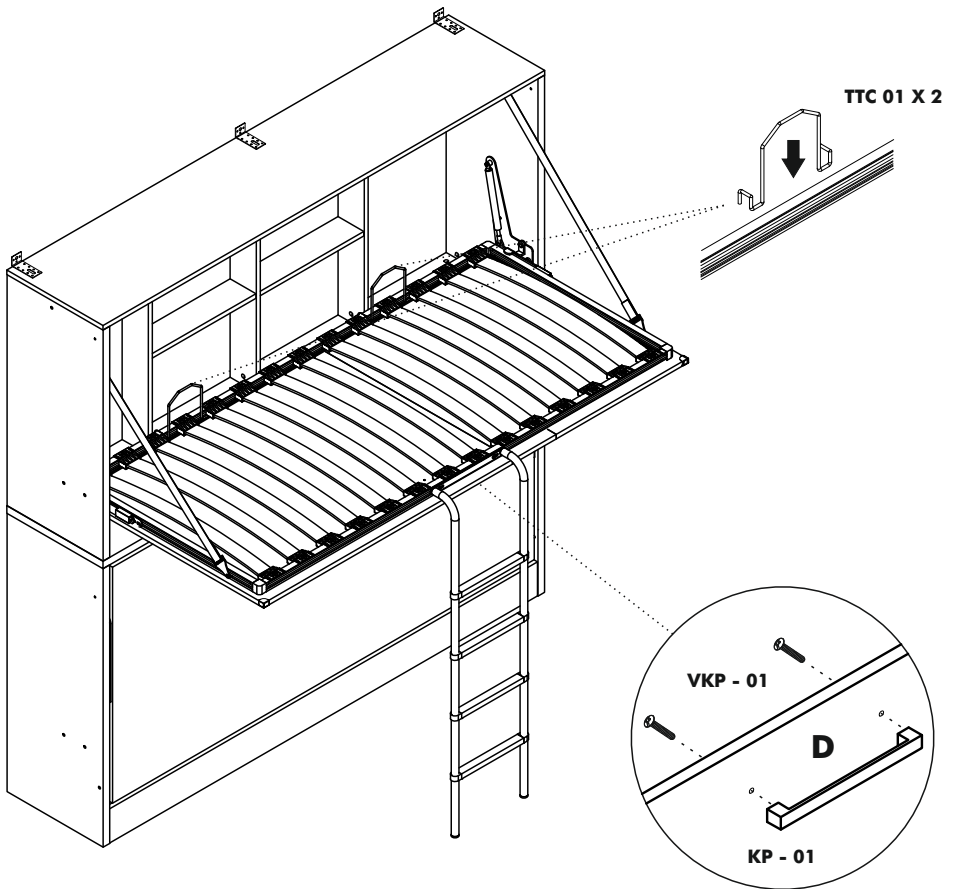


VIDEO



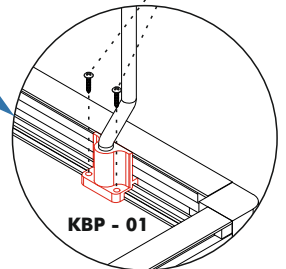
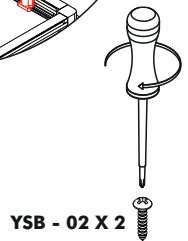
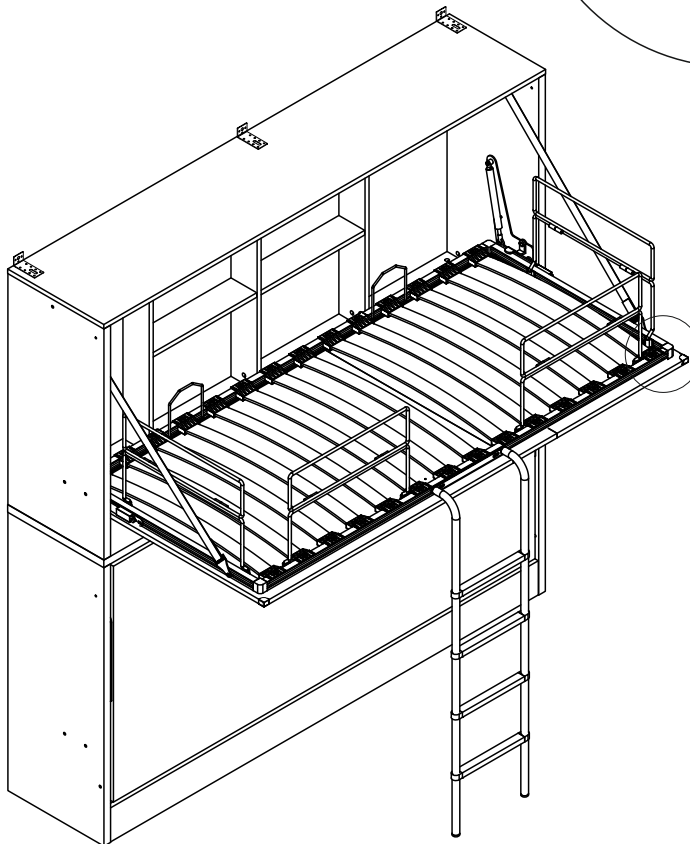
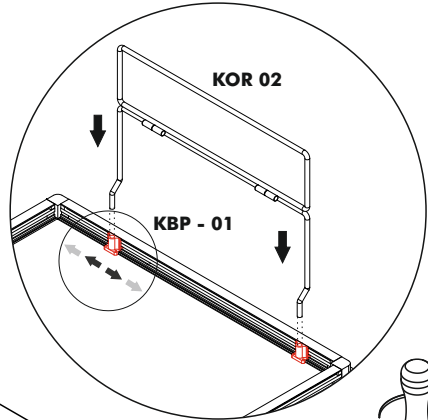
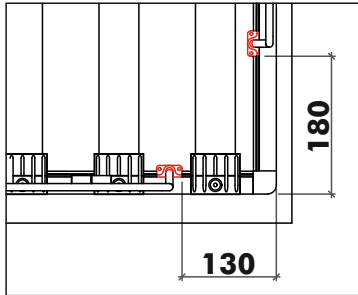
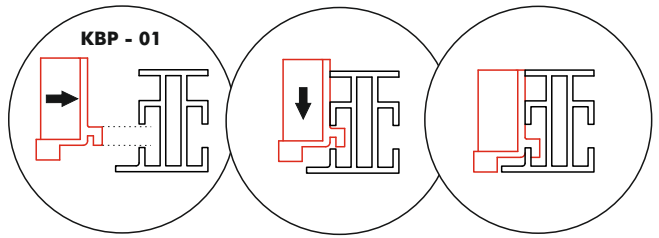
link

STEP 15

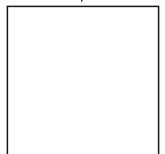


link

STEP 16

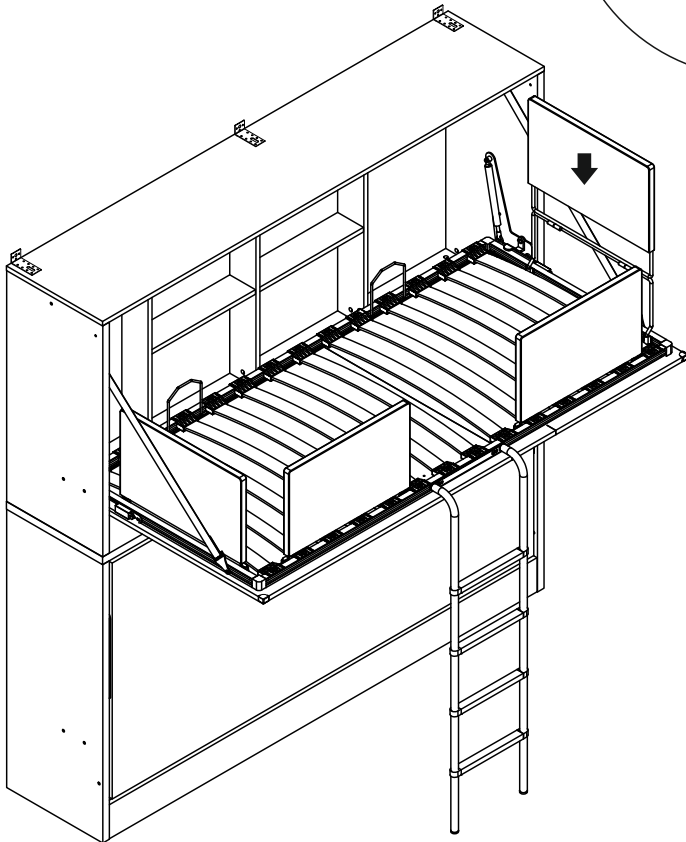
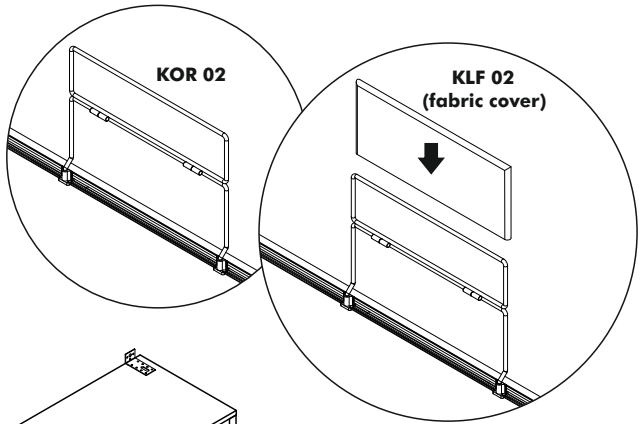


VIDEO

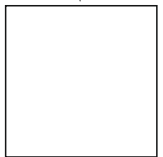


link

STEP 17

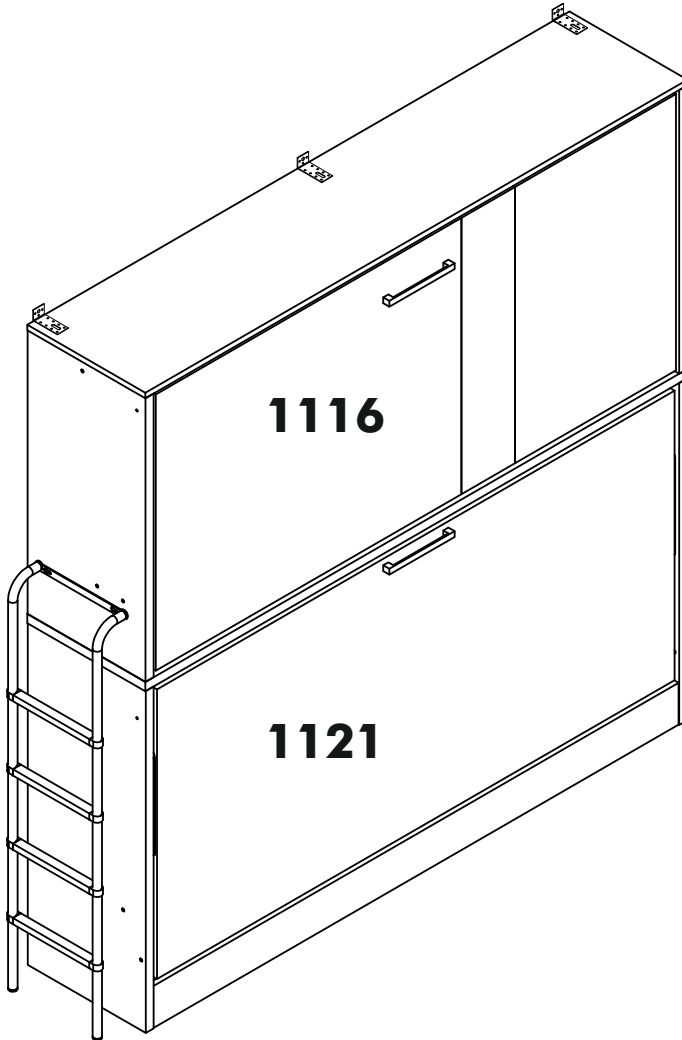


VIDEO

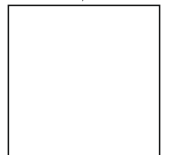


link

STEP 0



VIDEO



link

ATTENTION / HOW TO / READ ME / OWNER'S GUIDE

1. When mounting on a regular drywall, furniture must be fastened to wood or metal studs. Solid walls made of brick, concrete or similar strong material are also acceptable. Do not mount furniture to paper-mache or sheet rock like material without properly affixing to stud.
2. For safety and product longevity you must periodically inspect the mounting and mechanical connections for integrity and tightness. Confirm hardware remains properly affixed and connections snug.
3. Wall Bed mattress thickness may not exceed 8 inch. Take care to remove pillows and excess blankets before closing. Doing so keeps mechanism free of obstruction and unnecessary stress.
4. Do not lean or rest heavy objects on side or top of furniture. This may cause balance issues and compromise the integrity of your mounting connections.
5. Please use the furniture's beds, desks and shelving as intended. Not designed to be sat, stood, leaned, jumped (etc) on. Improper use may cause personal injury and damage to property.
6. With seasonal humidity change you must inspect interior and exterior of furniture.
7. Single, Twin, Twin XL beds accommodate the weight of one person. Improperly sleeping more than one person risks injury to person and damage to property.
8. Before any un-mounting or disassembly please contact Multimo for technical support and instruction. Failure to properly detach risks injury to person and damage to property.
9. For Bunk Beds:
 - a. Always use provided ladder when accessing top bunk.
 - b. Be slow, careful and aware of surroundings when opening top bunk.
 - c. Do not horseplay. Beds are to be slept on only.
 - d. Some have legs that fully extend when open- be aware of where the leg is and will be.



MULTiMO

www.multimo.com