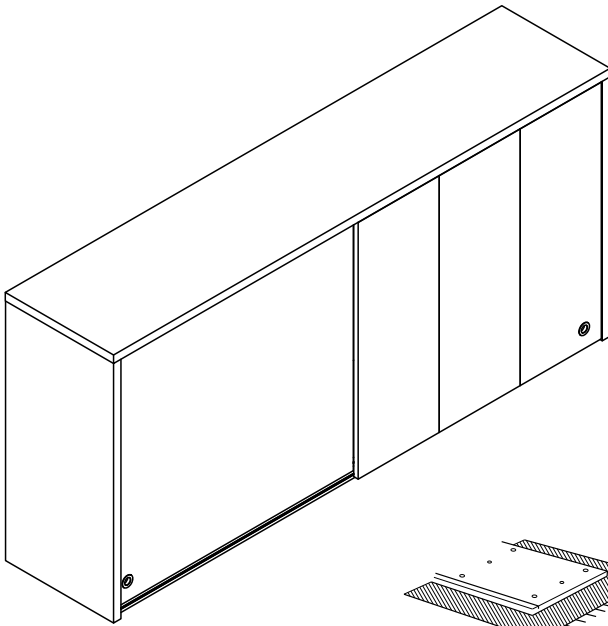




MULTIMO

1114- ACADEMY TOP CABINET



45 min.



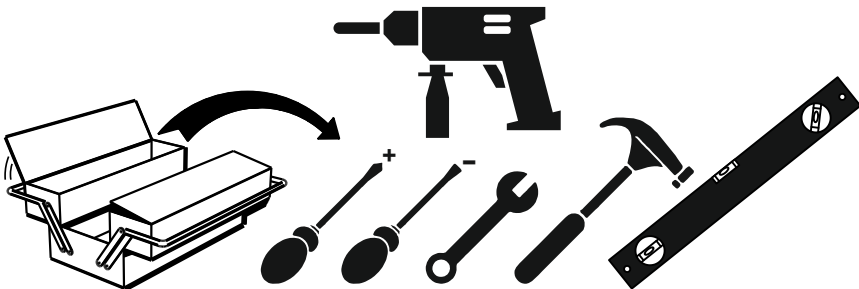
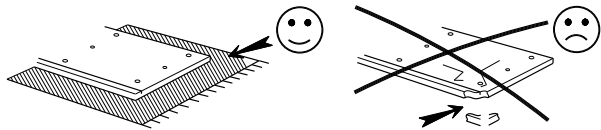
Technical Service



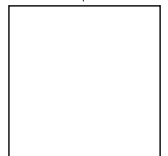
75 min.



End User



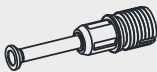
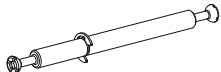



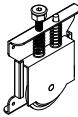


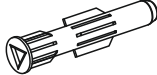
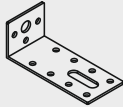
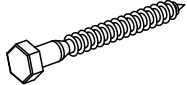


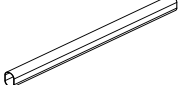


VIDEO

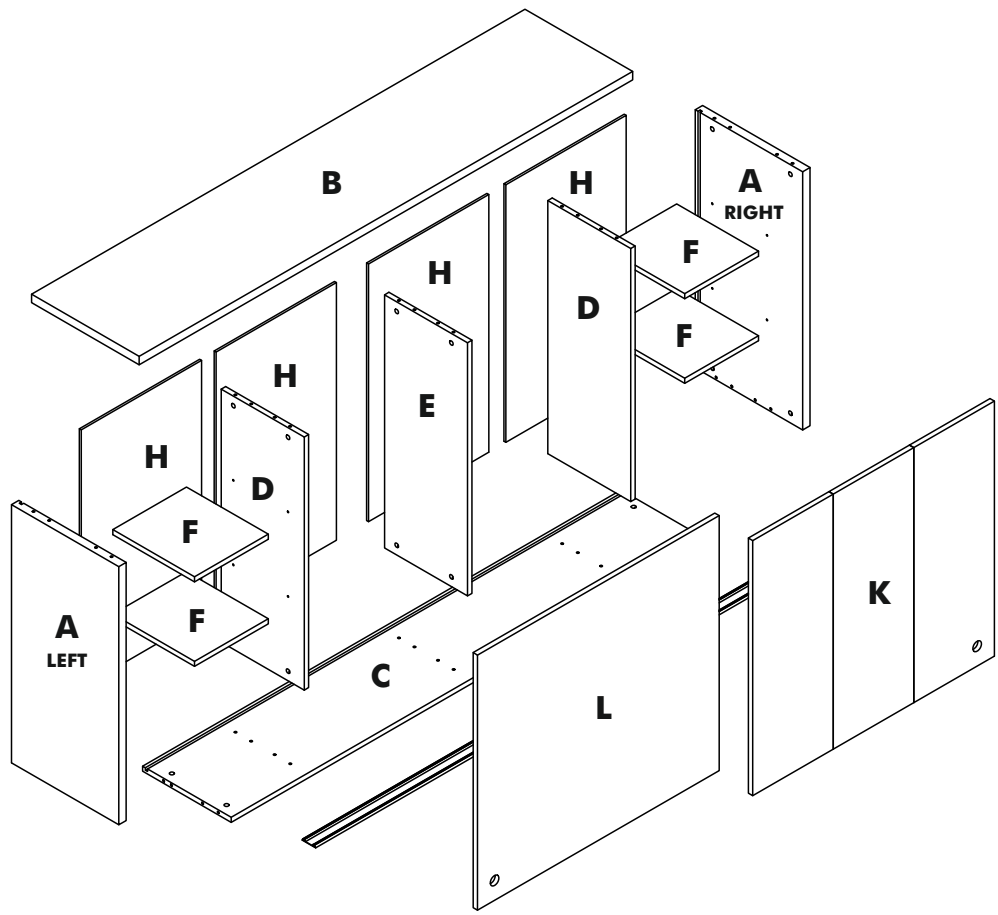


link

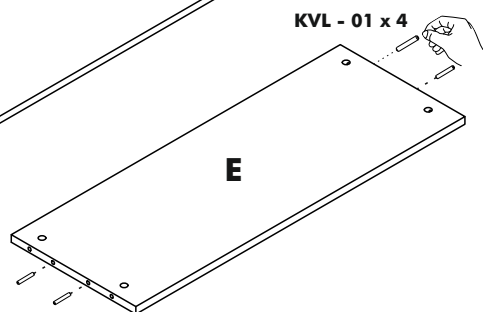
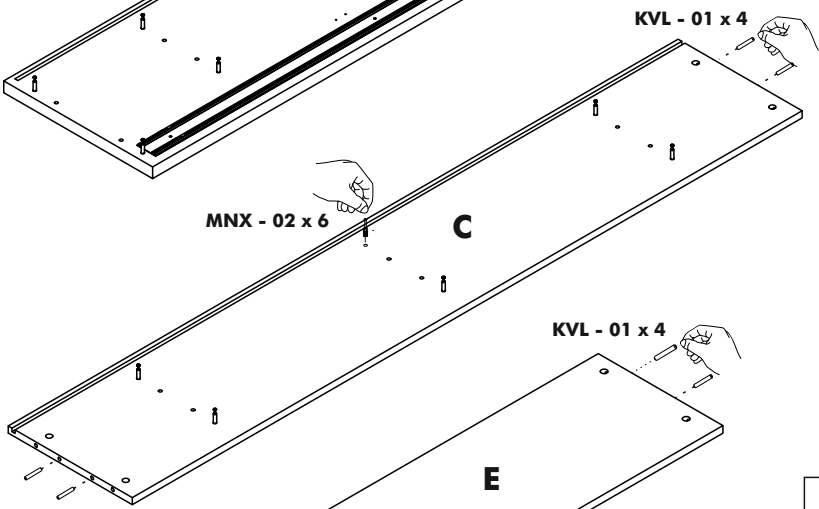
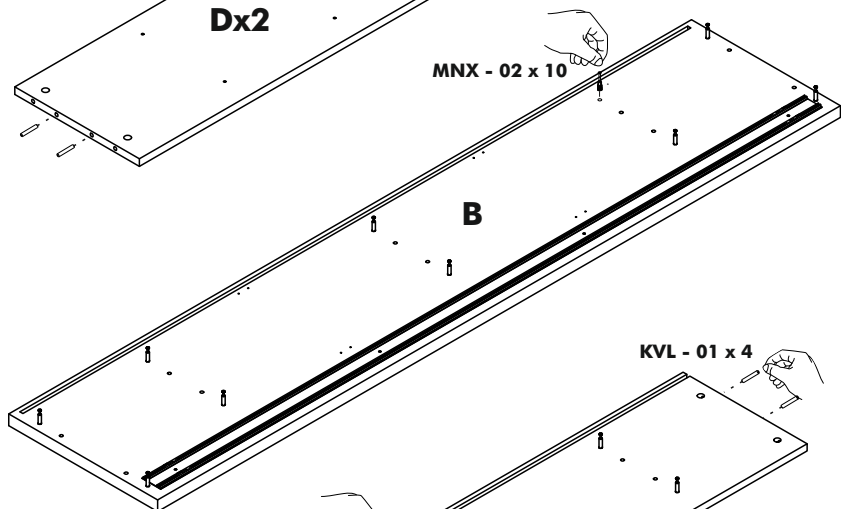
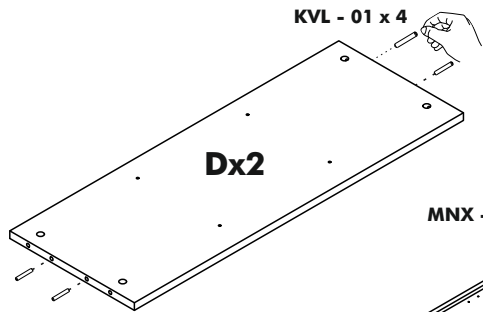
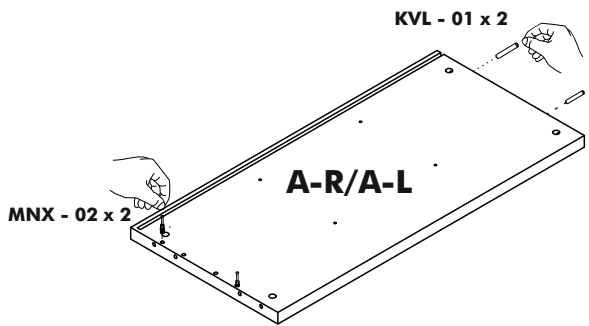
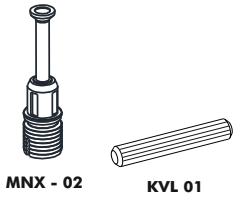
Track Title	Piece	(inch)			(mm)			
		Thickness	Length	Width	Piece	Thick	Height	Most
A-R / A-L	2	1,18	36,06	17,32	2	30	916	440
B	1	1,18	79,61	17,36	1	30	2022	441
C	1	0,71	77,17	14,29	1	18	1960	363
D	2	0,71	35,35	13,39	2	18	898	340
E	1	0,71	35,35	13,39	1	18	898	340
F	4	0,71	11,89	13,19	4	18	302	335
H	4	0,31	35,98	19,41	4	8	914	493
K	1	0,71	35,63	38,98	1	18	905	990
L	1	0,71	35,63	38,98	1	18	905	990

Accessories List

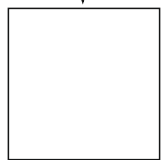
 MNX 02 20 / piece TAP - 01	 MNX - 04 (98mm) 4 / piece VD - 02 (3,5x25) mm	 KVL 01 24 / piece AVT - 01	 MNG - 01 24 / piece VD - 03 (3,5x18) mm
 ALB-M50 1 / piece DD - 01 (R10)	 ALB-M03 8 / piece DSE - 01 (40x90x32) mm	 KPG - 01 2 / piece TFC - 01(8x70) mm	 PL - 02 (8x22x1) mm 2 / piece VTB - 01 (4,8x16) mm
 AF - 01 2 / piece AF - 01	 BO - 01 2 / piece BO - 01	 PM - 01 2 / piece PM - 01	 H 01 8 / piece H 01
 AF - 01 4 / piece	 BO - 01 2 / piece	 PM - 01 16 / piece	 H 01 2 / piece



STEP 1

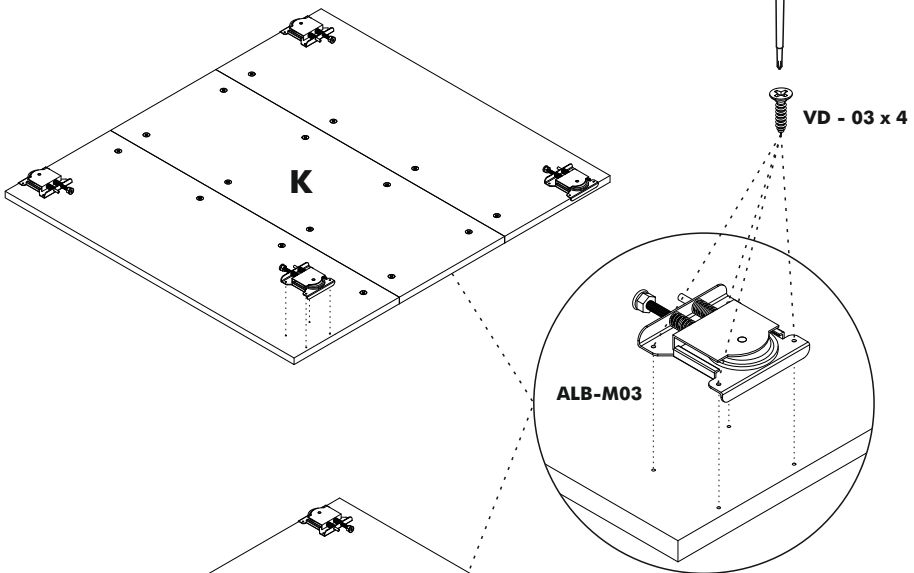


VIDEO

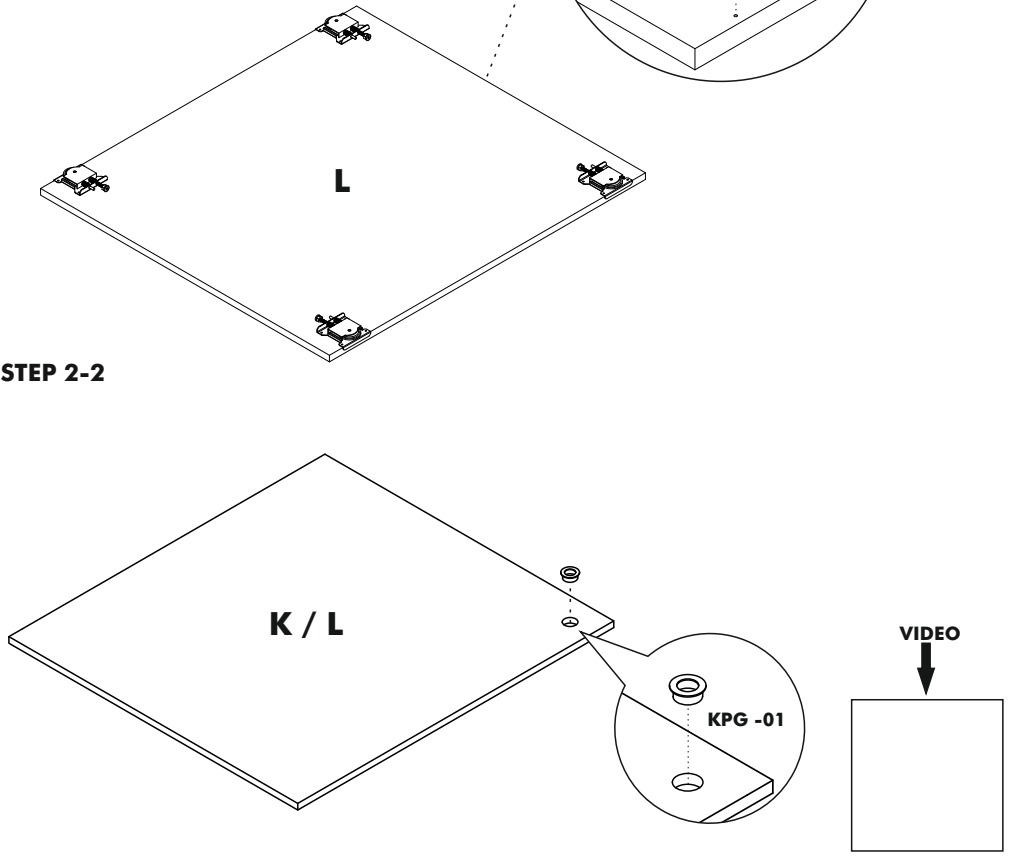


link

STEP 2-1



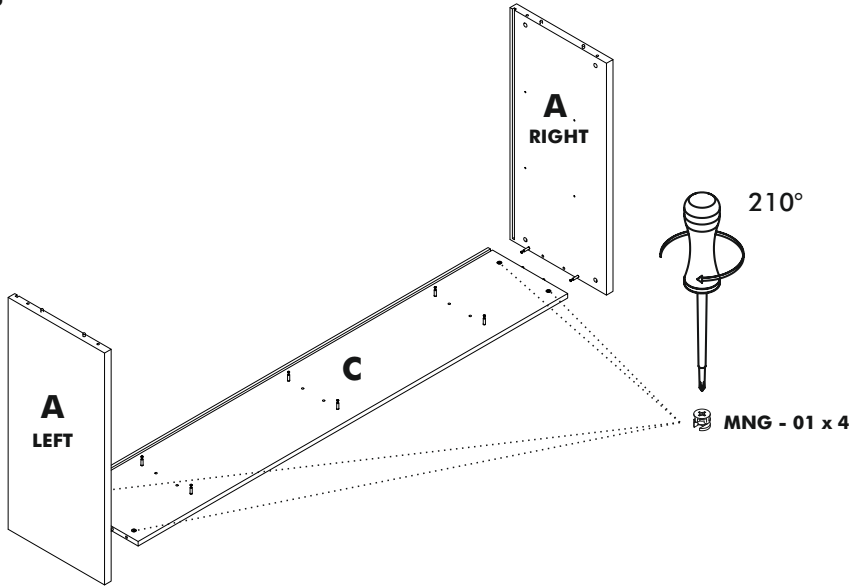
STEP 2-2



STEP 3



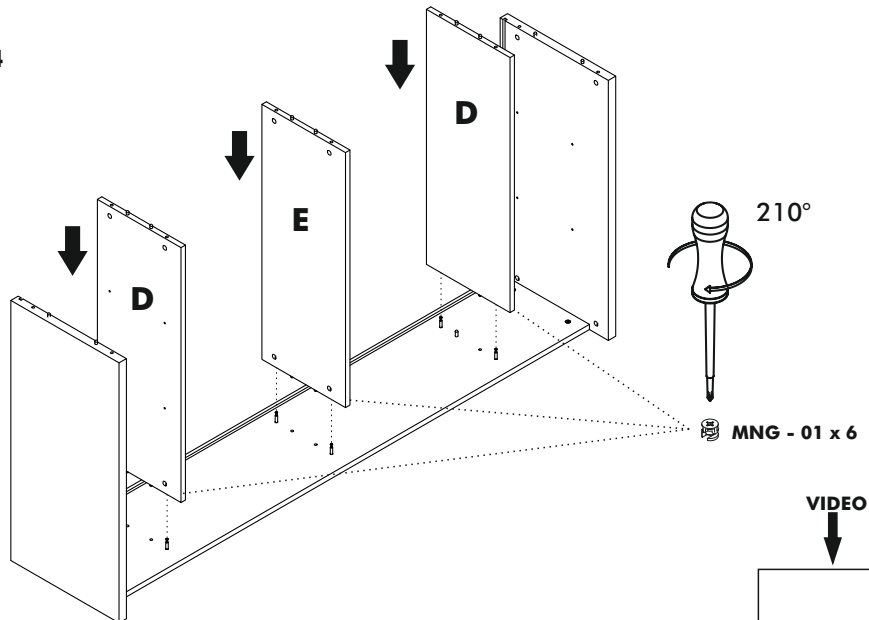
MNG - 01



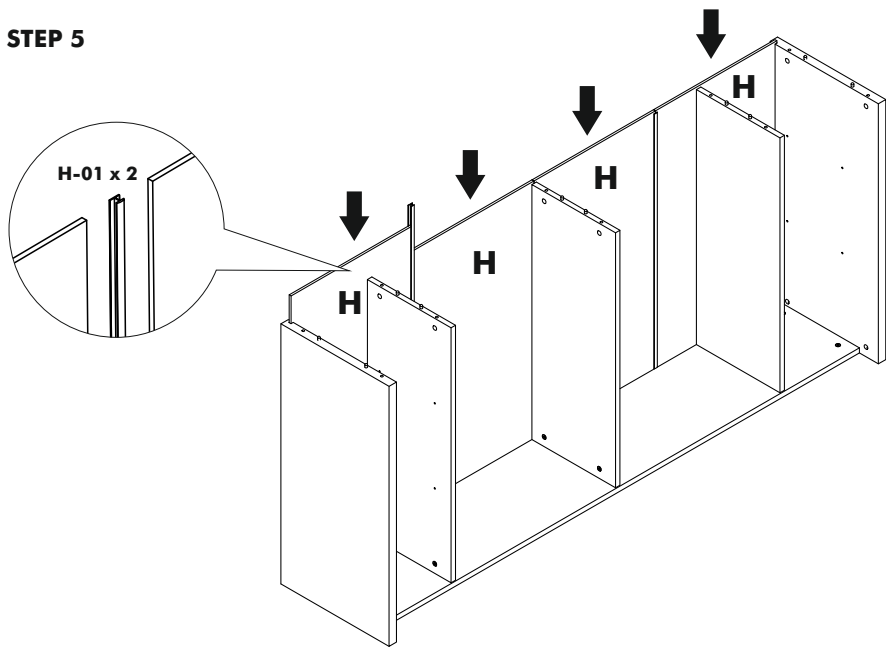
STEP 4



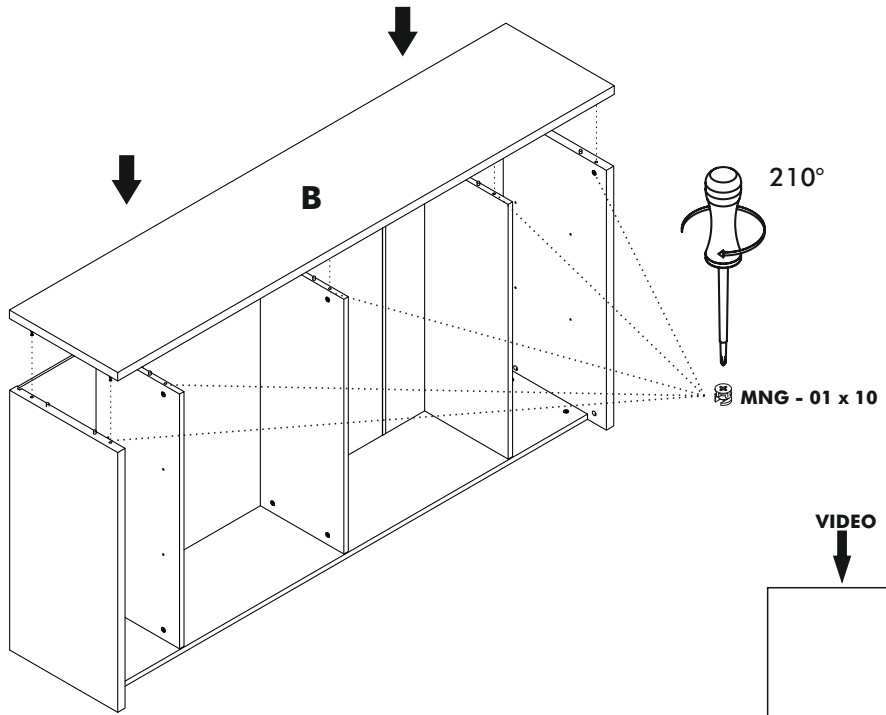
MNG - 01



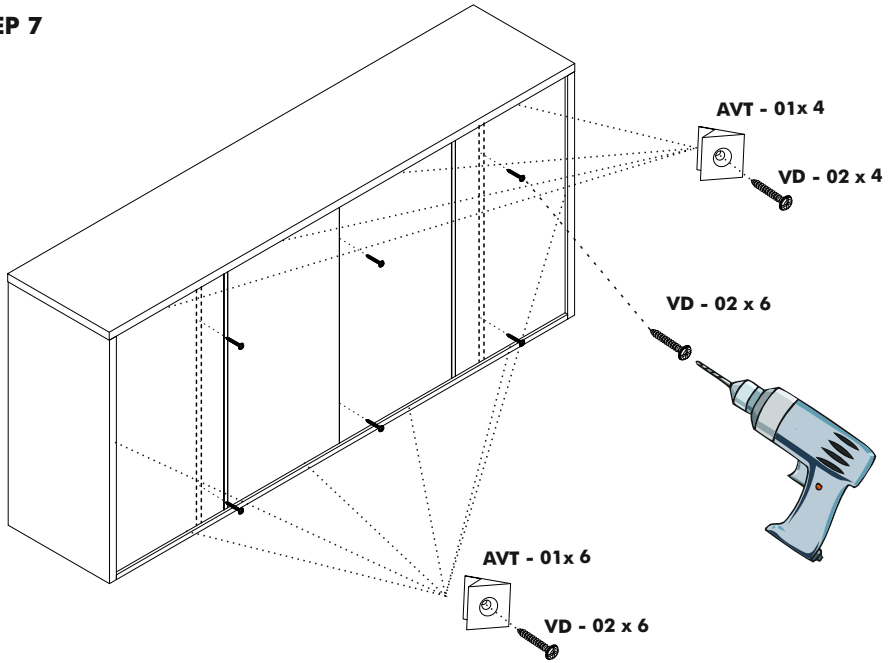
STEP 5



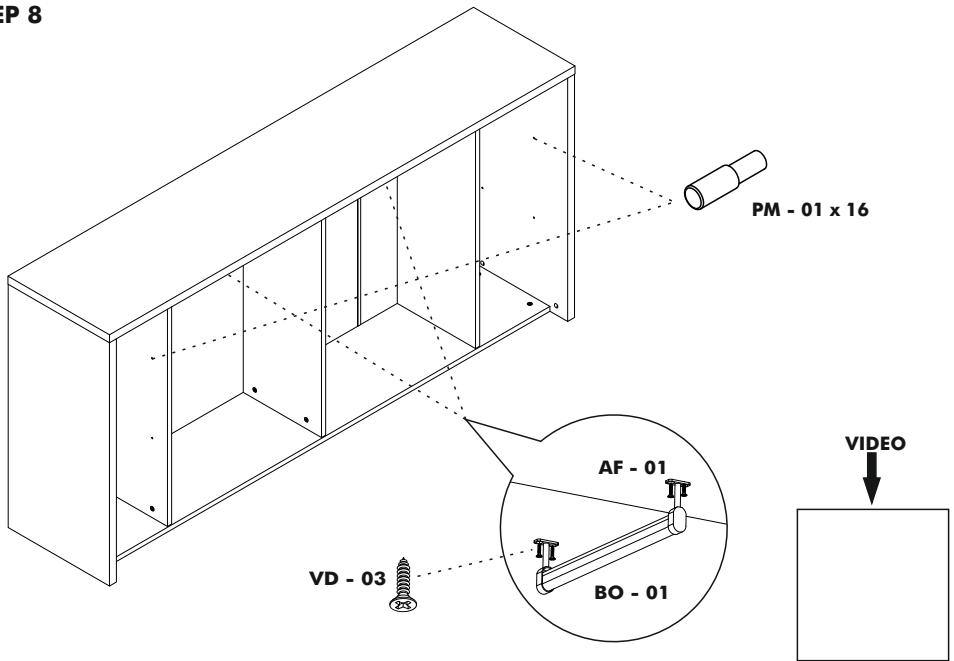
STEP 6



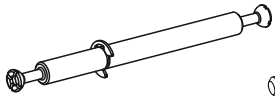
STEP 7



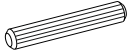
STEP 8



STEP 9



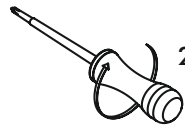
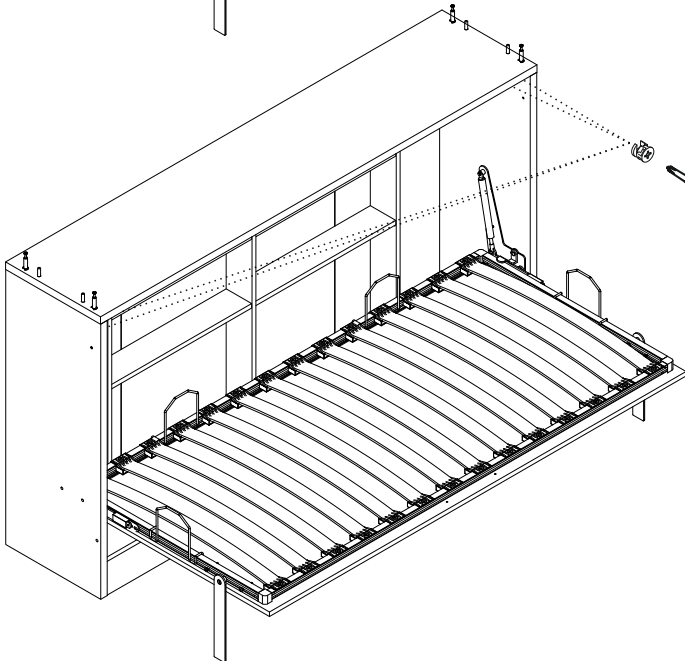
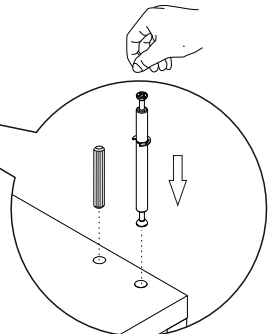
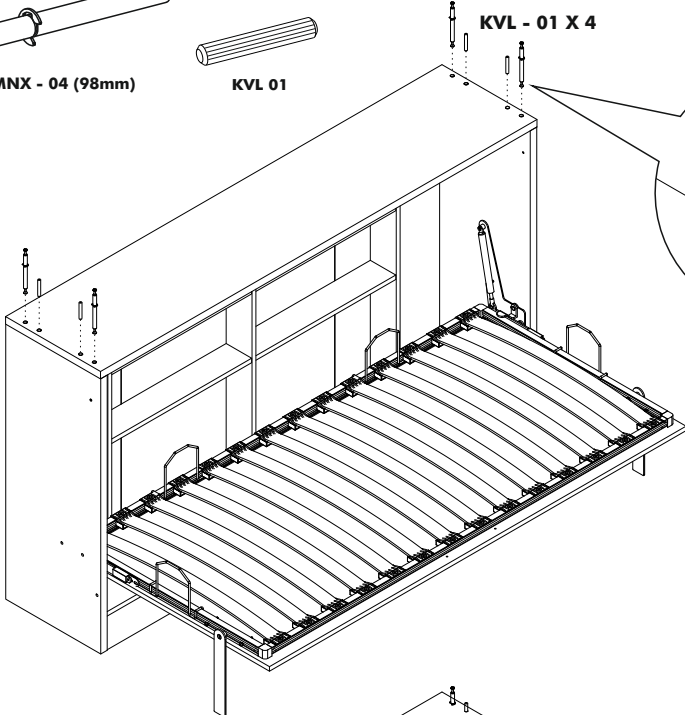
MNX - 04 (98mm)



KVL 01

MNX - 04 X 4

KVL - 01 X 4



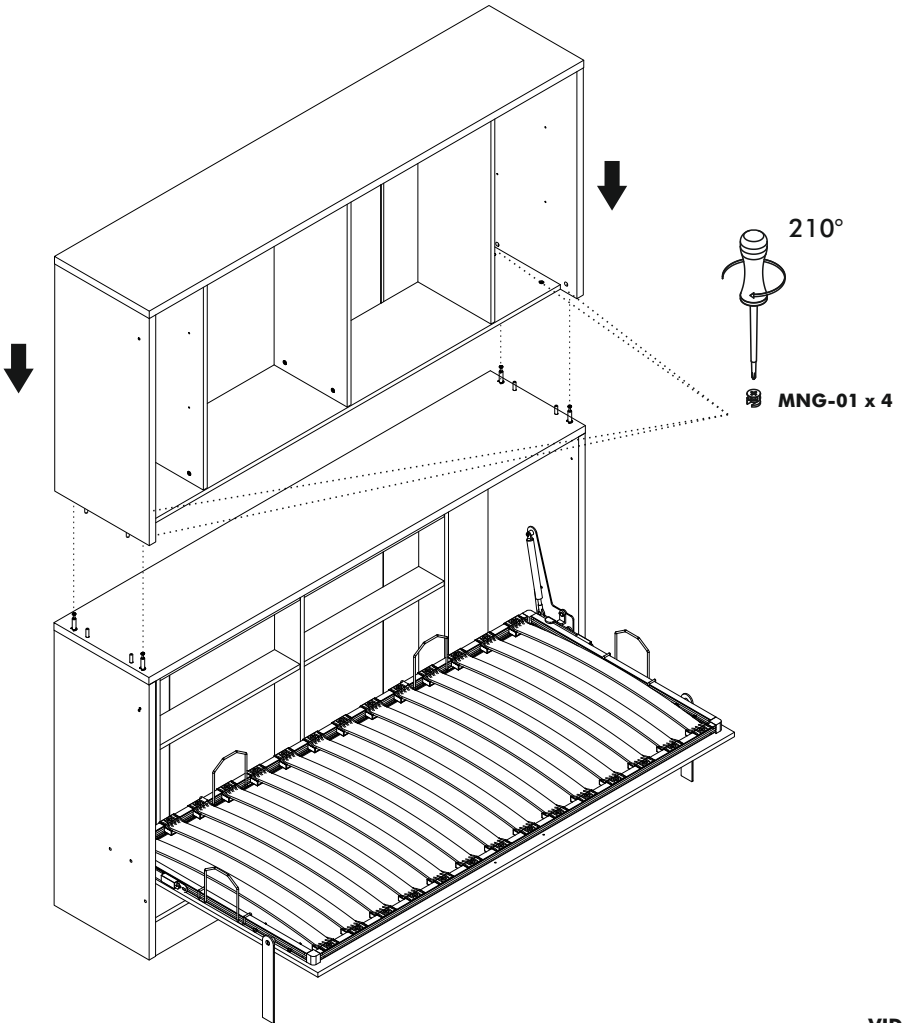
210°

VIDEO

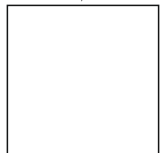


link

STEP 10

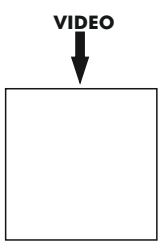
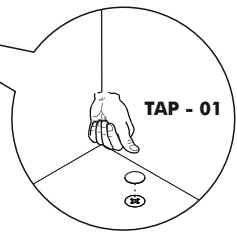
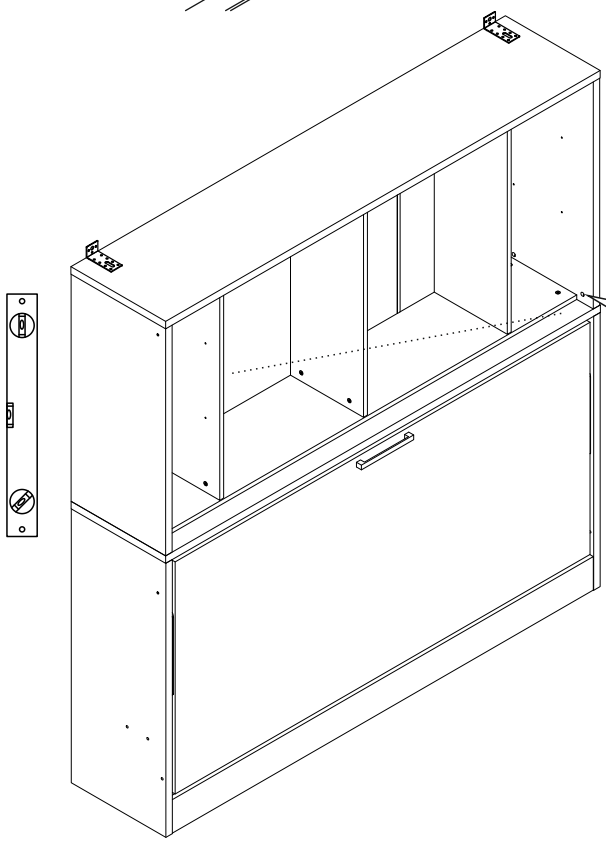
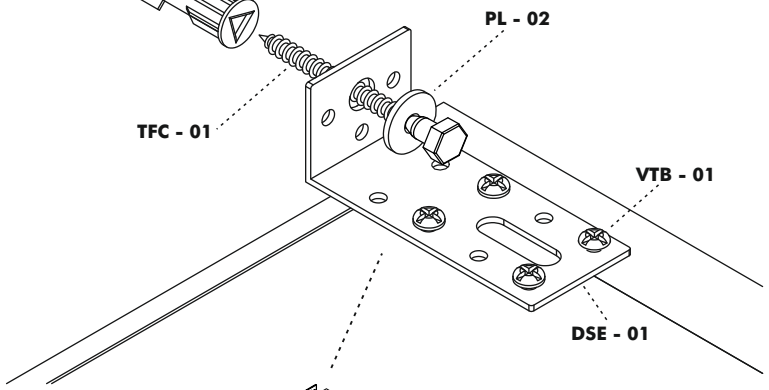
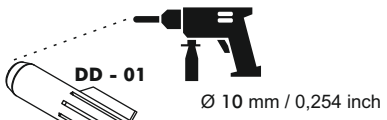


VIDEO

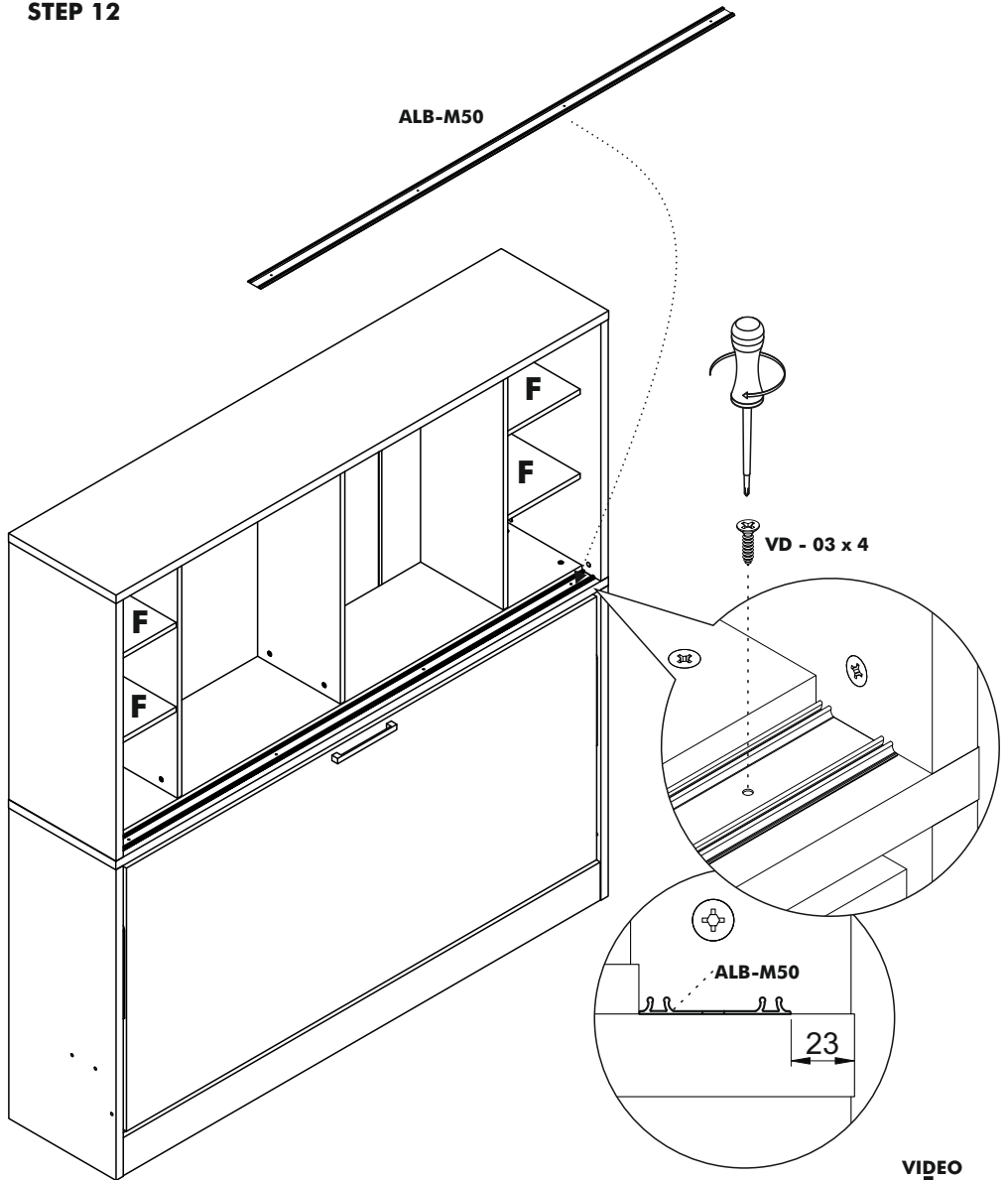


link

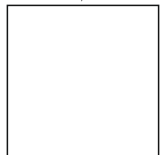
STEP 11



STEP 12

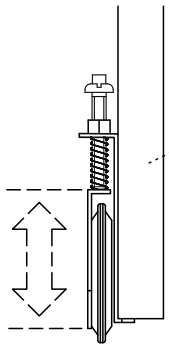
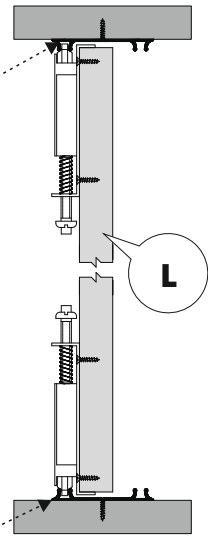
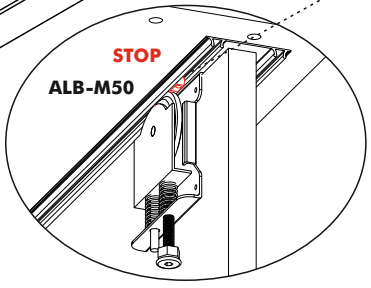
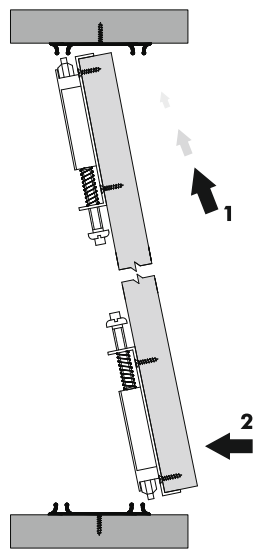
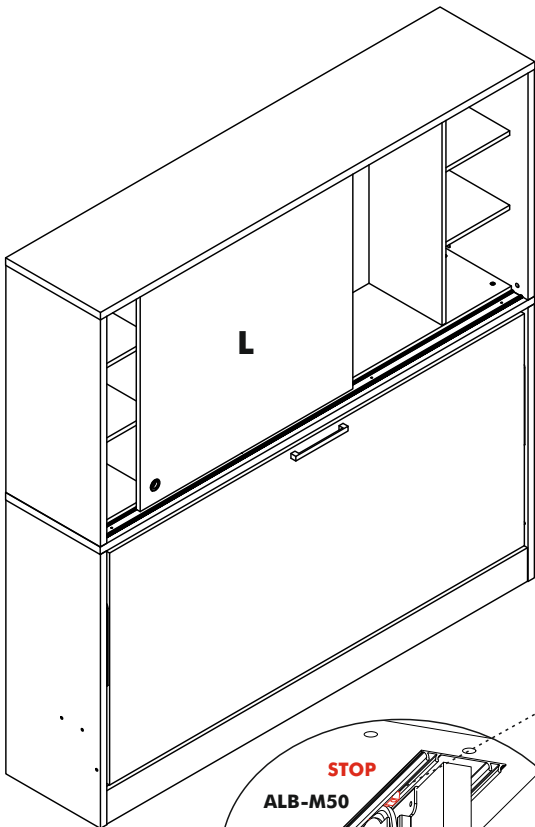


VIDEO

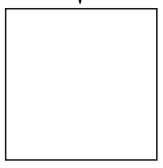


link

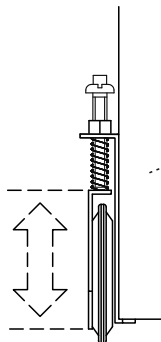
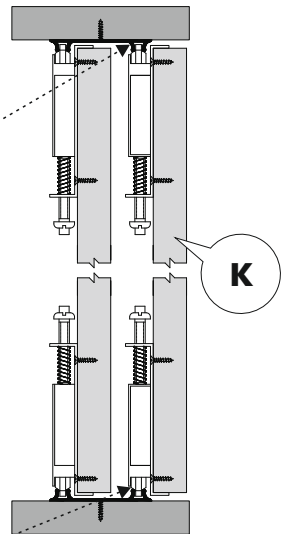
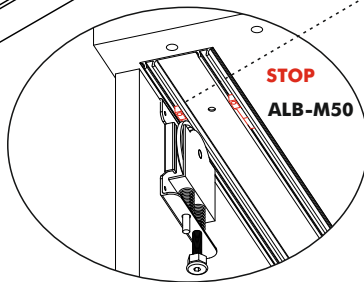
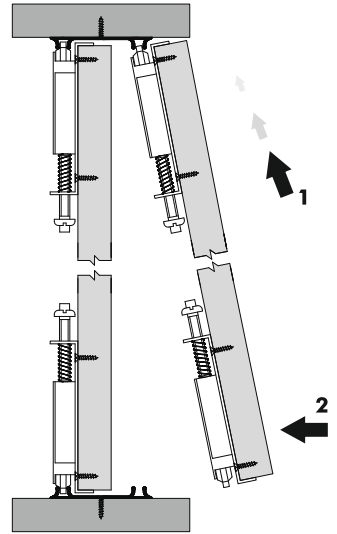
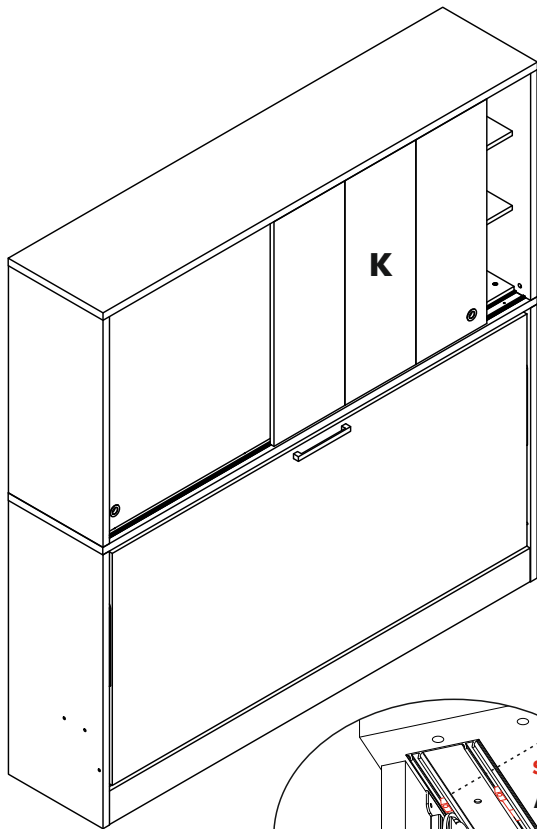
STEP 13



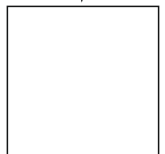
VIDEO



STEP 14



VIDEO



ATTENTION / HOW TO / READ ME / OWNER'S GUIDE

1. When mounting on a regular drywall, furniture must be fastened to wood or metal studs. Solid walls made of brick, concrete or similar strong material are also acceptable. Do not mount furniture to paper-mache or sheet rock like material without properly attaching to stud.
2. For safety and product longevity you must periodically inspect the mounting and mechanical connections for integrity and tightness. Confirm hardware remains properly affixed and connections snug.
3. Wall Bed mattress thickness may not exceed 8 inch. Take care to remove pillows and excess blankets before closing. Doing so keeps mechanism free of obstruction and unnecessary stress.
4. Do not lean or rest heavy objects on side or top of furniture. This may cause balance issues and compromise the integrity of your mounting connections.
5. Please use the furniture's beds, desks and shelving as intended. Not designed to be sat, stood, leaned, jumped (etc) on. Improper use may cause personal injury and damage to property.
6. With seasonal humidity change you must inspect interior and exterior of furniture.
7. Single, Twin, Twin XL beds accommodate the weight of one person. Improperly sleeping more than one person risks injury to person and damage to property.
8. Before any un-mounting or disassembly please contact Multimo for technical support and instruction. Failure to properly detach risks injury to person and damage to property.
9. For Bunk Beds:
 - a. Always use provided ladder when accessing top bunk.
 - b. Be slow, careful and aware of surroundings when opening top bunk.
 - c. Do not horseplay. Beds are to be slept on only.
 - d. Some have legs that fully extend when open- be aware of where the leg is and will be.



MULTiMO

www.multimo.com